

# 5800

## HIGH CONTRAST TEXT, LOGOS AND BARCODES RIGHT CODE ON THE RIGHT CASE

### Touch Dry® High Resolution Inkjet Coders

5000 Series high resolution inkjet coders are designed to rapidly fill and jet Touch Dry® hot melt inks which are solvent-free, safe to handle and environmentally friendly. Codes never bleed or fade, dry on contact and are 100% readable. **Intelli'Wax** printheads combined with our exclusive **Intelli'Dark** Touch Dry ink produce the darkest, consistently scannable, direct print codes in the industry.

### Improved productivity

- **Less Downtime**  
The 5000 Series with **Intelli'Wax** printheads improves productivity by enabling operators to replenish ink without stopping the production line.
- **Designed for efficiency**  
Uncomplicated menu structure combined with easy to navigate touch screen user interface results in faster job changes and effortless operation.
- **Less operator intervention**  
Our solventless, ink and autopurge technology reduce operator maintenance.



Compact controller box provides smaller footprint without umbilicals

### Enhanced performance

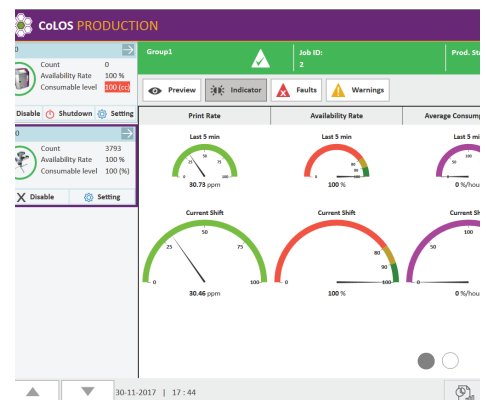
- **GS1-128 codes**  
Improve direct print images on corrugate with **Intelli'Dark** for higher contrast barcodes with improved scannability. Markem-Imaje offers the highest optical density ink to achieve C-grade GS1-128 barcodes.
- **Patented Touch Dry® hot melt inks**  
Print on a wide range of substrates and in environments ranging from 0 to 40 °C., a much wider range of inks than competitive printers.
- **High quality codes faster**  
Large drop volume at high frequency provides reliable printing at speeds up to 121 meters/minute (barcodes).



Lower your total cost of ownership, TCO, while achieving GS1-128 compliant barcodes

### Increased flexibility

- **Easier line integration**  
Multiple jetting orientations; single side, opposite side, side (up to 30° tilt angle for inclined conveyors), and top printing and smaller overall footprint.
- **Equipped for your application**  
Product configuration options include scanners, cameras, encoders, printhead slide assemblies, and stands.
- **Connect to your ERP**  
With CoLOS® software the 5800 can be integrated with production lines, databases, or ERP systems to automatically populate image designs.



Manage and monitor your entire printing operation via a single CoLOS dashboard

# 5800 - Specifications

## Print features

- Printhead dpi
  - Vertical dpi: 200
  - Addressable jets: 256
  - Nozzles: 512

Print Density	DPI - Ink Drops per Inch	Typical Speed (m/min)	Maximum Speed* (m/min)
1	150 x 200	121.9	172
2	300 x 200	61	86
3	450 x 200	40.6	57
4	600 x 200	30.5	43
5	750 x 200	24.4	34

- Print densities available: 1 to 8
- Encoder scaling: Allows for conveyor line speed matching and for higher print speeds with a reduction in the print resolution
- Print area: Maximum/printhead print height: 65 mm (2.56") Print length: 3,000 mm (39.3")
- Print specification: Full true type fonts supported
- Printing of real-time clock (hr/min/sec), dates and auto updating best before dates and serial numbers
- Barcodes (Linear and 2D): ITF, Code 39, Code 128, EAN 128, EAN 8, EAN 13, UPC A, UPC E, Data Matrix, RSS linear, RSS composite, QR, RSS 14, RSS expanded, PDF 417

## Operations

- 5800: Up to two printheads or 2 - 5800s in parent-child mode provide up to four printheads
- User interface: Color LCD touch screen used for image selection, variable data entry, diagnostics and system setup.
- Selectable multi-language menus
- Image preview
- Access level password protection
- Full system diagnostic menu
- Printhead orientations: Vertical or up to 30° in process direction
- Software:
  - CoLOS® Create image design software included
  - CoLOS® Create Pro (Optional)
  - CoLOS® Enterprise for networking (Optional)
- Encoder options:
  - Internal: For fixed conveyor speed printing
  - External: For optimizing print quality Recommended for barcode printing
- Photo-edge sensors: Print (trigger) signal and a maximum of two per system
- Software interface:
  - USB for downloading images, settings and data files
  - Ethernet (including web user interface)
  - Communications protocols for PCs, PLCs and packaging machines
  - Compatible with Weihenstephan standard
- Hardware outputs: (3) Fault relay
- Ink replenishment: User prompted to add ink; can be filled without the need to suspend printing
- Interfaces: Hand held product select scanner

## Other characteristics

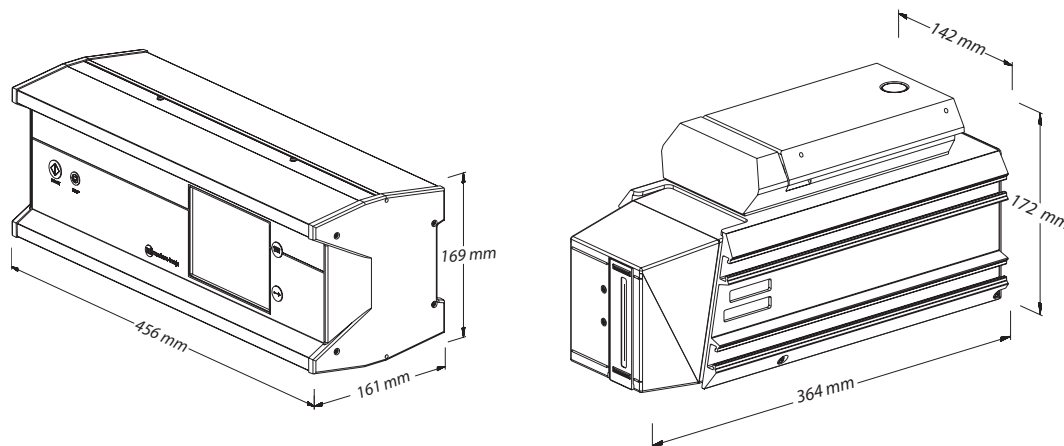
- Weight: Printhead: 7.2 kg Control box: 11.2 kg
- Touch Dry® hot melt inks: Available in various series, colors
- Electrical and environmental: 100-240 V, 50-60 Hz.

System	Measured operating power	Peak power during warm-up
1 head	150 watts	600 watts
2 heads	250 watts	600 watts
3 head	400 watts	600 watts
4 heads	500 watts	600 watts

- FCC Part 5 Subpart B, ICES 003; UL STD 62368-1; Certified to CSA STD C22.2 # 62368-1; ETL mark for USA, Canada; CE: EMC directive 2014/30/EU, Machinery directive 2006/42/EC
- Operating environment of 0 to 40 °C (32 to 104 °F). IP42 (controller only)
- Manuals: Instruction manual and CD-ROM User Guide (includes spare parts, options, and accessories catalog)
- Local language versions for the color user interface
- Regional telephone technical and product support,
- Web site technical and product support

## Options

- Printhead slide assembly
- Signal tower assembly
- Post print barcode scanner assembly
- TU Look-up assembly
- Optional expansion unit (OEU) - support 11 inputs, 8 outputs and 1 additional scanner port
- Printer service kits
- Preventive maintenance kits and contracts
- On-site product and tech support



We reserve the right to amend the design and/or specifications of our products without notice.  
©2019 Markem-Imaje Corporation. All rights reserved

Markem-Imaje  
Global Sales & Marketing Division  
9, rue Gaspard Monge  
B.P. 110  
26501 Bourg-lès-Valence Cedex France  
Tél. : +33 (0) 4 75 75 55 00  
Fax : +33 (0) 4 75 82 98 10



To learn more, visit [www.markem-imaje.com](http://www.markem-imaje.com)