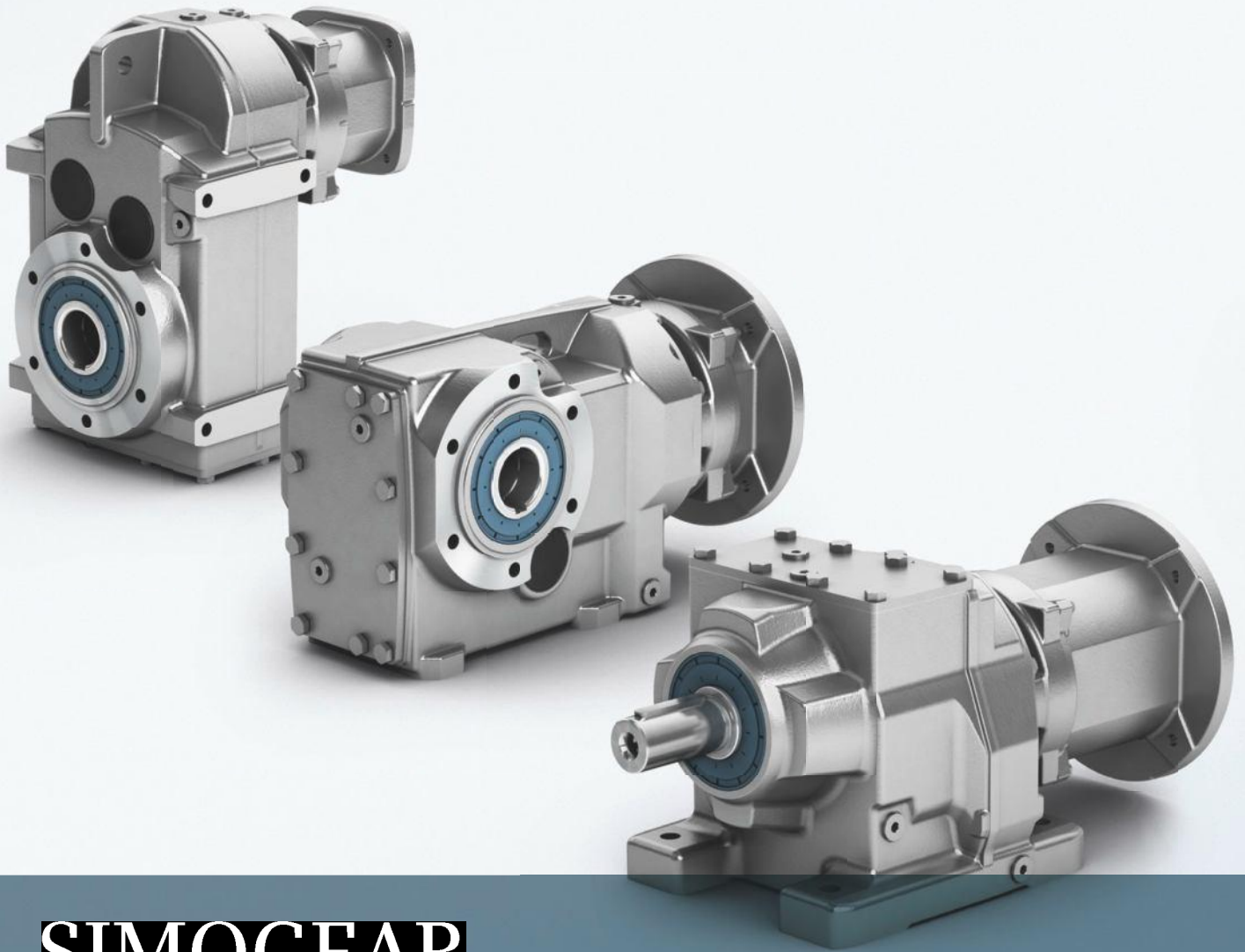


SIEMENS



SIMOGEAR

Gearboxes with adapter

Mounting of IEC, NEMA and servo motors



Catalog
MD 50.11

Edition
2015

Introduction

Orientation

Overview

Gearboxes

SIMOGEAR gearboxes are available as helical, parallel shaft, bevel, helical worm and worm gearboxes.

State-of-the-art production technology and improved testing methods ensure the highest degree of quality and reliability.

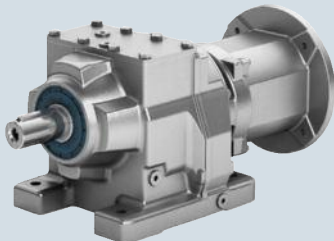
Gearbox type	Gearbox designation	Number of sizes	Maximum output torque	Transmission ratio	Maximum motor power ¹⁾
			T_{2N} Nm	i -	P_1 kW
Helical gearbox					
	Z29 ... Z189 (2-stage)	12	100 ... 19 000	3.4 ... 57	200
	D29 ... D189 (3-stage)	12	100 ... 19 000	36 ... 328	200

Fig. 1/1 Helical gearboxes D/Z

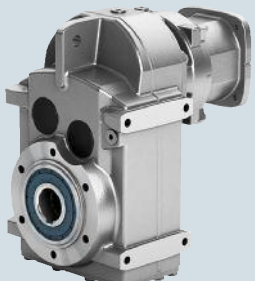
Parallel shaft gearbox					
	FZ29 ... FZ189 (2-stage)	11	150 ... 19 000	4 ... 48	200
	FD29 ... FD189 (3-stage)	11	150 ... 19 000	58 ... 377	200

Fig. 1/2 Parallel shaft gearboxes FD/FZ

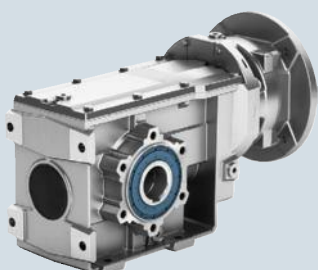
Bevel gearboxes					
	B29 ... B49 (2-stage)	3	50 ... 450	3.6 ... 59	9.2

Fig. 1/3 Bevel gearbox B

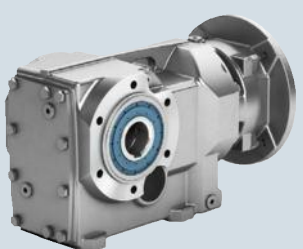
	K39 ... K189 (3-stage)	10	150 ... 19 500	5.7 ... 237	200

Fig. 1/4 Bevel gearbox K

¹⁾ With 4-pole motor for a 50 Hz line frequency

Introduction

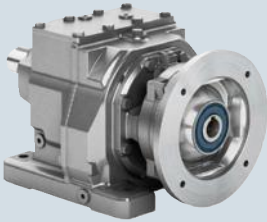
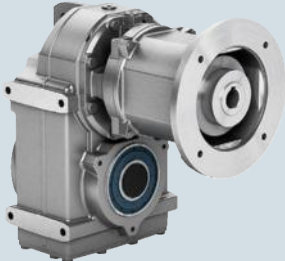
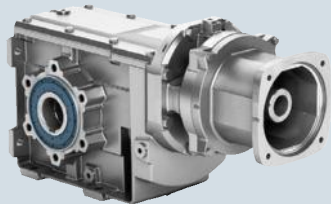
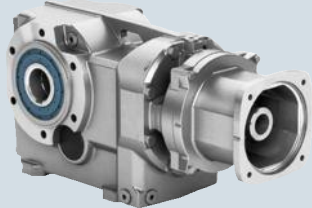
Orientation

Overview

Adapters

With directly mounted, highly efficient motors from the LE range, SIMOGEAR offers a broad spectrum of geared motors for the most common drive applications.

Gearboxes of size 29 and larger can be supplied with a variety of mounting adapters which allow the attachment of motors from virtually all Siemens motor ranges in order to meet the requirements of special applications.

Adapters	Field of application	Options		
		Backstop	Slip clutch with proximity switch	Condensation drain hole
Adapters for mounting an IEC motor				
K4 Short adapter with plug-in connection				
	<ul style="list-style-type: none"> • Universal solution • Short design 			
K2 Coupling adapter with flexible coupling				
	<ul style="list-style-type: none"> • Rugged solution • Harsher environmental conditions • Torsionally flexible cam coupling 	✓	✓	✓
Adapters for mounting a servo motor				
KQ Coupling adapter for mounting a servo motor from the SIMOTICS S-1FK7/-1FT7 ranges				
	<ul style="list-style-type: none"> • Coupling adapter with feather key (KQ) • Coupling adapter without feather key (KQS) • Square shape • Zero-backlash coupling 			
K8 Coupling adapter with flexible coupling for mounting a servo motor from the SIMOTICS M-1PH8 range				
	<ul style="list-style-type: none"> • Square or round shape • Version for motor shafts with feather key • Zero-backlash coupling 			

Introduction

Guidelines for selection and ordering

Article No. code

Overview

The article number comprises a combination of digits and letters. To obtain a better overview, the article number is split up into three, hyphenated blocks.

Example:

2KJ3105-1EA04-0AS1+D01

The first block (data positions 1 to 7) designates the gearbox type; the second (data positions 8 to 12) designates the output shaft and the adapter type and size; and additional design characteristics are coded in the third block (data positions 13 to 16).

Structure of the article No.

Position of the article No.	1	2	3	4	5	6	7	-	8	9	10	11	12	-	13	14	15	16	-	Z	
SIMOGEAR geared motors																					
1st to 5th position:	Helical gearbox Z, 2-stage							2	K	J	3	1									
Digit, letter,	Helical gearbox D, 3-stage							2	K	J	3	2									
Letter, digit, digit	Parallel shaft gearbox FZ, 2-stage							2	K	J	3	3									
	Parallel shaft gearbox FD, 3-stage							2	K	J	3	4									
	Bevel gearbox B, 2-stage							2	K	J	3	5									
	Bevel gearbox K, 3-stage							2	K	J	3	5									
	Helical worm gearbox C, 2-stage							2	K	J	3	6									
	Worm gearbox S, single-stage							2	K	J	3	7									
6th to 7th position:	Gearbox size																				
Digit, digit																					
8th position:	Output shaft																				
Digit																					
9th position:	Motor size																				
Letter																					
10th position:	Performance indicator (customs tariff number) for gearbox without motor																				A
Letter																					
11th position:	Delivery without motor																				0
Letter																					
12th position:	Short adapter K4 with plug-in connection for mounting an IEC motor																				4
Digit, digit																					
	Coupling adapter K2 with flexible coupling for mounting an IEC motor																				2
	Coupling adapter KQ for mounting a servo motor from the SIMOTICS S-1FK7/-1FT7 ranges																				7
	Coupling adapter K8 for mounting a servo motor from the SIMOTICS M-1PH8 range																				8
	Short adapter K5 with plug-in connection for mounting a NEMA motor																				5
	Coupling adapter K3 with flexible coupling for mounting a NEMA motor																				3
13th position:	Frequency, voltage																				- 0
Digit																					
14th position:	Foot-mounted design																				A
Letter																					
	Foot/flange-mounted design																				B
	Torque arm																				D
	Flange-mounted design																				F
	Housing flange design																				H
15th to 16th position:	Transmission ratio																				
Letter, digit																					
Special designs																					
Coded	Order code required																				- Z
Non-coded	Plain text required																				

Ordering data

- Complete article No., with a **-Z** suffix, and order code(s) or plain text.
- If a quotation is available, please specify the quotation number in addition to the article No.
- When ordering a complete gearbox as a replacement unit, the serial number of the original gearbox must be specified.

To order the correct adapter design, the input speed of the gearbox and the motor power must be specified with order code Y00 and in plain text (see Table "Additional order codes").

Overview (continued)

Additional order codes

Information	Input speed in continuous operation	Input power Rated motor power
when ordering	rpm	kW
Order code	Y00	Y00
Plain text specification	Y00:*AND@input speed*	Y00:*ANL@input power*
Example of plain text specification	Y00:*AND@1450* (input speed 1 450 rpm)	Y00:*ANL@1.5* (input power 1.5 kW)
Information required	Always	Always

Ordering example

A helical geared motor is required:

- Gearbox type, size Z59
- Adapter type and size K4-90
- Input power 1.5 kW
- Input speed 1500
- Output speed 49, transmission ratio $i = 28.89$
- Solid shaft V35 x 70
- Mounting position M1

This results in the following article No. with order codes

Position of the article No.		1	2	3	4	5	6	7	8	9	10	11	12	13	14	15	16	Z	+	Order codes	Plain text specification				
Selection criteria	Requirements																								
Gearbox type, gearbox size	Helical gearbox Z, size 59	2	K	J	3	1	0	5	-	■	.	.	■	■	-	■	■	■	-	■	+	.	+	.	
Output shaft	Solid shaft V35 x 70	2	K	J	3	1	0	5	-	1															
Adapter size	Size 90	2	K	J	3	1	0	5	-	1	E	A													
Gearbox without motor		2	K	J	3	1	0	5	-	1	E	A	0												
Adapter type	K4 for mounting a standard IEC motor	2	K	J	3	1	0	5	-	1	E	A	0	4											
Voltage	Not relevant	2	K	J	3	1	0	5	-	1	E	A	0	4	-	0									
Mounting type	Foot-mounted design	2	K	J	3	1	0	5	-	1	E	A	0	4	-	0	A								
Transmission ratio	$i = 28.89$	2	K	J	3	1	0	5	-	1	E	A	0	4	-	0	A	S	1						
Mounting position	M1	2	K	J	3	1	0	5	-	1	E	A	0	4	-	0	A	S	1	-	Z	+	D01		
Input power, input speed	1.5 kW, 1 500 rpm	2	K	J	3	1	0	5	-	1	E	A	0	4	-	0	A	S	1	-	Z	+	D01	+	Y00
																									Y00:*ANL@1.5* *AND@1500*

Introduction

Guidelines for selection and ordering

Type designations

Overview

Type designation of the gearbox

Gearbox type	
Helical gearbox	-
Parallel shaft gearbox	F
Bevel gearbox, 2-stage	B
Bevel gearbox, 3-stage	K
Helical worm gearbox 2-stage	C
Worm gearbox, single-stage	S
Stage	
2-stage	Z
3-stage	D
Type	
Shaft	
Solid shaft	-
Hollow shaft	A
Plug-in shaft	E
Mounting	
Foot-mounted design	-
Foot/flange-mounted design	B
Flange-mounted design (A type)	F
Housing flange (C type)	Z
Torque arm	D
Connection	
Feather key / without feather key	-
Shrink disk	S
Splined shaft	T
SIMOLOC assembly system	R
Special features	
Reduced-backlash version	W

Type designation of the adapters

Adapters	
Short adapter with plug-in connection for mounting an IEC motor	K4
Coupling adapter with flexible coupling for mounting an IEC motor	K2
Coupling adapter for mounting a servo motor from the SIMOTICS S-1FK7/-1FT7 ranges	KQ
Coupling adapter for mounting a servo motor from the SIMOTICS M-1PH8 range	K8
Short adapter with plug-in connection for mounting a NEMA motor	K5
Coupling adapter with flexible coupling for mounting a NEMA motor	K3
Special features	
Backstop	X
Variant for coupling adapter KQ	
with feather key	-
without feather key	S

Example:

F	D	F	89	-	K4	X	(132)
↓	↓	↓	↓	↓	↓	↓	↓
(1)	(2)	(3)	(4)	(5)	(6)	(7)	

- (1) Gearbox type
- (2) Stage
- (3) Mounting
- (4) Gearbox size
- (5) Adapter
- (6) Backstop
- (7) Motor size

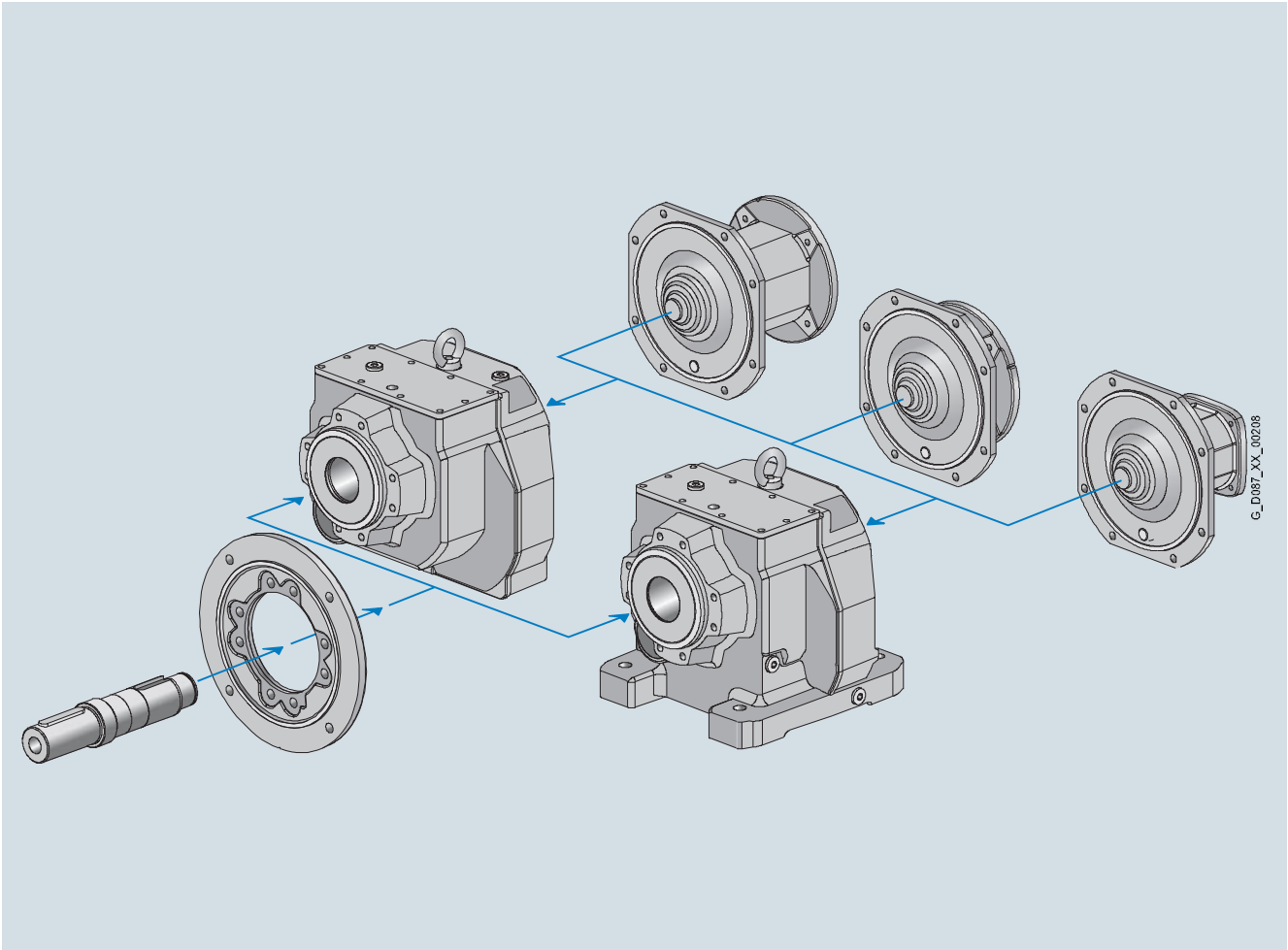
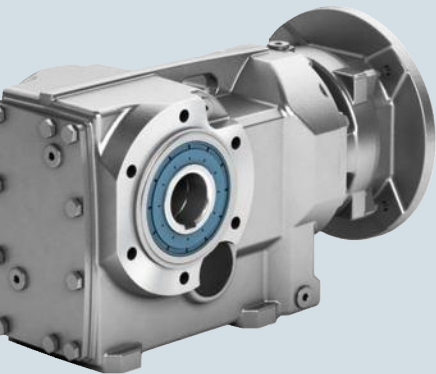
Overview**Helical gearbox**

Fig. 1/10 Modular system, helical gearbox

SIMOGEAR helical gearboxes are available in the following versions for mounting in any position:

- 2 or 3 stages
- Foot-mounted design
- Flange-mounted design
- Design with integrated housing flange
- Combined foot/flange-mounted design
- Solid shaft design with and without feather key

Bevel Gearboxes

**5/2 Orientation****5/3 Transmission ratios and torques**

Selection and ordering data

5/16 Dimensions

Dimensional drawing overview

Bevel gearbox with adapter K4

5/19	B..29
5/20	B.F.29
5/21	B.Z.29
5/22	BAD.29
5/23	B..39
5/24	B.F.39
5/25	B.Z.39
5/26	BAD.39
5/27	B..49
5/28	B.F.49
5/29	B.Z.49
5/30	BAD.49
5/31	K..39
5/32	K.F.39
5/33	K.Z.39
5/34	KAD.39
5/35	K..49
5/36	K.F.49
5/37	K.Z.49
5/38	KAD.49
5/39	K..69
5/40	K.F.69
5/41	K.Z.69
5/42	KAD.69
5/43	K..79
5/44	K.F.79
5/45	K.Z.79
5/46	KAD.79
5/47	K..89
5/48	K.F.89
5/49	K.Z.89
5/50	KAD.89
5/51	K..109
5/52	K.F.109
5/53	K.Z.109
5/54	KA.109
5/55	K..129
5/56	K.F.129
5/57	K.Z.129
5/58	KAD.129
5/59	K..149
5/60	K.F.149
5/61	K.Z.149
5/62	KAD.149
5/63	K..169
5/64	K.F.169
5/65	K.Z.169
5/66	KAD.169
5/67	K..189
5/68	K.F.189
5/69	K.Z.189
5/70	KAD.189

Bevel gearbox with adapter K2

B..29 bis B..49 und K..39 bis K..189

5/74 Dimensions (continued)Bevel gearbox with adapter KQ

5/74	B..29
5/75	B.F.29
5/76	B.Z.29
5/77	BAD.29
5/78	B..39
5/79	B.F.39
5/80	B.Z.39
5/81	BAD.39
5/82	B..49
5/83	B.F.49
5/84	B.Z.49
5/85	BAD.49
5/86	K..39
5/87	K.F.39
5/88	K.Z.39
5/89	KAD.39
5/90	K..49
5/91	K.F.49
5/92	K.Z.49
5/93	KAD.49
5/94	K..69
5/95	K.F.69
5/96	K.Z.69
5/97	KAD.69
5/98	K..79
5/99	K.F.79
5/100	K.Z.79
5/101	KAD.79
5/102	K..89
5/103	K.F.89
5/104	K.Z.89
5/105	KAD.89
5/106	K..109
5/107	K.F.109
5/108	K.Z.109
5/109	KA.109
5/110	K..129
5/111	K.F.129
5/112	K.Z.129
5/113	KAD.129
5/114	K..149
5/115	K.F.149
5/116	K.Z.149
5/117	KAD.149
5/118	K..169
5/119	K.F.169
5/120	K.Z.169
5/121	KAD.169
5/122	K..189
5/123	K.F.189
5/124	K.Z.189
5/125	KAD.189

Bevel gearbox with adapter KQS
B..29 bis B..49 und K..39 bis K..189

Bevel gearbox with adapter K8
B..39 bis B..49 und K..39 bis K..189

Bevel gearbox with adapter K5
B..29 bis B..49 und K..39 bis K..189

Bevel gearbox with adapter K3
B..29 to B..49 and K..39 to K..189

5/134 SIMOLOC assembly system

5/136 Protection cover for hollow shaft

5/137 Inner contour of the flange design

5/139 Pin holes

SIMOGEAR Gearboxes

Bevel gearboxes

Orientation

SIMOGEAR bevel gearbox B

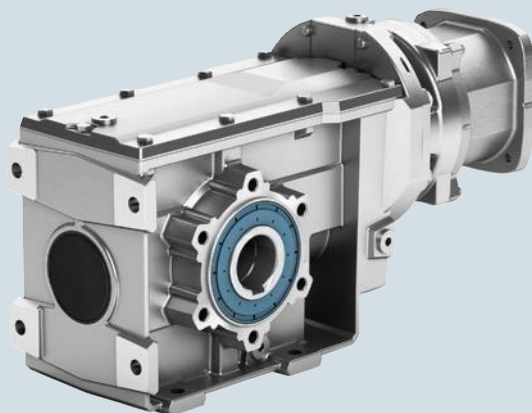


Fig. 5/1 Bevel gearbox B

Gearbox designation	Number of sizes	Maximum output torque	Transmission ratio	Maximum motor power
		T_{2N} Nm	i -	P_1 kW
B29 ... B49 (2-stage)	3	50 ... 450	3.5 ... 59	9.2

SIMOGEAR bevel gearbox K

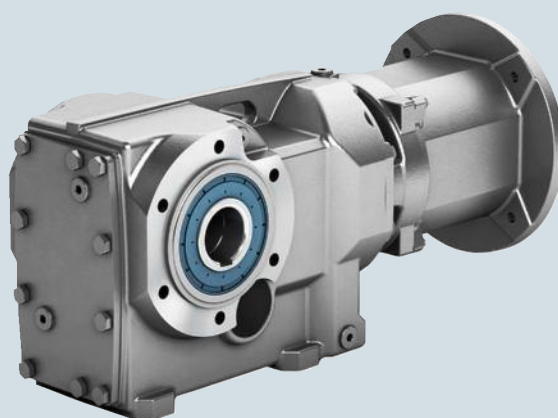


Fig. 5/2 Bevel gearbox K

Gearbox designation	Number of sizes	Maximum output torque	Transmission ratio	Maximum motor power
		T_{2N} Nm	i -	P_1 kW
K39 ... K189 (3-stage)	10	150 ... 19 500	5.7 ... 237	200

SIMOGEAR bevel gearboxes are available in the following versions for mounting in any position:

- 2 or 3 stages
- Shaft-mounted design with torque arm
- Flange-mounted design
- Design with integrated housing flange
- Foot-mounted design
- Hollow-shaft design with feather key, splined shaft or shrink disk
- Solid shaft design with and without feather key (at one end or both ends)

For 2-stage bevel gearboxes B, the torque arm is supplied loose to enable it to be mounted as required on site. The position of the torque arm can be freely selected.

Selection and ordering data (continued)

Gearbox							Adapter													Article No.				
i	n_2	T_{2N}	F_{R2}	ϕ^1	J_G	R_{ex}	K4	63	71	80	90	100	112	132	160	180	200	225	250					(Article No. supplement → below)
-	rpm	Nm	N	'	10^{-4}	-	K2			80	90	100	112	132	160	180	200	225	250	280	315			
							KQ	703	704	706	708		710											
							K8						808	810	813		816	818		822				
							K5	56		140	180	210		250	280		320	360						
							K3	56		140	180	210		250	280		320	360						

B.29

46.85	31	110	4 130	13	0.04	1265/27	✓	✓															2KJ3501 - ■ ■ A 0 ■ - 0 ■ B2
41.56	35	110	4 130	13	0.05	374/9	✓	✓	✓														2KJ3501 - ■ ■ A 0 ■ - 0 ■ A2
36.06	40	110	4 130	13	0.06	649/18	✓	✓	✓														2KJ3501 - ■ ■ A 0 ■ - 0 ■ X1
32.78	44	110	4 130	13	0.07	295/9	✓	✓	✓	✓													2KJ3501 - ■ ■ A 0 ■ - 0 ■ W1
28.11	52	110	4 130	13	0.09	253/9	✓	✓	✓	✓													2KJ3501 - ■ ■ A 0 ■ - 0 ■ V1
25.56	57	110	4 130	13	0.11	230/9	✓	✓	✓	✓													2KJ3501 - ■ ■ A 0 ■ - 0 ■ U1
22.41	65	110	4 130	14	0.13	605/27	✓	✓	✓	✓	✓												2KJ3501 - ■ ■ A 0 ■ - 0 ■ T1
20.00	72	110	4 130	14	0.16	20/1	✓	✓	✓	✓	✓												2KJ3501 - ■ ■ A 0 ■ - 0 ■ S1
17.82	81	110	4 130	14	0.19	1925/108	✓	✓	✓	✓	✓												2KJ3501 - ■ ■ A 0 ■ - 0 ■ R1
16.45	88	110	4 130	14	0.23	1925/117	✓	✓	✓	✓	✓												2KJ3501 - ■ ■ A 0 ■ - 0 ■ Q1
14.40	101	110	4 020	14	0.28	605/42	✓	✓	✓	✓	✓												2KJ3501 - ■ ■ A 0 ■ - 0 ■ P1
12.63	115	110	3 800	14	0.27	341/27	✓	✓	✓	✓	✓												2KJ3501 - ■ ■ A 0 ■ - 0 ■ N1
11.46	127	110	3 650	15	0.38	275/24	✓	✓	✓	✓	✓												2KJ3501 - ■ ■ A 0 ■ - 0 ■ M1
10.78	135	110	3 560	15	0.44	550/51	✓	✓	✓	✓	✓												2KJ3501 - ■ ■ A 0 ■ - 0 ■ L1
9.51	152	110	3 370	14	0.50	770/81	✓	✓	✓	✓	✓												2KJ3501 - ■ ■ A 0 ■ - 0 ■ K1
8.25	176	110	3 170	14	0.67	33/4	✓	✓	✓	✓	✓												2KJ3501 - ■ ■ A 0 ■ - 0 ■ J1
7.84	185	75	3 350	20	0.41	345/44	✓	✓	✓	✓	✓												2KJ3501 - ■ ■ A 0 ■ - 0 ■ H1
7.38	196	75	3 270	20	0.48	1380/187	✓	✓	✓	✓	✓												2KJ3501 - ■ ■ A 0 ■ - 0 ■ G1
6.51	223	75	3 100	19	0.54	644/99	✓	✓	✓	✓	✓												2KJ3501 - ■ ■ A 0 ■ - 0 ■ F1
5.65	257	75	2 920	20	0.73	621/110	✓	✓	✓	✓	✓												2KJ3501 - ■ ■ A 0 ■ - 0 ■ E1
5.07	286	74	2 900	22	0.60	345/68	✓	✓	✓	✓	✓												2KJ3501 - ■ ■ A 0 ■ - 0 ■ D1
4.78	303	74	2 830	22	0.70	1380/289	✓	✓	✓	✓	✓												2KJ3501 - ■ ■ A 0 ■ - 0 ■ C1
4.21	344	74	2 690	22	0.82	644/153	✓	✓	✓	✓	✓												2KJ3501 - ■ ■ A 0 ■ - 0 ■ B1
3.65	397	73	2 550	22	1.10	621/170	✓	✓	✓	✓	✓												2KJ3501 - ■ ■ A 0 ■ - 0 ■ A1

¹⁾ Only in conjunction with reduced-backlash version

Article No. supplement		1 or 9																						
Shaft design	→ Page 9/39																							
Adapter size		K4	B	C	D	E	F	G	H	J	K	L	M	N									4	
		K2			D	E	F	G	H	J	K	L	M	N	P	Q								2
		KQ	A	B	C		D	E															7	
		K8					A	B		C		D	E	F									8	
		K5	A		B	C		D	E		F	G	H										5	
		K3	A		B	C		D	E		F	G	H										3	
Adapter type																								
Gearbox mounting type	→ Page 9/34	A, B, F or H																						



Selection and ordering data (continued)

Gearbox							Adapter													Article No.				
i	n ₂	T _{2N}	F _{R2}	φ ¹⁾	J _G	F _{ex}	K4	63	71	80	90	100	112	132	160	180	200	225	250				(Article No. supplement → below)	
-	rpm	Nm	N	°	10 ⁻⁴	-	K2			80	90	100	112	132	160	180	200	225	250	280	315			
							KQ	703	704	706		708	710											
							K8					808	810		813		816		818	822				
							K5	56		140	180		210	250		280	320	360						
							K3	56		140	180		210	250		280	320	360						
K.79																								
244.25	5.9	820	13 900	6	0.17	175861/720	✓	✓	✓														2KJ3508 - ■ ■ A 0 ■ - 0 ■ J2	
222.05	6.5	820	13 900	6	0.20	175861/792	✓	✓	✓	✓													2KJ3508 - ■ ■ A 0 ■ - 0 ■ H2	
188.85	7.7	820	13 900	6	0.25	9065/48	✓	✓	✓	✓													2KJ3508 - ■ ■ A 0 ■ - 0 ■ G2	
171.69	8.4	820	13 900	6	0.31	45325/264	✓	✓	✓	✓													2KJ3508 - ■ ■ A 0 ■ - 0 ■ F2	
153.18	9.5	820	13 900	6	0.35	132349/864	✓	✓	✓	✓	✓	✓											2KJ3508 - ■ ■ A 0 ■ - 0 ■ E2	
137.35	11	820	13 900	6	0.42	9065/66	✓	✓	✓	✓	✓	✓											2KJ3508 - ■ ■ A 0 ■ - 0 ■ D2	
123.80	12	820	13 900	6	0.50	106967/864	✓	✓	✓	✓	✓	✓											2KJ3508 - ■ ■ A 0 ■ - 0 ■ C2	
114.28	13	820	13 900	6	0.59	106967/936	✓	✓	✓	✓	✓	✓											2KJ3508 - ■ ■ A 0 ■ - 0 ■ B2	
104.32	14	820	13 900	6	0.70	7511/72	✓	✓	✓	✓	✓	✓	✓										2KJ3508 - ■ ■ A 0 ■ - 0 ■ A2	
86.56	17	820	13 900	6	0.89	99715/1152	✓	✓	✓	✓	✓	✓	✓										2KJ3508 - ■ ■ A 0 ■ - 0 ■ X1	
81.47	18	820	13 900	6	1.02	99715/1224	✓	✓	✓	✓	✓	✓	✓										2KJ3508 - ■ ■ A 0 ■ - 0 ■ W1	
76.94	19	820	13 900	6	1.16	99715/1296	✓	✓	✓	✓	✓	✓	✓										2KJ3508 - ■ ■ A 0 ■ - 0 ■ V1	
65.47	22	820	13 900	6	1.42	23569/360	✓	✓	✓	✓	✓	✓	✓										2KJ3508 - ■ ■ A 0 ■ - 0 ■ U1	
56.08	26	820	13 900	6	1.73	88837/1584			✓	✓	✓	✓	✓										2KJ3508 - ■ ■ A 0 ■ - 0 ■ T1	
49.31	29	820	13 900	6	2.10	85211/1728			✓	✓	✓	✓	✓										2KJ3508 - ■ ■ A 0 ■ - 0 ■ S1	
41.60	35	800	14 000	6	2.70	34447/828			✓	✓	✓	✓	✓										2KJ3508 - ■ ■ A 0 ■ - 0 ■ R1	
36.26	40	770	14 000	6	3.60	1813/50			✓	✓	✓	✓	✓										2KJ3508 - ■ ■ A 0 ■ - 0 ■ Q1	
32.78	44	820	13 900	7	0.94	6293/192	✓	✓	✓	✓	✓	✓	✓										2KJ3508 - ■ ■ A 0 ■ - 0 ■ P1	
27.20	53	800	14 000	7	1.23	83545/3072	✓	✓	✓	✓	✓	✓	✓										2KJ3508 - ■ ■ A 0 ■ - 0 ■ N1	
25.60	57	785	14 000	7	1.41	83545/3264	✓	✓	✓	✓	✓	✓	✓										2KJ3508 - ■ ■ A 0 ■ - 0 ■ M1	
24.17	60	770	14 000	7	1.60	83545/3456	✓	✓	✓	✓	✓	✓	✓										2KJ3508 - ■ ■ A 0 ■ - 0 ■ L1	
20.57	70	740	14 100	7	2.00	19747/960	✓	✓	✓	✓	✓	✓	✓										2KJ3508 - ■ ■ A 0 ■ - 0 ■ K1	
17.62	82	715	13 800	8	2.60	74431/4224			✓	✓	✓	✓	✓										2KJ3508 - ■ ■ A 0 ■ - 0 ■ J1	
15.49	94	695	13 300	8	3.20	71393/4608			✓	✓	✓	✓	✓										2KJ3508 - ■ ■ A 0 ■ - 0 ■ H1	
13.07	111	665	12 600	8	4.20	28861/2208			✓	✓	✓	✓	✓										2KJ3508 - ■ ■ A 0 ■ - 0 ■ G1	
11.39	127	645	12 000	8	5.50	4557/400			✓	✓	✓	✓	✓										2KJ3508 - ■ ■ A 0 ■ - 0 ■ F1	
10.51	138	445	12 600	10	2.30	1209/115	✓	✓	✓	✓	✓	✓	✓										2KJ3508 - ■ ■ A 0 ■ - 0 ■ E1	
9.01	161	450	11 900	11	3.00	4557/506			✓	✓	✓	✓	✓										2KJ3508 - ■ ■ A 0 ■ - 0 ■ D1	
7.92	183	450	11 300	11	3.70	1457/184			✓	✓	✓	✓	✓										2KJ3508 - ■ ■ A 0 ■ - 0 ■ C1	
6.68	217	455	10 900	11	4.90	3534/529			✓	✓	✓	✓	✓										2KJ3508 - ■ ■ A 0 ■ - 0 ■ B1	
5.82	249	430	10 700	12	6.60	3348/575			✓	✓	✓	✓	✓										2KJ3508 - ■ ■ A 0 ■ - 0 ■ A1	

¹⁾ Only in conjunction with reduced-backlash version

Article No. supplement		1 or 9																					
Shaft design	→ Page 9/39																						4
Adapter size		K4	B	C	D	E	F	G	H	J	K	L	M	N									2
		K2			D	E	F	G	H	J	K	L	M	N	P	Q							7
		KQ	A	B	C		D	E															8
		K8					A	B		C		D	E	F									5
		K5	A		B	C		D	E		F	G	H										3
		K3	A		B	C		D	E		F	G	H										
Adapter type																							
Gearbox mounting type	→ Page 9/34	A, B, F or H																					



SIMOGEAR Gearboxes

Bevel gearboxes

Transmission ratios and torques

Selection and ordering data (continued)

Gearbox							Adapter													Article No.				
i	n_2	T_{2N}	F_{R2}	ϕ^1	J_G	F_{ex}	K4	63	71	80	90	100	112	132	160	180	200	225	250					(Article No. supplement → below)
-	rpm	Nm	N	'	10^{-4}	-	K2			80	90	100	112	132	160	180	200	225	250	280	315			
					kgm^2		KQ	703	704	706		708	710											
							K8					808	810		813		816			818	822			
							K5	56		140	180		210	250		280	320	360						
							K3	56		140	180		210	250		280	320	360						
K.89																								
231.80	6.3	1 600	18 100	7	0.42	10199/44		✓	✓	✓													2KJ3510 - ■■■ A 0 ■ - 0 ■ K2	
210.72	6.9	1 600	18 100	7	0.51	50995/242		✓	✓	✓													2KJ3510 - ■■■ A 0 ■ - 0 ■ J2	
189.01	7.7	1 600	18 100	7	0.71	149695/792		✓	✓	✓	✓	✓											2KJ3510 - ■■■ A 0 ■ - 0 ■ H2	
169.94	8.5	1 600	18 100	7	0.80	41125/242		✓	✓	✓	✓	✓											2KJ3510 - ■■■ A 0 ■ - 0 ■ G2	
153.70	9.4	1 600	18 100	7	0.88	60865/396		✓	✓	✓	✓	✓											2KJ3510 - ■■■ A 0 ■ - 0 ■ F2	
141.88	10	1 600	18 100	7	1.05	60865/429		✓	✓	✓	✓	✓											2KJ3510 - ■■■ A 0 ■ - 0 ■ E2	
129.96	11	1 600	18 100	7	1.37	17155/132		✓	✓	✓	✓	✓	✓	✓									2KJ3510 - ■■■ A 0 ■ - 0 ■ D2	
109.04	13	1 600	18 100	7	1.45	57575/528		✓	✓	✓	✓	✓	✓	✓	✓								2KJ3510 - ■■■ A 0 ■ - 0 ■ C2	
102.63	14	1 600	18 100	7	1.66	57575/561		✓	✓	✓	✓	✓	✓	✓	✓								2KJ3510 - ■■■ A 0 ■ - 0 ■ B2	
94.16	15	1 600	18 100	7	1.81	27965/297		✓	✓	✓	✓	✓	✓	✓	✓								2KJ3510 - ■■■ A 0 ■ - 0 ■ A2	
82.25	18	1 600	18 100	7	2.60	329/4		✓	✓	✓	✓	✓	✓	✓	✓								2KJ3510 - ■■■ A 0 ■ - 0 ■ X1	
73.64	20	1 600	18 100	7	3.20	106925/1452			✓	✓	✓	✓	✓	✓	✓								2KJ3510 - ■■■ A 0 ■ - 0 ■ W1	
64.39	23	1 600	18 100	7	3.70	50995/792			✓	✓	✓	✓	✓	✓	✓								2KJ3510 - ■■■ A 0 ■ - 0 ■ V1	
55.27	26	1 600	18 100	7	4.10	27965/506			✓	✓	✓	✓	✓	✓	✓								2KJ3510 - ■■■ A 0 ■ - 0 ■ U1	
48.85	30	1 600	18 100	7	5.20	16121/330			✓	✓	✓	✓	✓	✓	✓								2KJ3510 - ■■■ A 0 ■ - 0 ■ T1	
41.54	35	1 570	18 100	7	6.60	8225/198					✓	✓	✓	✓									2KJ3510 - ■■■ A 0 ■ - 0 ■ S1	
39.29	37	1 600	18 100	9	1.86	11315/288		✓	✓	✓	✓	✓	✓	✓	✓								2KJ3510 - ■■■ A 0 ■ - 0 ■ R1	
32.96	44	1 600	18 100	8	2.10	37975/1152		✓	✓	✓	✓	✓	✓	✓	✓								2KJ3510 - ■■■ A 0 ■ - 0 ■ Q1	
31.03	47	1 600	18 100	8	2.40	37975/1224		✓	✓	✓	✓	✓	✓	✓	✓								2KJ3510 - ■■■ A 0 ■ - 0 ■ P1	
28.46	51	1 600	18 100	8	2.70	18445/648		✓	✓	✓	✓	✓	✓	✓	✓								2KJ3510 - ■■■ A 0 ■ - 0 ■ N1	
24.86	58	1 600	18 100	9	3.80	2387/96		✓	✓	✓	✓	✓	✓	✓	✓								2KJ3510 - ■■■ A 0 ■ - 0 ■ M1	
22.26	65	1 600	18 100	9	4.70	70525/3168			✓	✓	✓	✓	✓	✓	✓								2KJ3510 - ■■■ A 0 ■ - 0 ■ L1	
19.46	75	1 560	17 900	9	5.70	33635/1728			✓	✓	✓	✓	✓	✓	✓								2KJ3510 - ■■■ A 0 ■ - 0 ■ K1	
16.71	87	1 480	17 200	9	6.80	18445/1104			✓	✓	✓	✓	✓	✓	✓								2KJ3510 - ■■■ A 0 ■ - 0 ■ J1	
14.77	98	1 420	16 600	9	8.60	10633/720			✓	✓	✓	✓	✓	✓	✓								2KJ3510 - ■■■ A 0 ■ - 0 ■ H1	
12.56	115	1 330	16 300	9	11.00	5425/432					✓	✓	✓	✓									2KJ3510 - ■■■ A 0 ■ - 0 ■ G1	
10.76	135	1 250	16 100	9	15.00	775/72					✓	✓	✓	✓									2KJ3510 - ■■■ A 0 ■ - 0 ■ F1	
10.51	138	845	16 100	13	6.40	6727/640			✓	✓	✓	✓	✓	✓									2KJ3510 - ■■■ A 0 ■ - 0 ■ E1	
9.02	161	800	15 400	14	7.70	33201/3680			✓	✓	✓	✓	✓	✓									2KJ3510 - ■■■ A 0 ■ - 0 ■ D1	
7.97	182	770	14 800	14	9.80	31899/4000			✓	✓	✓	✓	✓	✓									2KJ3510 - ■■■ A 0 ■ - 0 ■ C1	
6.78	214	720	14 500	14	13.00	217/32					✓	✓	✓	✓									2KJ3510 - ■■■ A 0 ■ - 0 ■ B1	
5.81	250	675	14 200	14	17.00	93/16					✓	✓	✓	✓									2KJ3510 - ■■■ A 0 ■ - 0 ■ A1	

¹⁾ Only in conjunction with reduced-backlash version

Article No. supplement		1 or 9																						
Shaft design	→ Page 9/39																							
Adapter size		K4	B	C	D	E	F	G	H	J	K	L	M	N									4	
		K2			D	E	F	G	H	J	K	L	M	N	P	Q								2
		KQ	A	B	C		D	E															7	
		K8					A	B		C		D		E	F								8	
		K5	A		B	C		D	E		F	G	H										5	
		K3	A		B	C		D	E		F	G	H										3	
Adapter type																								
Gearbox mounting type	→ Page 9/34	A, B, F or H																						

Selection and ordering data (continued)

Gearbox							Adapter													Article No.						
i	n_2	T_{2N}	F_{R2}	ϕ^1	J_G	F_{ex}	K4	63	71	80	90	100	112	132	160	180	200	225	250					(Article No. supplement → below)		
-	rpm	Nm	N	'	10^{-4}	-	K2			80	90	100	112	132	160	180	200	225	250	280	315					
					kgm^2		KQ	703	704	706		708	710													
							K8					808	810		813		816		818	822						
							K5	56		140	180		210	250		280	320	360								
							K3	56		140	180		210	250		280	320	360								
K.109																										
216.65	6.7	2 900	24 500	-	1.27	107242/495			✓	✓	✓	✓													2KJ3511 - ■■A 0 ■-0 ■H2	
195.60	7.4	2 900	24 500	-	1.37	118336/605			✓	✓	✓	✓													2KJ3511 - ■■A 0 ■-0 ■G2	
177.43	8.2	2 900	24 500	-	1.61	35131/198			✓	✓	✓	✓													2KJ3511 - ■■A 0 ■-0 ■F2	
163.78	8.9	2 900	24 500	-	1.9	70262/429			✓	✓	✓	✓													2KJ3511 - ■■A 0 ■-0 ■E2	
148.88	9.7	2 900	24 500	-	2.2	57319/385			✓	✓	✓	✓	✓	✓											2KJ3511 - ■■A 0 ■-0 ■D2	
126.07	12	2 900	24 500	-	2.6	5547/44			✓	✓	✓	✓	✓	✓	✓										2KJ3511 - ■■A 0 ■-0 ■C2	
118.65	12	2 900	24 500	-	2.6	22188/187			✓	✓	✓	✓	✓	✓	✓										2KJ3511 - ■■A 0 ■-0 ■B2	
109.57	13	2 900	24 500	-	4.1	14792/135			✓	✓	✓	✓	✓	✓	✓										2KJ3511 - ■■A 0 ■-0 ■A2	
97.49	15	2 900	24 500	-	5.0	53621/550			✓	✓	✓	✓	✓	✓	✓										2KJ3511 - ■■A 0 ■-0 ■X1	
86.59	17	2 900	24 500	-	6.0	31433/363			✓	✓	✓	✓	✓	✓	✓										2KJ3511 - ■■A 0 ■-0 ■W1	
77.51	19	2 900	24 500	-	5.9	153467/1980			✓	✓	✓	✓	✓	✓	✓										2KJ3511 - ■■A 0 ■-0 ■V1	
66.26	22	2 900	24 500	-	6.8	251464/3795			✓	✓	✓	✓	✓	✓	✓										2KJ3511 - ■■A 0 ■-0 ■U1	
59.17	25	2 900	24 500	-	8.6	7396/125			✓	✓	✓	✓	✓	✓	✓	✓									2KJ3511 - ■■A 0 ■-0 ■T1	
52.29	28	2 900	24 500	-	9.7	25886/495					✓	✓	✓	✓	✓	✓									2KJ3511 - ■■A 0 ■-0 ■S1	
45.89	32	2 900	24 500	-	14	159014/3465					✓	✓	✓	✓	✓	✓									2KJ3511 - ■■A 0 ■-0 ■R1	
39.95	36	2 820	23 900	-	17	151618/3795					✓	✓	✓	✓	✓	✓									2KJ3511 - ■■A 0 ■-0 ■Q1	
34.15	42	2 710	22 700	-	21	118336/3465					✓	✓	✓	✓	✓	✓									2KJ3511 - ■■A 0 ■-0 ■P1	
29.23	50	2 620	21 600	-	27	7396/253					✓	✓	✓	✓	✓	✓									2KJ3511 - ■■A 0 ■-0 ■N1	
24.98	58	2 380	21 000	-	9.9	163744/6555			✓	✓	✓	✓	✓	✓	✓										2KJ3511 - ■■A 0 ■-0 ■M1	
22.31	65	2 380	20 000	-	13	52976/2375			✓	✓	✓	✓	✓	✓	✓	✓									2KJ3511 - ■■A 0 ■-0 ■L1	
19.71	74	2 380	18 900	-	15	16856/855					✓	✓	✓	✓	✓	✓									2KJ3511 - ■■A 0 ■-0 ■K1	
17.30	84	2 400	17 800	-	20	14792/855					✓	✓	✓	✓	✓	✓									2KJ3511 - ■■A 0 ■-0 ■J1	
15.06	96	2 310	17 500	-	25	98728/6555					✓	✓	✓	✓	✓	✓									2KJ3511 - ■■A 0 ■-0 ■H1	
12.87	113	2 200	17 500	-	33	11008/855					✓	✓	✓	✓	✓	✓									2KJ3511 - ■■A 0 ■-0 ■G1	
11.02	132	2 100	17 400	-	43	4816/437					✓	✓	✓	✓	✓	✓									2KJ3511 - ■■A 0 ■-0 ■F1	
10.45	139	1 260	17 700	-	17	784/75					✓	✓	✓	✓	✓	✓									2KJ3511 - ■■A 0 ■-0 ■E1	
9.17	158	1 270	16 700	-	23	688/75					✓	✓	✓	✓	✓	✓									2KJ3511 - ■■A 0 ■-0 ■D1	
7.99	181	1 280	16 300	-	29	4592/575					✓	✓	✓	✓	✓	✓									2KJ3511 - ■■A 0 ■-0 ■C1	
6.83	212	1 300	16 100	-	38	512/75					✓	✓	✓	✓	✓	✓									2KJ3511 - ■■A 0 ■-0 ■B1	
5.84	248	1 300	15 700	-	49	672/115					✓	✓	✓	✓	✓	✓									2KJ3511 - ■■A 0 ■-0 ■A1	

¹⁾ Only in conjunction with reduced-backlash version

Article No. supplement		1 or 9																							
Shaft design	→ Page 9/39																								4
Adapter size		K4	B	C	D	E	F	G	H	J	K	L	M	N											2
		K2			D	E	F	G	H	J	K	L	M	N	P	Q									7
		KQ	A	B	C			D	E																8
		K8						A	B		C		D	E	F										5
		K5	A		B	C		D	E		F	G	H												3
		K3	A		B	C		D	E		F	G	H												
Adapter type																									
Gearbox mounting type	→ Page 9/34	A, B, F or H																							



SIMOGEAR Gearboxes

Bevel gearboxes

Transmission ratios and torques

Selection and ordering data (continued)

Gearbox							Adapter													Article No.						
i	n_2	T_{2N}	F_{R2}	ϕ^1	J_G	F_{ex}	K4	63	71	80	90	100	112	132	160	180	200	225	250					(Article No. supplement → below)		
-	rpm	Nm	N	'	10^{-4}	-	K2			80	90	100	112	132	160	180	200	225	250	280	315					
					kgm^2		KQ	703	704	706		708	710													
							K8					808	810		813		816			818	822					
							K5	56		140	180		210	250		280	320	360								
							K3	56		140	180		210	250		280	320	360								
K.129																										
228.30	6.4	4 400	37 600	-	3.3	30821/135					✓	✓	✓												2KJ3512 - ■■■ A 0 ■ - 0 ■ J2	
210.74	6.9	4 400	37 600	-	3.9	123284/585					✓	✓	✓												2KJ3512 - ■■■ A 0 ■ - 0 ■ H2	
194.04	7.5	4 400	37 600	-	4.5	8732/45					✓	✓	✓	✓	✓										2KJ3512 - ■■■ A 0 ■ - 0 ■ G2	
165.47	8.8	4 400	37 600	-	5.6	5957/36					✓	✓	✓	✓	✓										2KJ3512 - ■■■ A 0 ■ - 0 ■ F2	
155.74	9.3	4 400	37 600	-	6.4	23828/153					✓	✓	✓	✓	✓										2KJ3512 - ■■■ A 0 ■ - 0 ■ E2	
144.53	10	4 400	37 600	-	7.0	58534/405					✓	✓	✓	✓	✓										2KJ3512 - ■■■ A 0 ■ - 0 ■ D2	
127.77	11	4 400	37 600	-	8.4	9583/75					✓	✓	✓	✓	✓										2KJ3512 - ■■■ A 0 ■ - 0 ■ C2	
114.06	13	4 400	37 600	-	10	56462/495					✓	✓	✓	✓	✓										2KJ3512 - ■■■ A 0 ■ - 0 ■ B2	
102.64	14	4 400	37 600	-	12	27713/270					✓	✓	✓	✓	✓										2KJ3512 - ■■■ A 0 ■ - 0 ■ A2	
89.09	16	4 400	37 600	-	14	92204/1035					✓	✓	✓	✓	✓										2KJ3512 - ■■■ A 0 ■ - 0 ■ X1	
80.12	18	4 400	37 600	-	17	30044/375					✓	✓	✓	✓	✓	✓									2KJ3512 - ■■■ A 0 ■ - 0 ■ W1	
70.03	21	4 400	37 600	-	19	18907/270						✓	✓	✓	✓	✓	✓								2KJ3512 - ■■■ A 0 ■ - 0 ■ V1	
62.49	23	4 400	36 200	-	23	2812/45						✓	✓	✓	✓	✓	✓	✓							2KJ3512 - ■■■ A 0 ■ - 0 ■ U1	
55.05	26	4 400	34 300	-	27	11396/207						✓	✓	✓	✓	✓	✓	✓							2KJ3512 - ■■■ A 0 ■ - 0 ■ T1	
48.24	30	4 400	32 400	-	33	6512/135						✓	✓	✓	✓	✓	✓	✓							2KJ3512 - ■■■ A 0 ■ - 0 ■ S1	
42.04	34	4 400	30 500	-	39	14504/345						✓	✓	✓	✓	✓	✓	✓							2KJ3512 - ■■■ A 0 ■ - 0 ■ R1	
38.37	38	4 400	29 200	-	45	1036/27						✓	✓	✓	✓	✓	✓	✓							2KJ3512 - ■■■ A 0 ■ - 0 ■ Q1	
33.03	44	4 400	27 300	-	55	11396/345							✓	✓	✓	✓	✓	✓							2KJ3512 - ■■■ A 0 ■ - 0 ■ P1	
31.55	46	4 400	26 700	-	23	3944/125				✓	✓	✓	✓	✓	✓										2KJ3512 - ■■■ A 0 ■ - 0 ■ N1	
27.58	53	4 400	25 100	-	27	1241/45					✓	✓	✓	✓	✓	✓									2KJ3512 - ■■■ A 0 ■ - 0 ■ M1	
24.61	59	4 400	23 700	-	33	2584/105					✓	✓	✓	✓	✓	✓	✓	✓							2KJ3512 - ■■■ A 0 ■ - 0 ■ L1	
21.68	67	4 270	22 700	-	40	1496/69					✓	✓	✓	✓	✓	✓	✓	✓							2KJ3512 - ■■■ A 0 ■ - 0 ■ K1	
19.00	76	4 140	21 700	-	50	5984/315					✓	✓	✓	✓	✓	✓	✓	✓							2KJ3512 - ■■■ A 0 ■ - 0 ■ J1	
16.56	88	4 020	20 700	-	62	1904/115					✓	✓	✓	✓	✓	✓	✓	✓							2KJ3512 - ■■■ A 0 ■ - 0 ■ H1	
15.11	96	3 940	20 000	-	72	136/9					✓	✓	✓	✓	✓	✓	✓	✓							2KJ3512 - ■■■ A 0 ■ - 0 ■ G1	
13.01	111	3 810	19 000	-	91	1496/115						✓	✓	✓	✓	✓	✓	✓							2KJ3512 - ■■■ A 0 ■ - 0 ■ F1	
11.80	123	2 830	21 400	-	46	119680/10143					✓	✓	✓	✓	✓	✓	✓	✓							2KJ3512 - ■■■ A 0 ■ - 0 ■ E1	
10.34	140	2 850	20 100	-	57	95744/9261					✓	✓	✓	✓	✓	✓	✓	✓							2KJ3512 - ■■■ A 0 ■ - 0 ■ D1	
9.01	161	2 760	19 500	-	71	4352/483					✓	✓	✓	✓	✓	✓	✓	✓							2KJ3512 - ■■■ A 0 ■ - 0 ■ C1	
8.22	176	2 680	19 500	-	83	10880/1323					✓	✓	✓	✓	✓	✓	✓	✓							2KJ3512 - ■■■ A 0 ■ - 0 ■ B1	
7.08	205	2 530	19 500	-	107	23936/3381					✓	✓	✓	✓	✓	✓	✓	✓							2KJ3512 - ■■■ A 0 ■ - 0 ■ A1	

¹⁾ Only in conjunction with reduced-backlash version

Article No. supplement		1 or 9																							
Shaft design	→ Page 9/39																								4
Adapter size		K4	B	C	D	E	F	G	H	J	K	L	M	N											2
		K2			D	E	F	G	H	J	K	L	M	N	P	Q									7
		KQ	A	B	C		D	E																	8
		K8					A	B		C		D	E	F											5
		K5	A		B	C		D	E		F	G	H												3
		K3	A		B	C		D	E		F	G	H												
Adapter type																									
Gearbox mounting type	→ Page 9/34	A, B, F or H																							

Selection and ordering data (continued)

Gearbox							Adapter													Article No.				
i	n ₂	T _{2N}	F _{R2}	φ ¹⁾	J _G	F _{ex}	K4	63	71	80	90	100	112	132	160	180	200	225	250				(Article No. supplement → below)	
-	rpm	Nm	N	'	10 ⁻⁴	-	K2			80	90	100	112	132	160	180	200	225	250	280	315			
					kgm ²		KQ	703	704	706		708	710											
							K8					808	810		813			816		818	822			
							K5	56		140	180		210	250			280	320	360					
							K3	56		140	180		210	250			280	320	360					
K.149																								
237.03	6.1	8 000	65 000	-	7.1	83433/352					✓	✓	✓	✓	✓								2KJ3513 - ■■A 0 ■-0 ■J2	
202.86	7.1	8 000	65 000	-	9.0	285621/1408					✓	✓	✓	✓	✓								2KJ3513 - ■■A 0 ■-0 ■H2	
190.92	7.6	8 000	65 000	-	10	285621/1496					✓	✓	✓	✓	✓								2KJ3513 - ■■A 0 ■-0 ■G2	
178.97	8.1	8 000	65 000	-	11	188993/1056					✓	✓	✓	✓	✓								2KJ3513 - ■■A 0 ■-0 ■F2	
158.65	9.1	8 000	65 000	-	14	558453/3520					✓	✓	✓	✓	✓								2KJ3513 - ■■A 0 ■-0 ■E2	
140.93	10	8 000	64 100	-	16	17052/121					✓	✓	✓	✓	✓								2KJ3513 - ■■A 0 ■-0 ■D2	
127.16	11	8 000	61 500	-	19	89523/704					✓	✓	✓	✓	✓								2KJ3513 - ■■A 0 ■-0 ■C2	
112.68	13	8 000	58 500	-	23	456141/4048					✓	✓	✓	✓	✓								2KJ3513 - ■■A 0 ■-0 ■B2	
99.79	15	8 000	55 600	-	26	439089/4400					✓	✓	✓	✓	✓	✓							2KJ3513 - ■■A 0 ■-0 ■A2	
88.81	16	8 000	52 900	-	31	1421/16						✓	✓	✓	✓	✓	✓						2KJ3513 - ■■A 0 ■-0 ■X1	
79.59	18	8 000	50 500	-	37	14007/176						✓	✓	✓	✓	✓	✓	✓					2KJ3513 - ■■A 0 ■-0 ■W1	
70.56	21	8 000	47 900	-	43	285621/4048						✓	✓	✓	✓	✓	✓	✓					2KJ3513 - ■■A 0 ■-0 ■V1	
62.28	23	8 000	45 300	-	52	5481/88						✓	✓	✓	✓	✓	✓	✓	✓				2KJ3513 - ■■A 0 ■-0 ■U1	
54.76	26	8 000	42 700	-	63	55419/1012						✓	✓	✓	✓	✓	✓	✓	✓				2KJ3513 - ■■A 0 ■-0 ■T1	
49.60	29	8 000	40 800	-	70	8729/176						✓	✓	✓	✓	✓	✓	✓	✓				2KJ3513 - ■■A 0 ■-0 ■S1	
43.18	34	8 000	38 300	-	85	174783/4048							✓	✓	✓	✓	✓	✓					2KJ3513 - ■■A 0 ■-0 ■R1	
35.40	41	7 850	35 200	-	110	80997/2288							✓	✓	✓	✓	✓	✓					2KJ3513 - ■■A 0 ■-0 ■Q1	
32.33	45	7 760	33 900	-	49	12673/392						✓	✓	✓	✓	✓	✓	✓					2KJ3513 - ■■A 0 ■-0 ■P1	
28.66	51	7 630	32 300	-	59	36917/1288						✓	✓	✓	✓	✓	✓	✓					2KJ3513 - ■■A 0 ■-0 ■N1	
25.30	57	7 420	30 900	-	73	4959/196						✓	✓	✓	✓	✓	✓	✓	✓				2KJ3513 - ■■A 0 ■-0 ■M1	
22.25	65	7 210	29 500	-	89	7163/322						✓	✓	✓	✓	✓	✓	✓	✓				2KJ3513 - ■■A 0 ■-0 ■L1	
20.15	72	7 070	28 500	-	103	23693/1176						✓	✓	✓	✓	✓	✓	✓	✓				2KJ3513 - ■■A 0 ■-0 ■K1	
17.54	83	6 890	28 500	-	128	22591/1288							✓	✓	✓	✓	✓	✓					2KJ3513 - ■■A 0 ■-0 ■J1	
14.38	101	6 660	29 000	-	174	10469/728							✓	✓	✓	✓	✓	✓					2KJ3513 - ■■A 0 ■-0 ■H1	
14.15	102	4 140	31 200	-	79	17328/1225					✓	✓	✓	✓	✓	✓	✓	✓					2KJ3513 - ■■A 0 ■-0 ■G1	
12.44	117	4 030	29 800	-	97	150176/12075					✓	✓	✓	✓	✓	✓	✓	✓					2KJ3513 - ■■A 0 ■-0 ■F1	
11.26	129	3 950	28 900	-	113	124184/11025					✓	✓	✓	✓	✓	✓	✓	✓					2KJ3513 - ■■A 0 ■-0 ■E1	
9.81	148	3 850	28 400	-	141	118408/12075							✓	✓	✓	✓	✓	✓					2KJ3513 - ■■A 0 ■-0 ■D1	
8.04	180	3 720	28 000	-	194	54872/6825							✓	✓	✓	✓	✓	✓					2KJ3513 - ■■A 0 ■-0 ■C1	
6.82	213	3 630	27 600	-	266	89528/13125							✓	✓	✓	✓	✓	✓					2KJ3512 - ■■A 0 ■-0 ■B1	

1) Only in conjunction with reduced-backlash version

Article No. supplement		1 or 9																						
Shaft design	→ Page 9/39																							
Adapter size		K4	B	C	D	E	F	G	H	J	K	L	M	N									4	
		K2			D	E	F	G	H	J	K	L	M	N	P	Q								2
		KQ		A	B	C		D	E														7	
		K8						A	B		C		D		E	F							8	
		K5		A		B	C		D	E		F	G	H									5	
		K3		A		B	C		D	E		F	G	H									3	
Adapter type																								
Gearbox mounting type	→ Page 9/34	A, B, F or H																						

SIMOGEAR Gearboxes

Bevel gearboxes

Transmission ratios and torques

Selection and ordering data (continued)

Gearbox							Adapter											Article No.					
i	n ₂	T _{2N}	F _{R2}	φ ¹⁾	J _G	F _{ex}	K4	63	71	80	90	100	112	132	160	180	200	225	250			(Article No. supplement → below)	
-	rpm	Nm	N	°	10 ⁻⁴	-	K2			80	90	100	112	132	160	180	200	225	250	280	315		
					kgm ²		KQ	703	704	706		708	710										
							K8					808	810		813		816		818	822			
							K5	56		140	180		210	250		280	320	360					
							K3	56		140	180		210	250		280	320	360					
K.169																							
223.30	6.5	13 000	70 000	-	18	273319/1224						✓	✓	✓	✓								2KJ3514 - ■ ■ A 0 ■ -0 ■ F2
208.35	7	13 000	70 000	-	20	135013/648						✓	✓	✓	✓								2KJ3514 - ■ ■ A 0 ■ -0 ■ E2
185.23	7.8	13 000	70 000	-	24	29637/160						✓	✓	✓	✓								2KJ3514 - ■ ■ A 0 ■ -0 ■ D2
166.31	8.7	13 000	70 000	-	28	16465/99						✓	✓	✓	✓								2KJ3514 - ■ ■ A 0 ■ -0 ■ C2
150.55	9.6	13 000	70 000	-	33	260147/1728						✓	✓	✓	✓								2KJ3514 - ■ ■ A 0 ■ -0 ■ B2
132.24	11	13 000	70 000	-	40	437969/3312						✓	✓	✓	✓								2KJ3514 - ■ ■ A 0 ■ -0 ■ A2
119.83	12	13 000	70 000	-	47	431383/3600						✓	✓	✓	✓	✓							2KJ3514 - ■ ■ A 0 ■ -0 ■ X1
106.72	14	13 000	70 000	-	54	23051/216						✓	✓	✓	✓	✓	✓						2KJ3514 - ■ ■ A 0 ■ -0 ■ W1
95.83	15	13 000	70 000	-	65	36223/378						✓	✓	✓	✓	✓	✓	✓					2KJ3514 - ■ ■ A 0 ■ -0 ■ V1
85.51	17	13 000	70 000	-	75	141599/1656						✓	✓	✓	✓	✓	✓	✓					2KJ3514 - ■ ■ A 0 ■ -0 ■ U1
76.23	19	13 000	70 000	-	87	16465/216						✓	✓	✓	✓	✓	✓	✓	✓	✓			2KJ3514 - ■ ■ A 0 ■ -0 ■ T1
67.61	21	13 000	67 000	-	103	55981/828						✓	✓	✓	✓	✓	✓	✓	✓	✓			2KJ3514 - ■ ■ A 0 ■ -0 ■ S1
62.07	23	13 000	64 500	-	114	62567/1008						✓	✓	✓	✓	✓	✓	✓	✓	✓			2KJ3514 - ■ ■ A 0 ■ -0 ■ R1
54.68	27	13 000	61 000	-	134	181115/3312							✓	✓	✓	✓	✓	✓	✓	✓			2KJ3514 - ■ ■ A 0 ■ -0 ■ Q1
44.86	32	13 000	55 700	-	180	55981/1248							✓	✓	✓	✓	✓	✓	✓	✓			2KJ3514 - ■ ■ A 0 ■ -0 ■ P1
39.33	37	13 000	52 400	-	198	141599/3600							✓	✓	✓	✓	✓	✓	✓	✓			2KJ3514 - ■ ■ A 0 ■ -0 ■ N1
30.75	47	13 000	46 500	-	309	42809/1392							✓	✓	✓	✓	✓	✓	✓	✓			2KJ3514 - ■ ■ A 0 ■ -0 ■ M1
29.43	49	13 000	45 500	-	133	25721/874						✓	✓	✓	✓	✓	✓	✓	✓	✓			2KJ3514 - ■ ■ A 0 ■ -0 ■ L1
27.02	54	13 000	43 600	-	151	1513/56						✓	✓	✓	✓	✓	✓	✓	✓	✓			2KJ3514 - ■ ■ A 0 ■ -0 ■ K1
23.80	61	13 000	40 800	-	181	83215/3496							✓	✓	✓	✓	✓	✓	✓	✓			2KJ3514 - ■ ■ A 0 ■ -0 ■ J1
19.53	74	12 700	40 000	-	249	77163/3952							✓	✓	✓	✓	✓	✓	✓	✓			2KJ3514 - ■ ■ A 0 ■ -0 ■ H1
17.12	85	12 400	40 800	-	288	65059/3800							✓	✓	✓	✓	✓	✓	✓	✓			2KJ3514 - ■ ■ A 0 ■ -0 ■ G1
13.39	108	11 900	41 300	-	457	59007/4408							✓	✓	✓	✓	✓	✓	✓	✓			2KJ3514 - ■ ■ A 0 ■ -0 ■ F1
12.20	119	6 760	38 800	-	202	143990/11799							✓	✓	✓	✓	✓	✓	✓	✓			2KJ3514 - ■ ■ A 0 ■ -0 ■ E1
10.01	145	6 530	37 800	-	280	22253/2223							✓	✓	✓	✓	✓	✓	✓	✓			2KJ3514 - ■ ■ A 0 ■ -0 ■ D1
8.78	165	6 360	37 800	-	328	112574/12825							✓	✓	✓	✓	✓	✓	✓	✓			2KJ3514 - ■ ■ A 0 ■ -0 ■ C1
6.86	211	6 130	37 300	-	523	34034/4959							✓	✓	✓	✓	✓	✓	✓	✓			2KJ3512 - ■ ■ A 0 ■ -0 ■ B1

1) Only in conjunction with reduced-backlash version

Article No. supplement		1 or 9																					
Shaft design	→ Page 9/39																						
Adapter size		K4	B	C	D	E	F	G	H	J	K	L	M	N									4
		K2			D	E	F	G	H	J	K	L	M	N	P	Q							2
		KQ	A	B	C		D	E															7
		K8					A	B		C		D		E	F								8
		K5	A		B	C		D	E		F	G	H										5
		K3	A		B	C		D	E		F	G	H										3
Adapter type																							
Gearbox mounting type	→ Page 9/34	A, B, F or H																					

Selection and ordering data (continued)

Gearbox							Adapter													Article No.						
i	n_2	T_{2N}	F_{R2}	$\phi^{1)}$	J_G	F_{ex}	K4	63	71	80	90	100	112	132	160	180	200	225	250					(Article No. supplement → below)		
-	rpm	Nm	N	'	10^{-4}	-	K2			80	90	100	112	132	160	180	200	225	250	280	315					
							KQ	703	704	706		708	710													
							K8					808	810		813		816		818	822						
							K5	56	140	180		210	250		280	320	360									
							K3	56	140	180		210	250		280	320	360									
K.189																										
199.51	7.3	19 100	104 000	-	37	186543/935						✓	✓	✓											2KJ3515 - ■■A0 ■-0 ■W1	
178.49	8.1	19 500	104 000	-	43	367164/2057						✓	✓	✓											2KJ3515 - ■■A0 ■-0 ■V1	
160.98	9	19 500	104 000	-	50	60207/374						✓	✓	✓											2KJ3515 - ■■A0 ■-0 ■U1	
142.28	10	19 500	104 000	-	62	611940/4301						✓	✓	✓											2KJ3515 - ■■A0 ■-0 ■T1	
130.05	11	19 500	104 000	-	73	55272/425						✓	✓	✓	✓										2KJ3515 - ■■A0 ■-0 ■S1	
117.00	12	19 500	104 000	-	86	43757/374						✓	✓	✓	✓	✓									2KJ3515 - ■■A0 ■-0 ■R1	
104.56	14	19 500	104 000	-	100	19552/187						✓	✓	✓	✓	✓	✓								2KJ3515 - ■■A0 ■-0 ■Q1	
94.55	15	19 500	104 000	-	119	406644/4301						✓	✓	✓	✓	✓	✓								2KJ3515 - ■■A0 ■-0 ■P1	
83.44	17	19 500	104 000	-	140	15604/187						✓	✓	✓	✓	✓	✓	✓							2KJ3515 - ■■A0 ■-0 ■N1	
74.35	20	19 500	104 000	-	164	319788/4301						✓	✓	✓	✓	✓	✓	✓	✓						2KJ3515 - ■■A0 ■-0 ■M1	
67.36	22	19 500	104 000	-	182	12596/187						✓	✓	✓	✓	✓	✓	✓	✓	✓					2KJ3515 - ■■A0 ■-0 ■L1	
60.58	24	19 500	104 000	-	220	23688/391						✓	✓	✓	✓	✓	✓	✓	✓	✓					2KJ3515 - ■■A0 ■-0 ■K1	
50.34	29	19 500	104 000	-	273	122388/2431						✓	✓	✓	✓	✓	✓	✓	✓	✓					2KJ3515 - ■■A0 ■-0 ■J1	
44.76	32	19 500	99 200	-	334	209244/4675						✓	✓	✓	✓	✓	✓	✓	✓	✓					2KJ3515 - ■■A0 ■-0 ■H1	
35.67	41	19 500	90 000	-	455	193452/5423						✓	✓	✓	✓	✓	✓	✓	✓	✓					2KJ3515 - ■■A0 ■-0 ■G1	
28.39	51	19 500	81 400	-	586	153972/5423						✓	✓	✓	✓	✓	✓	✓	✓	✓					2KJ3515 - ■■A0 ■-0 ■F1	
25.37	57	19 500	77 300	-	335	11088/437						✓	✓	✓	✓	✓	✓	✓	✓	✓					2KJ3515 - ■■A0 ■-0 ■E1	
21.09	69	19 500	71 000	-	439	5208/247						✓	✓	✓	✓	✓	✓	✓	✓	✓					2KJ3515 - ■■A0 ■-0 ■D1	
18.75	77	19 500	67 100	-	545	8904/475						✓	✓	✓	✓	✓	✓	✓	✓	✓					2KJ3515 - ■■A0 ■-0 ■C1	
14.94	97	19 500	60 000	-	786	8232/551						✓	✓	✓	✓	✓	✓	✓	✓	✓					2KJ3515 - ■■A0 ■-0 ■B1	
11.89	122	19 500	61 300	-	1 109	6552/551						✓	✓	✓	✓	✓	✓	✓	✓	✓					2KJ3512 - ■■A0 ■-0 ■A1	

1) Only in conjunction with reduced-backlash version

Article No. supplement		1 or 9																								
Shaft design	→ Page 9/39																									
Adapter size		K4	B	C	D	E	F	G	H	J	K	L	M	N											4	
		K2			D	E	F	G	H	J	K	L	M	N	P	Q										2
		KQ	A	B	C		D	E																	7	
		K8					A	B		C		D	E	F											8	
		K5	A		B	C		D	E		F	G	H												5	
		K3	A		B	C		D	E		F	G	H												3	
Adapter type																										
Gearbox mounting type	→ Page 9/34	A, B, F or H																								

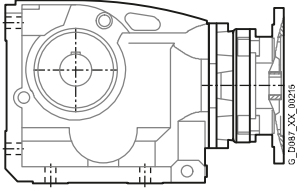
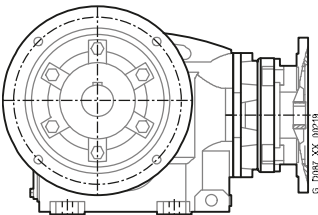
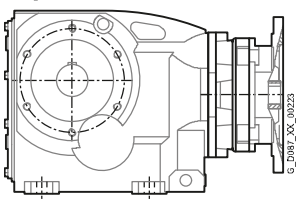
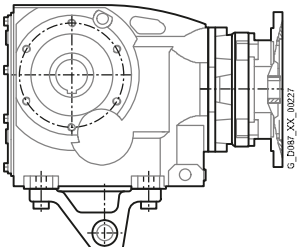
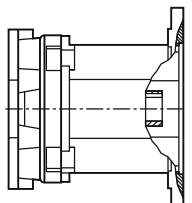
SIMOGEAR Gearboxes

Bevel gearboxes

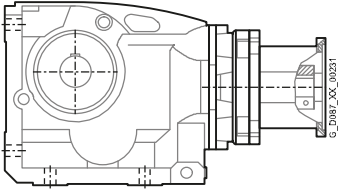
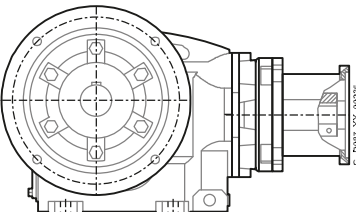
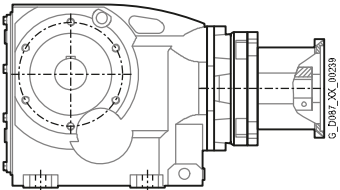
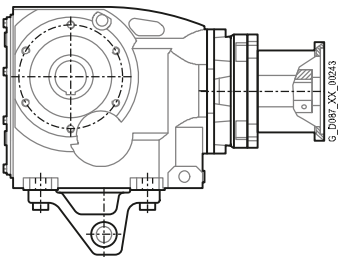
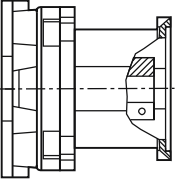
Dimensions

Dimensional drawing overview

Information about dimensional drawings can be found in Chapter Introduction on page 1/20.

Representation	Gearbox type	Dimensional drawing on page
Bevel gearbox with adapter K4		
<i>Foot-mounted design</i>		
	B..29	5/19
	B..39	5/23
	B..49	5/27
	K..39	5/31
	K..49	5/35
	K..69	5/39
	K..79	5/43
	K..89	5/47
	K..109	5/51
	K..129	5/55
	K..149	5/59
	K..169	5/63
	K..189	5/67
	<i>Flange-mounted design</i>	
	B.F.29	5/20
	B.F.39	5/24
	B.F.49	5/28
	K.F.39	5/32
	K.F.49	5/36
	K.F.69	5/40
	K.F.79	5/44
	K.F.89	5/48
	K.F.109	5/52
	K.F.129	5/56
	K.F.149	5/60
	K.F.169	5/64
	K.F.189	5/68
	<i>Housing flange design</i>	
	B.Z.29	5/21
	B.Z.39	5/25
	B.Z.49	5/29
	K.Z.39	5/33
	K.Z.49	5/37
	K.Z.69	5/41
	K.Z.79	5/45
	K.Z.89	5/49
	K.Z.109	5/53
	K.Z.129	5/57
	K.Z.149	5/61
	K.Z.169	5/65
	K.Z.189	5/69
	<i>Shaft-mounted design</i>	
	BAD.29	5/22
	BAD.39	5/26
	BAD.49	5/30
	KAD.39	5/34
	KAD.49	5/38
	KAD.69	5/42
	KAD.79	5/46
	KAD.89	5/50
	KAD.109	5/54
	KAD.129	5/58
	KAD.149	5/62
	KAD.169	5/66
	KAD.189	5/70
	Bevel gearbox with adapter K2	
	B..29 ... B..49	5/71
	K..39 ... K..189	

Dimensional drawing overview (continued)

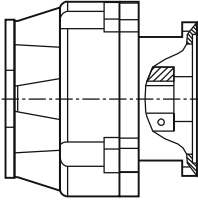
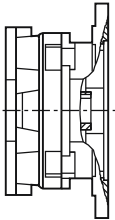
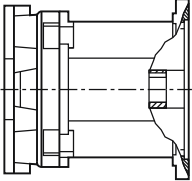
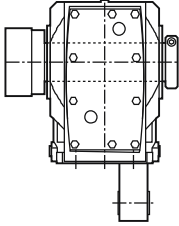
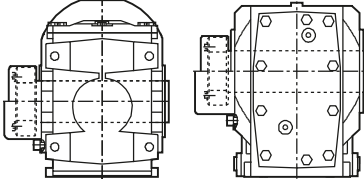

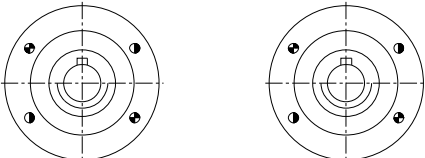
Representation	Gearbox type	Dimensional drawing on page
Bevel gearbox with adapter KQ		
<i>Foot-mounted design</i>		
	B..29	5/74
	B..39	5/78
	B..49	5/82
	K..39	5/86
	K..49	5/90
	K..69	5/94
	K..79	5/98
	K..89	5/102
	K..109	5/106
	K..129	5/110
	K..149	5/114
	K..169	5/118
	K..189	5/122
	<i>Flange-mounted design</i>	
	B.F.29	5/75
	B.F.39	5/79
	B.F.49	5/83
	K.F.39	5/87
	K.F.49	5/91
	K.F.69	5/95
	K.F.79	5/99
	K.F.89	5/103
	K.F.109	5/107
	K.F.129	5/111
	K.F.149	5/115
	K.F.169	5/119
	K.F.189	5/123
	<i>Housing flange design</i>	
	B.Z.29	5/76
	B.Z.39	5/80
	B.Z.49	5/84
	K.Z.39	5/88
	K.Z.49	5/92
	K.Z.69	5/96
	K.Z.79	5/100
	K.Z.89	5/104
	K.Z.109	5/108
	K.Z.129	5/112
	K.Z.149	5/116
	K.Z.169	5/120
	K.Z.189	5/124
	<i>Shaft-mounted design</i>	
	BAD.29	5/77
	BAD.39	5/81
	BAD.49	5/85
	KAD.39	5/89
	KAD.49	5/93
	KAD.69	5/97
	KAD.79	5/101
	KAD.89	5/105
	KAD.109	5/109
	KAD.129	5/113
	KAD.149	5/117
	KAD.169	5/121
	KAD.189	5/125
	Bevel gearbox with adapter KQS	
	B..29 ... B..49	5/126
	K..39 ... K..189	

SIMOGEAR Gearboxes

Bevel gearboxes

Dimensions

Dimensional drawing overview (continued)

Representation	Gearbox type	Dimensional drawing on page
Bevel gearbox with adapter K8 	B..39 ... B..49 K..39 ... K..89	5/128
Bevel gearbox with adapter K5 	B..29 ... B..49 K..39 ... K..89	5/130
Bevel gearbox with adapter K3 	B..29 ... B..49 K..39 ... K..89	5/132
Additional versions and options 	SIMOLOC assembly system	5/134
	Protection cover for hollow shaft	5/136
	Inner contour of the flange design	5/137
	Pin holes	5/139

SIMOGEAR Gearboxes

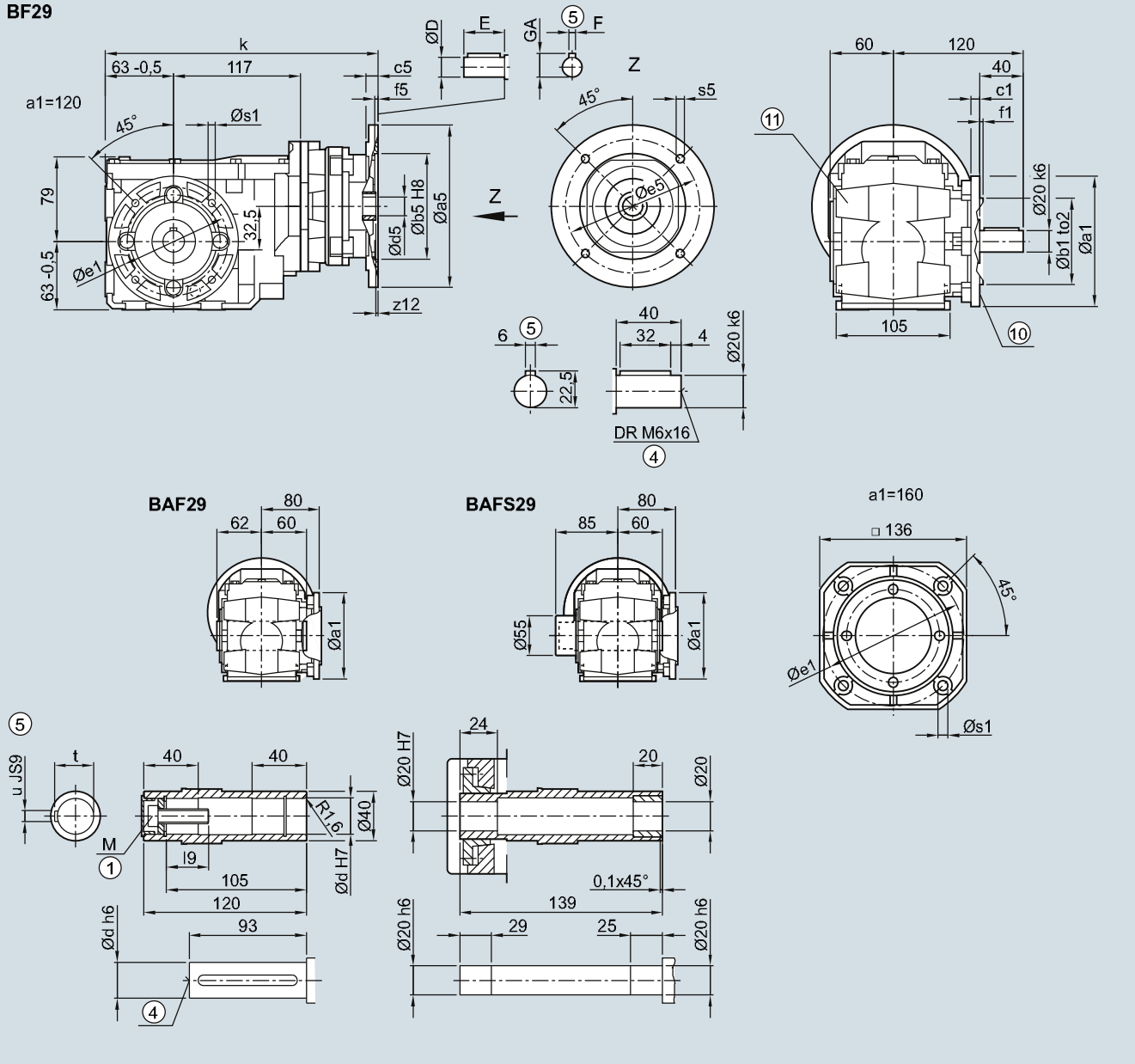
Bevel gearbox with adapter K4

Dimensions

B.F.29 gearbox in a flange-mounted design

BF030K4, BAF030K4, BAFS030K4

BF29



Flange	a1	b1	to2	c1	e1	f1	s1						
	120	80	j6	8	100	3.0	6.6						
	160	110	j6	9	130	3.5	9.0						
Shaft	d	i9	M	t	u								
	20	23.4	M6	22.8	6								
	25	27.6	M10	28.3	8								
Adapter	a5	b5	c5	f5	e5	s5	z12	d5/D	E	F	GA	k	
	63	140	95	12	4.5	115	M8	2.5	11	23	4	12.5	257.5
	71	160	110	12	4.5	130	M8	2.5	14	30	5	16.0	257.5
	80	200	130	15	4.5	165	M10	4.0	19	40	6	12.5	285.5
	90	200	130	15	4.5	165	M10	4.0	24	50	8	27.0	285.5
	100	250	180	14	5.0	215	M12x21	7.5	28	60	8	31.0	340.0

① ISO 4014

④ DIN 332

⑤ Feather key/keyway DIN 6885

⑩ Use bores only for foot-mounted design

SIMOGEAR Gearboxes

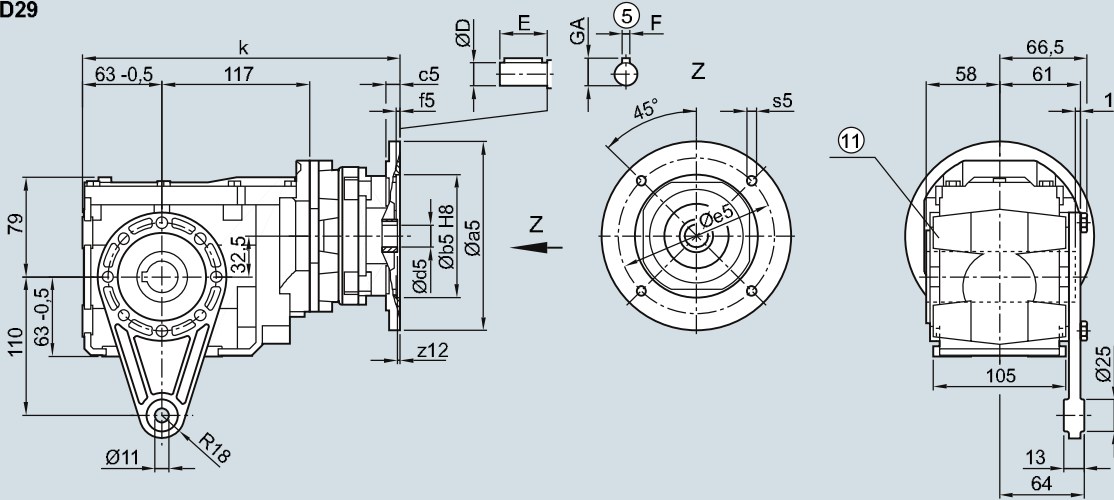
Bevel gearbox with adapter K4

Dimensions

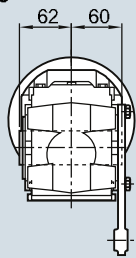
BAD.29 gearbox in a shaft-mounted design

BAD030K4, BADS030K4

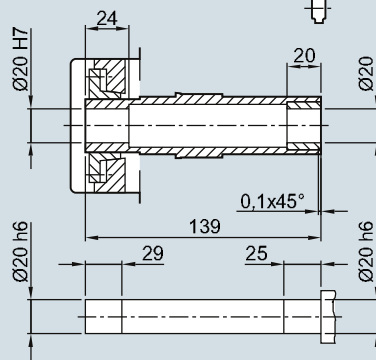
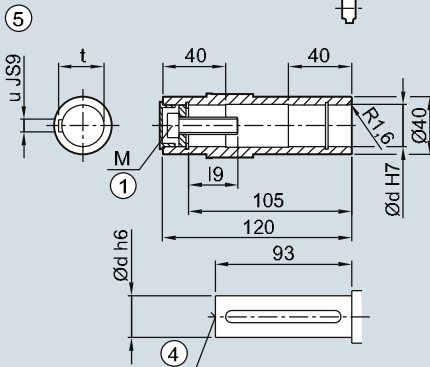
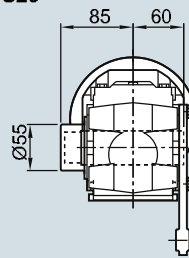
BAD29



BAD29



BADS29



Shaft	d	l9	M	t	u							
	20	23.4	M6	22.8	6							
	25	27.6	M10	28.3	8							
Adapter	a5	b5	c5	f5	e5	s5	z12	d5/D	E	F	GA	k
63	140	95	12	4.5	115	M8	2.5	11	23	4	12.5	257.5
71	160	110	12	4.5	130	M8	2.5	14	30	5	16.0	257.5
80	200	130	15	4.5	165	M10	4.0	19	40	6	12.5	285.5
90	200	130	15	4.5	165	M10	4.0	24	50	8	27.0	285.5
100	250	180	14	5.0	215	M12x21	7.5	28	60	8	31.0	340.0

① ISO 4014

④ DIN 332

⑤ Feather key/keyway DIN 6885

⑩ Use bores only for foot-mounted design

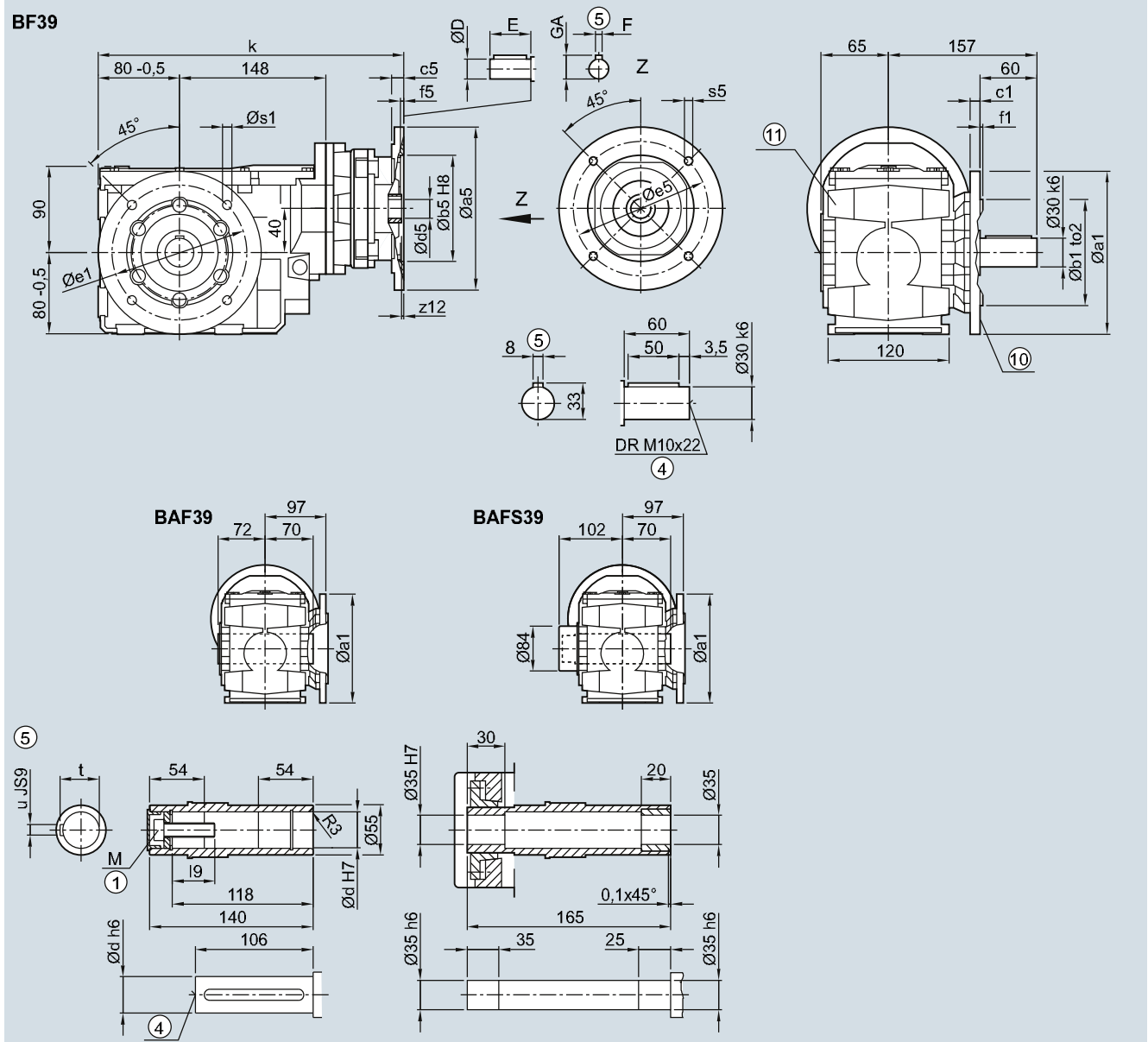
SIMOGEAR Gearboxes

Bevel gearbox with adapter K4

Dimensions

B.F.39 gearbox in a flange-mounted design

BF030K4, BAF030K4, BAFS030K4



Flange	a1	b1	to2	c1	e1	f1	s1
	160	110	j6	10	130	3.5	11.0
	200	130	j6	12	165	3.5	11.0

Shaft	d	I9	M	t	u
	30	32.6	M10	33.3	8
	35	37.0	M12	38.3	10
	40	47.75	M16	43.3	12

Adapter	a5	b5	c5	f5	e5	s5	z12	d5/D	E	F	GA	k
63	140	95	12	4.5	115	M8	2.5	11	23	4	12.5	305.5
71	160	110	12	4.5	130	M8	2.5	14	30	5	16.0	305.5
80	200	130	15	4.5	165	M10	4.0	19	40	6	12.5	333.5
90	200	130	15	4.5	165	M10	4.0	24	50	8	27.0	333.5
100	250	180	14	5.0	215	M12x21	7.5	28	60	8	31.0	388.0
112	250	180	14	5.0	215	M12x21	7.5	28	60	8	31.0	388.0

① ISO 4014

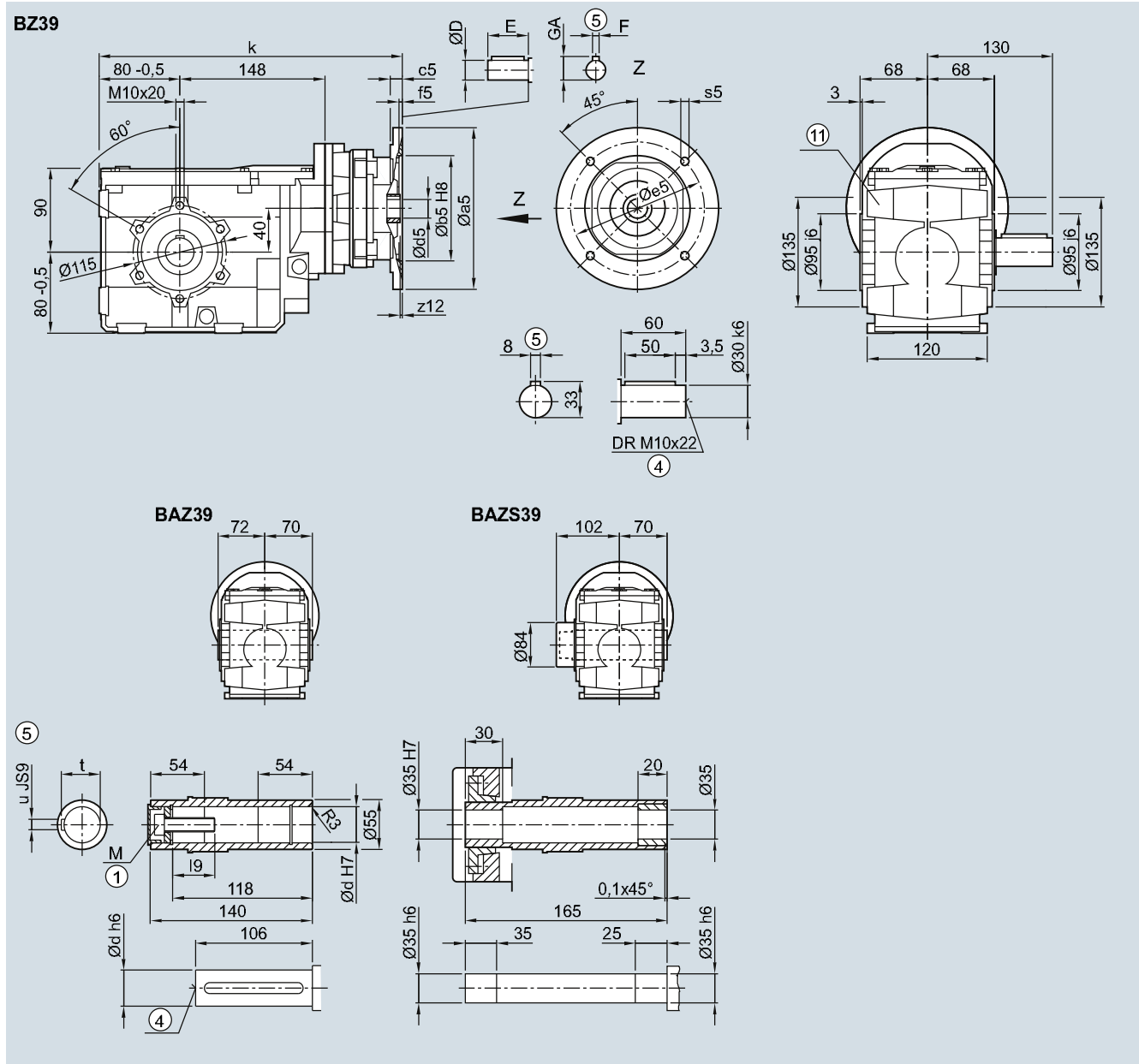
④ DIN 332

⑤ Feather key/keyway DIN 6885

⑩ Use bores only for foot-mounted design

B.Z.39 in a housing flange design

BZ030K4, BAZ030K4, BAZS030K4



Shaft	d	I9	M	t	u
	30	32.6	M10	33.3	8
	35	37.0	M12	38.3	10
	40	47.75	M16	43.3	12

Adapter	a5	b5	c5	f5	e5	s5	z12	d5/D	E	F	GA	k
63	140	95	12	4.5	115	M8	2.5	11	23	4	12.5	305.5
71	160	110	12	4.5	130	M8	2.5	14	30	5	16.0	305.5
80	200	130	15	4.5	165	M10	4.0	19	40	6	12.5	333.5
90	200	130	15	4.5	165	M10	4.0	24	50	8	27.0	333.5
100	250	180	14	5.0	215	M12x21	7.5	28	60	8	31.0	388.0
112	250	180	14	5.0	215	M12x21	7.5	28	60	8	31.0	388.0

① ISO 4014

④ DIN 332

⑤ Feather key/keyway DIN 6885

⑩ Use bores only for foot-mounted design

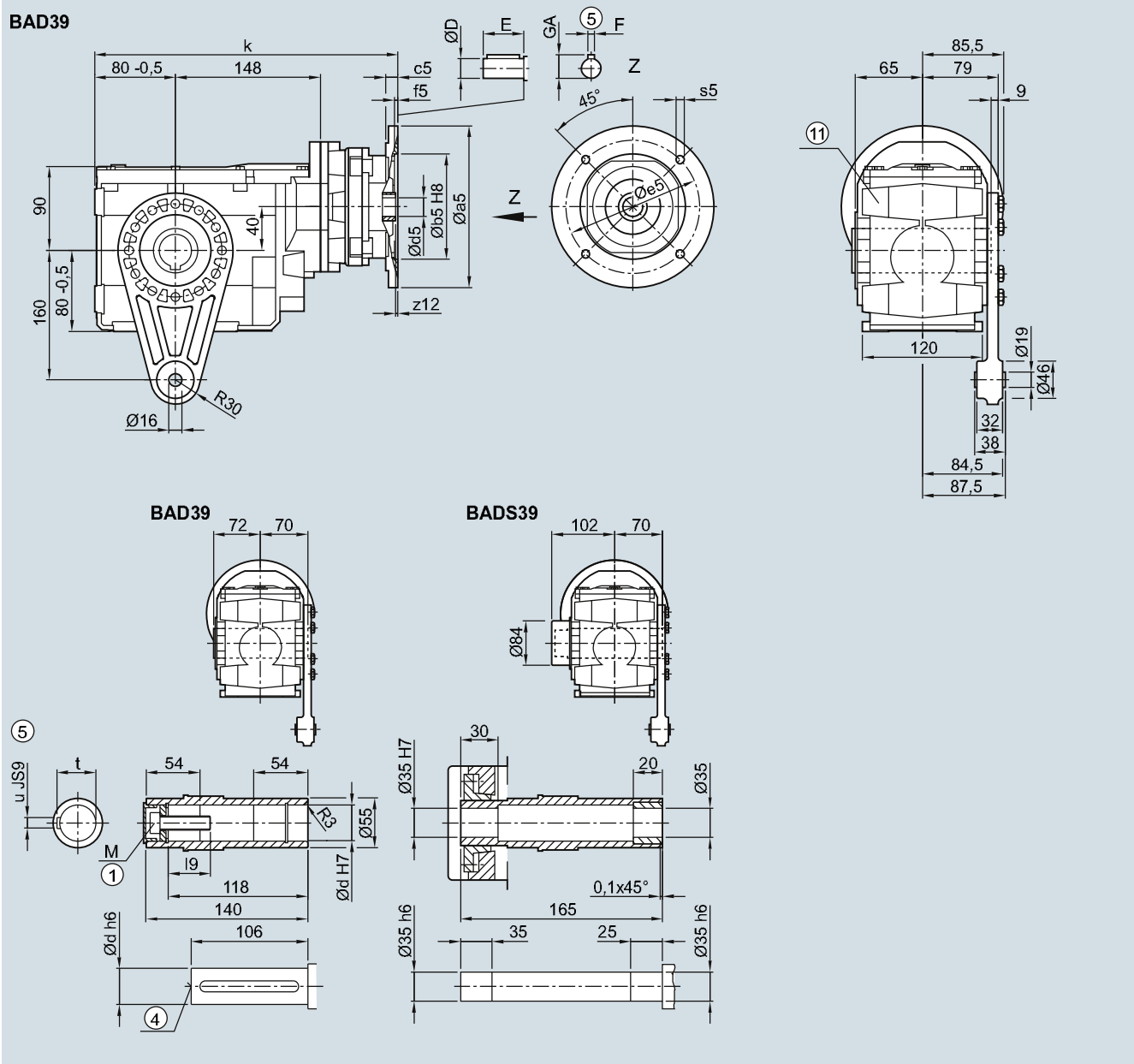
SIMOGEAR Gearboxes

Bevel gearbox with adapter K4

Dimensions

BAD.39 gearbox in a shaft-mounted design

BAD030K4, BADS030K4



Shaft	d	I9	M	t	u
	30	32.6	M10	33.3	8
	35	37.0	M12	38.3	10
	40	47.75	M16	43.3	12

Adapter	a5	b5	c5	f5	e5	s5	z12	d5/D	E	F	GA	k
63	140	95	12	4.5	115	M8	2.5	11	23	4	12.5	305.5
71	160	110	12	4.5	130	M8	2.5	14	30	5	16.0	305.5
80	200	130	15	4.5	165	M10	4.0	19	40	6	12.5	333.5
90	200	130	15	4.5	165	M10	4.0	24	50	8	27.0	333.5
100	250	180	14	5.0	215	M12x21	7.5	28	60	8	31.0	388.0
112	250	180	14	5.0	215	M12x21	7.5	28	60	8	31.0	388.0

① ISO 4014

④ DIN 332

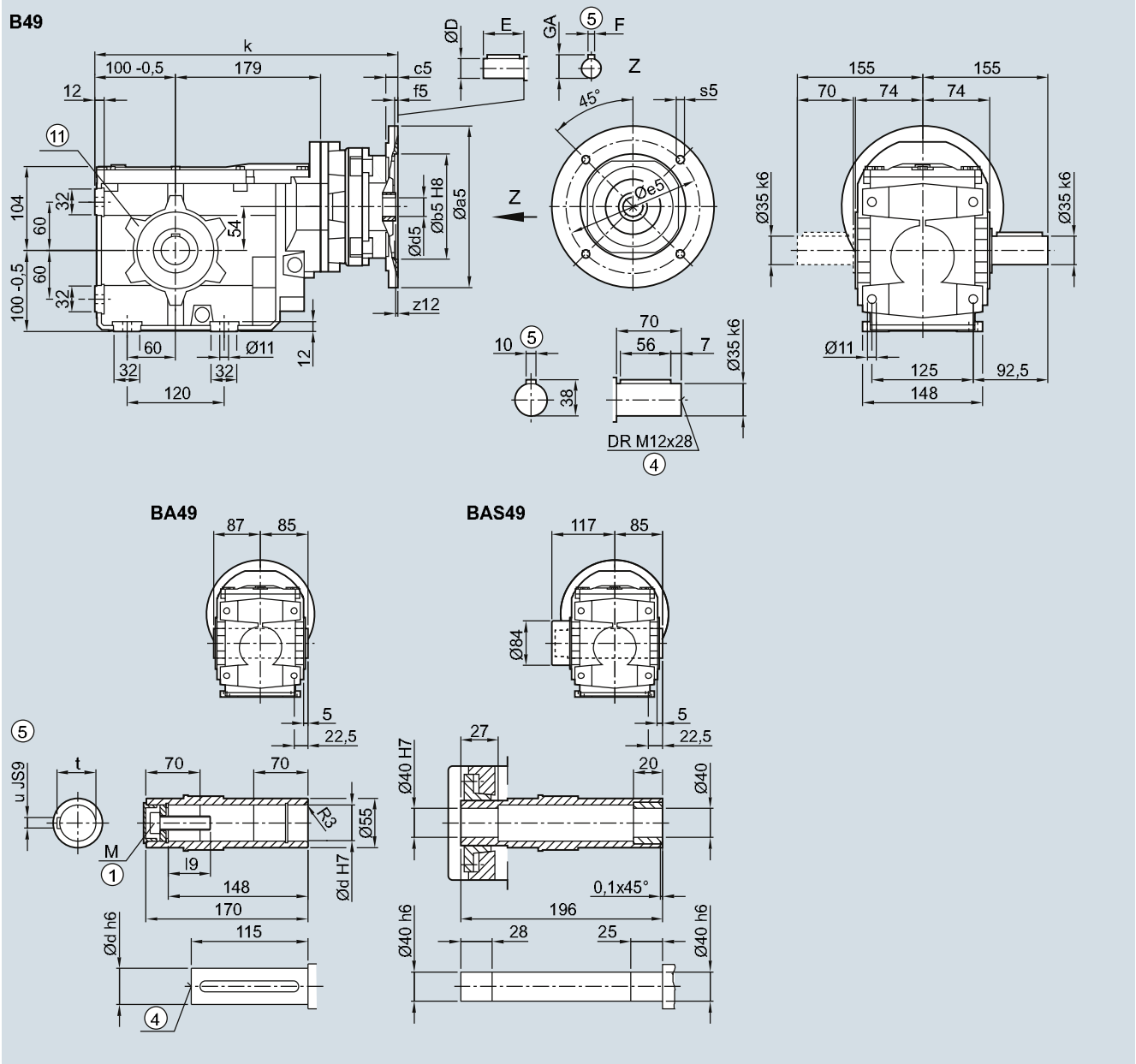
⑤ Feather key/keyway DIN 6885

⑩ Use bores only for foot-mounted design



B..49 gearbox in a foot-mounted design

B030K4, BA030K4, BAS030K4



Shaft	d	I9	M	t	u
	35	42	M12	38.3	10
	40	47.75	M16	43.3	12

Adapter	a5	b5	c5	f5	e5	s5	z12	d5/D	E	F	GA	k
63	140	95	12	4.5	115	M8	2.5	11	23	4	12.5	347.0
71	160	110	12	4.5	130	M8	2.5	14	30	5	16.0	347.0
80	200	130	15	4.5	165	M10	4.0	19	40	6	12.5	375.0
90	200	130	15	4.5	165	M10	4.0	24	50	8	27.0	375.0
100	250	180	14	5.0	215	M12x21	7.5	28	60	8	31.0	429.5
112	250	180	14	5.0	215	M12x21	7.5	28	60	8	31.0	429.5
132	300	230	12	6.0	265	M12x20	3.0	38	80	10	41.0	447.0

① ISO 4014

④ DIN 332

⑤ Feather key/keyway DIN 6885

⑩ Use bores only for housing flange design

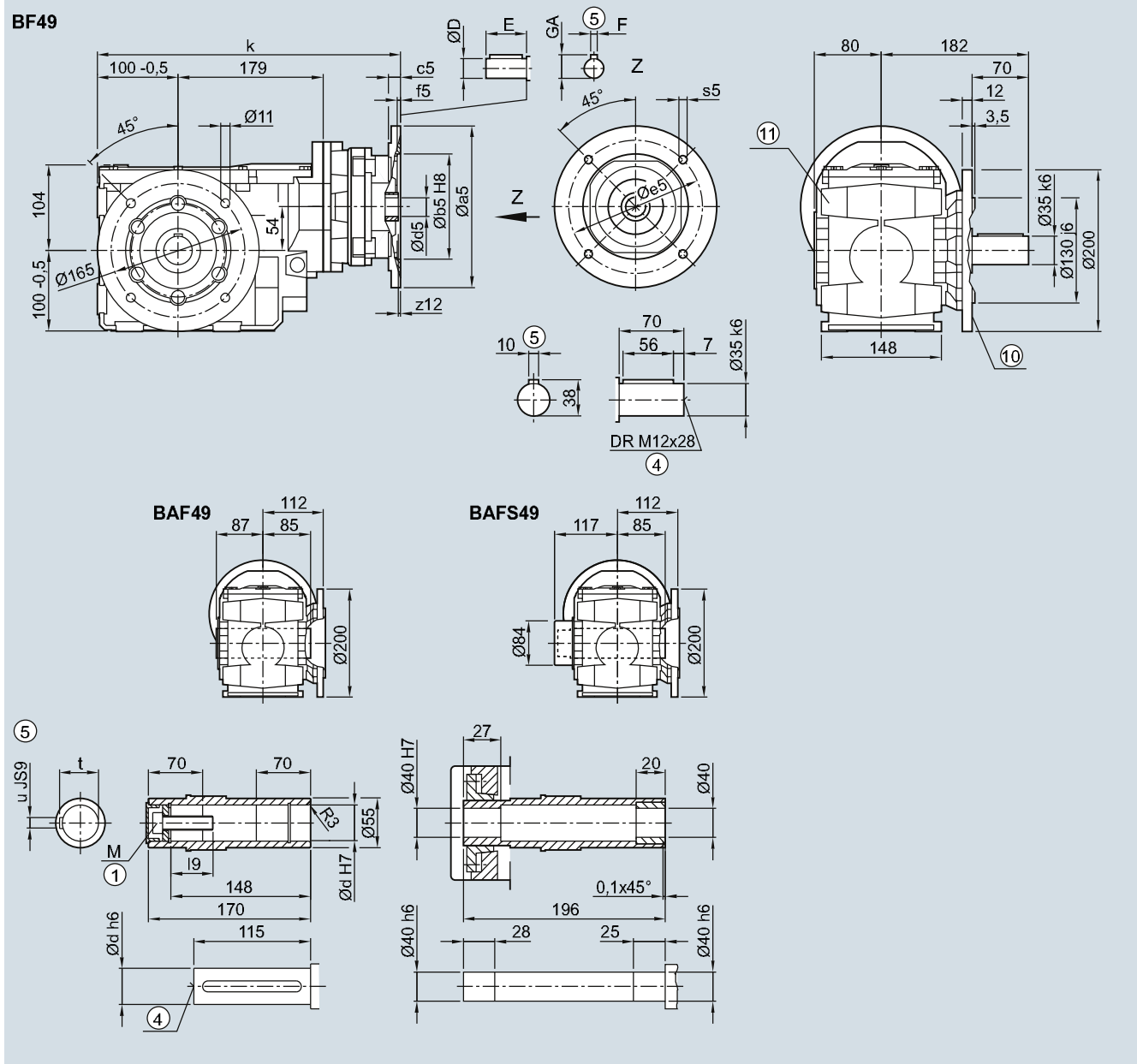
SIMOGEAR Gearboxes

Bevel gearbox with adapter K4

Dimensions

B.F.49 gearbox in a flange-mounted design

BF030K4, BAF030K4, BAFS030K4



Shaft	d	I9	M	t	u
	35	42.0	M12	38.3	10
	40	47.75	M16	43.3	12

Adapter	a5	b5	c5	f5	e5	s5	z12	d5/D	E	F	GA	k
63	140	95	12	4.5	115	M8	2.5	11	23	4	12.5	347.0
71	160	110	12	4.5	130	M8	2.5	14	30	5	16.0	347.0
80	200	130	15	4.5	165	M10	4.0	19	40	6	12.5	375.0
90	200	130	15	4.5	165	M10	4.0	24	50	8	27.0	375.0
100	250	180	14	5.0	215	M12x21	7.5	28	60	8	31.0	429.5
112	250	180	14	5.0	215	M12x21	7.5	28	60	8	31.0	429.5
132	300	230	12	6.0	265	M12x20	3.0	38	80	10	41.0	447.0

① ISO 4014

④ DIN 332

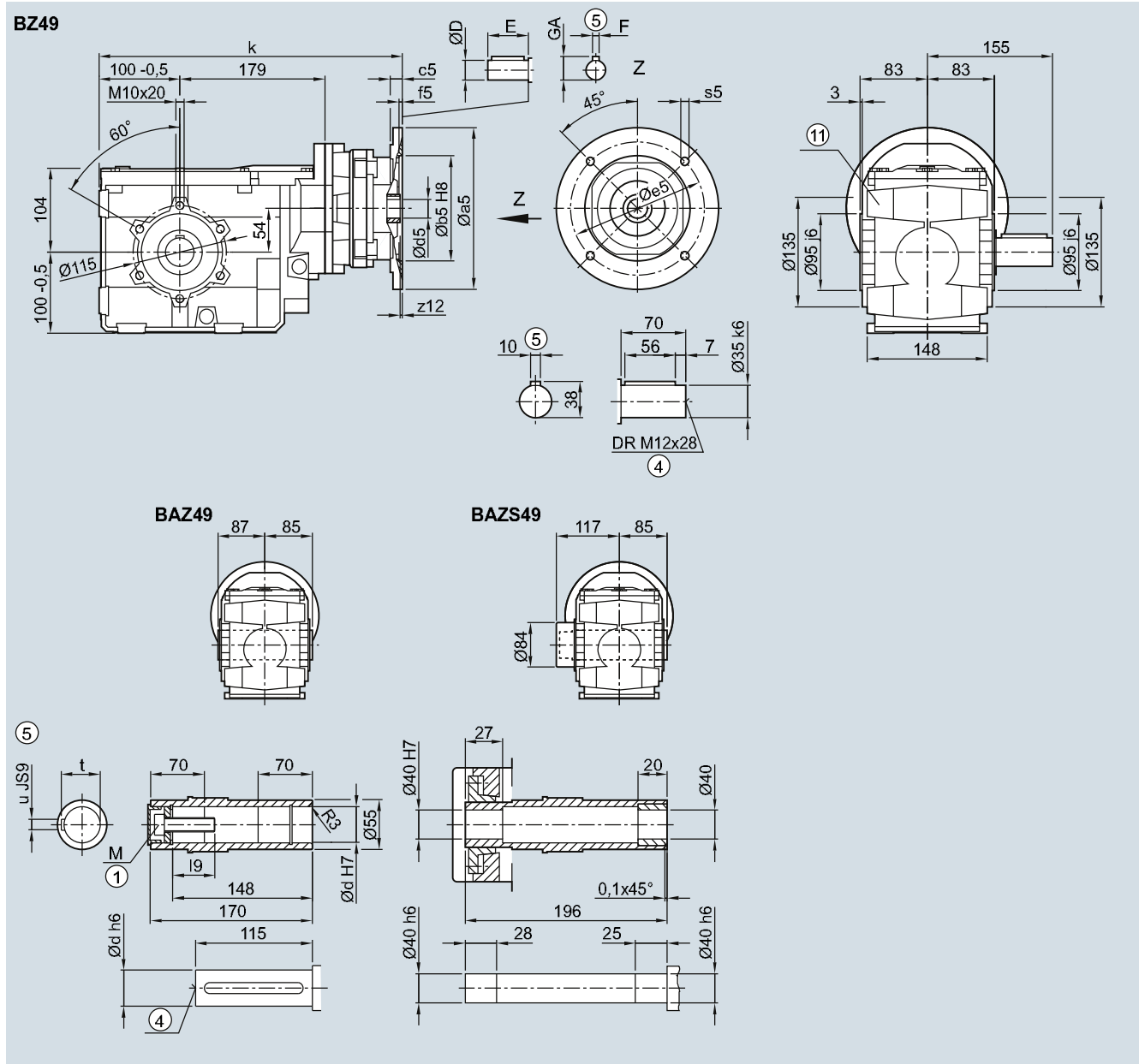
⑤ Feather key/keyway DIN 6885

⑩ Use bores only for foot-mounted design



B.Z.49 in a housing flange design

BZ030K4, BAZ030K4, BAZS030K4



Shaft	d	I9	M	t	u
	35	42.0	M12	38.3	10
	40	47.75	M16	43.3	12

Adapter	a5	b5	c5	f5	e5	s5	z12	d5/D	E	F	GA	k
63	140	95	12	4.5	115	M8	2.5	11	23	4	12.5	347.0
71	160	110	12	4.5	130	M8	2.5	14	30	5	16.0	347.0
80	200	130	15	4.5	165	M10	4.0	19	40	6	12.5	375.0
90	200	130	15	4.5	165	M10	4.0	24	50	8	27.0	375.0
100	250	180	14	5.0	215	M12x21	7.5	28	60	8	31.0	429.5
112	250	180	14	5.0	215	M12x21	7.5	28	60	8	31.0	429.5
132	300	230	12	6.0	265	M12x20	3.0	38	80	10	41.0	447.0

① ISO 4014

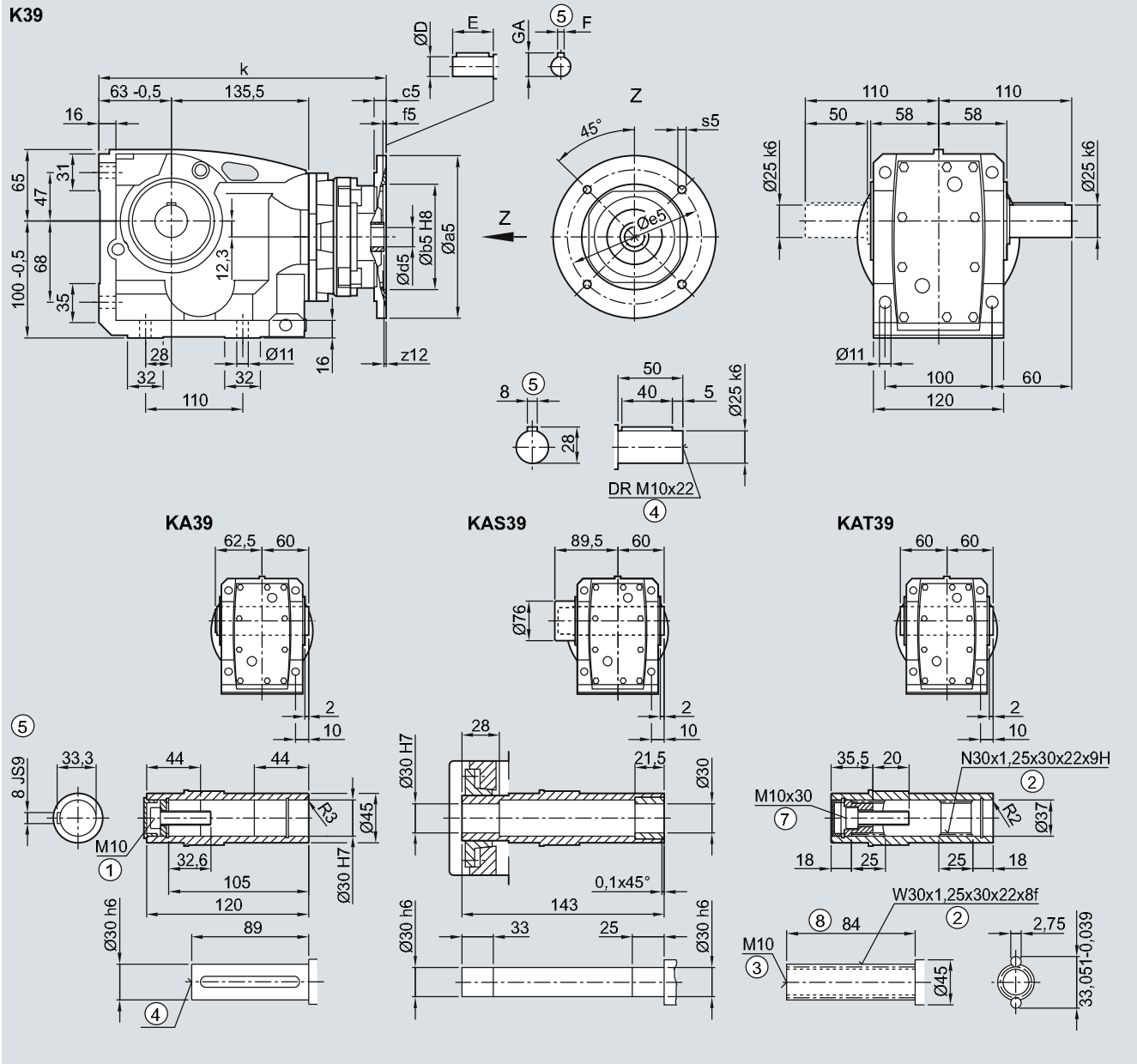
④ DIN 332

⑤ Feather key/keyway DIN 6885

⑪ Use bores only for foot-mounted design

K.39 gearbox in a foot-mounted design

K030K4, KA030K4, KAS030K4, KAT030K4



Adapter	a5	b5	c5	f5	e5	s5	z12	d5/D	E	F	GA	k
63	140	95	12	4.5	115	M8	2.5	11	23	4	12.5	275.5
71	160	110	12	4.5	130	M8	2.5	14	30	5	16.0	275.5
80	200	130	15	4.5	165	M10	4.0	19	40	6	12.5	303.5
90	200	130	15	4.5	165	M10	4.0	24	50	8	27.0	303.5
100	250	180	14	5.0	215	M12x21	7.5	28	60	8	31.0	358.0
112	250	180	14	5.0	215	M12x21	7.5	28	60	8	31.0	358.0

① ISO 4014 ② DIN 5480 ③ DIN 332-D ④ DIN 332 ⑤ Feather key/keyway DIN 6885 ⑦ ISO 4762 ⑧ Without locating shoulder +1 mm

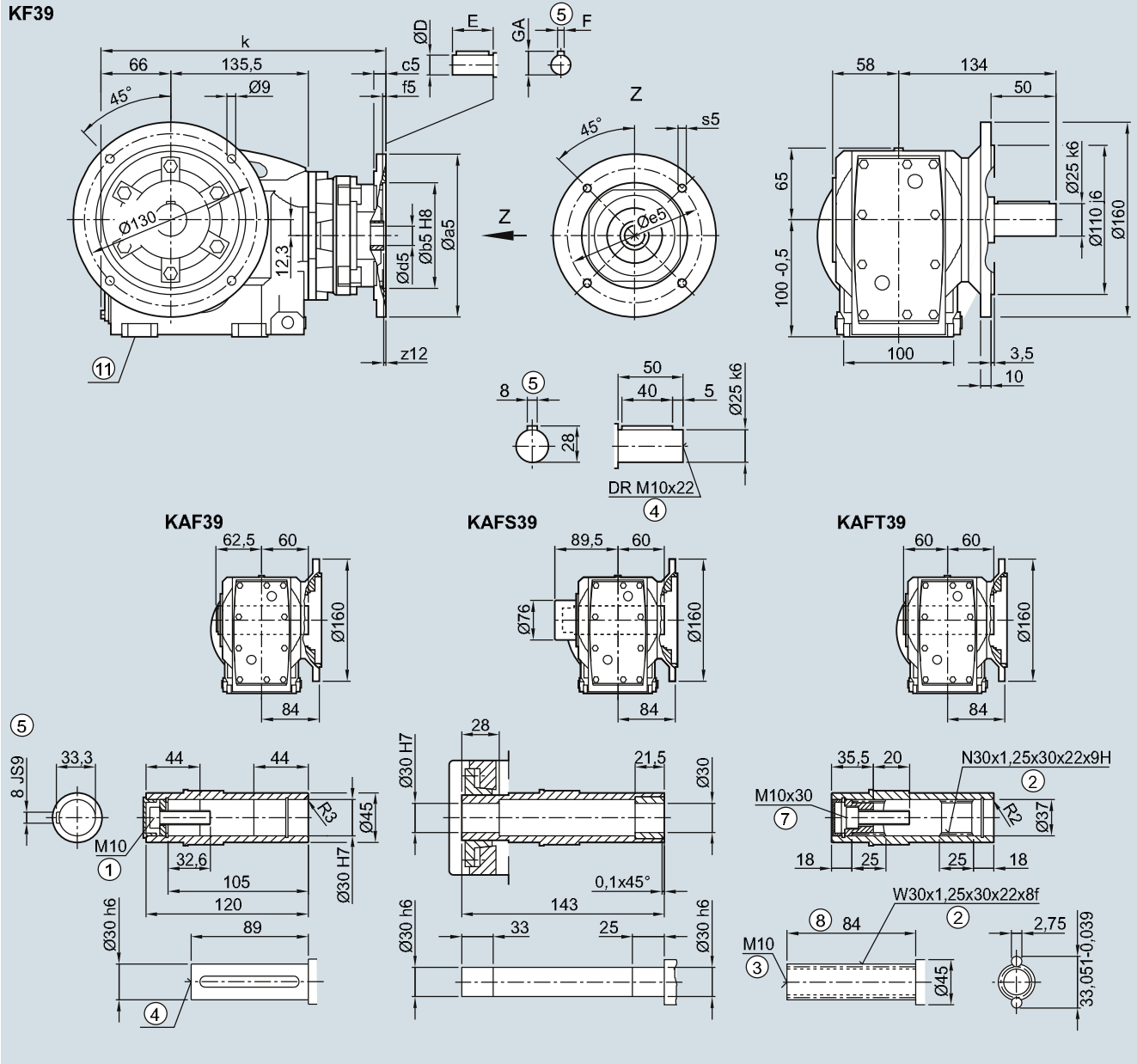
SIMOGEAR Gearboxes

Bevel gearbox with adapter K4

Dimensions

K.F.39 gearbox in a flange-mounted design

KF030K4, KAF030K4, KAFS030K4, KAFT030K4

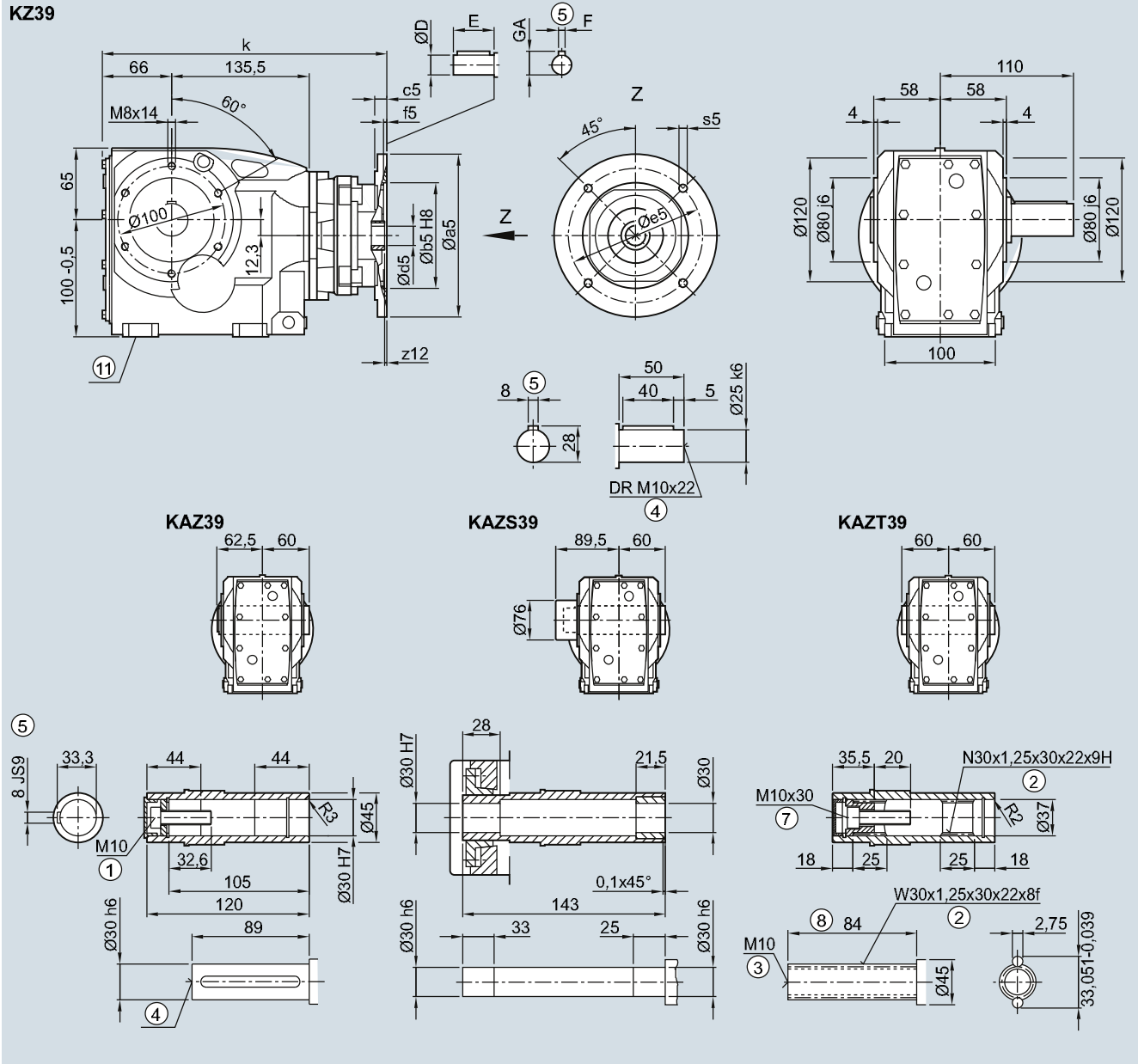


Adapter	a5	b5	c5	f5	e5	s5	z12	d5/D	E	F	GA	k
63	140	95	12	4.5	115	M8	2.5	11	23	4	12.5	278.5
71	160	110	12	4.5	130	M8	2.5	14	30	5	16.0	278.5
80	200	130	15	4.5	165	M10	4.0	19	40	6	12.5	306.5
90	200	130	15	4.5	165	M10	4.0	24	50	8	27.0	306.5
100	250	180	14	5.0	215	M12x21	7.5	28	60	8	31.0	361.0
112	250	180	14	5.0	215	M12x21	7.5	28	60	8	31.0	361.0

① ISO 4014 ② DIN 5480 ③ DIN 332-D ④ DIN 332 ⑤ Feather key/keyway DIN 6885
 ⑦ ISO 4762 ⑧ Without locating shoulder +1 mm ⑩ Use bores only for foot-mounted design

K.Z.39 gearbox in a housing flange design

KZ030K4, KAZ030K4, KAZS030K4, KAZT030K4



Adapter	a5	b5	c5	f5	e5	s5	z12	d5/D	E	F	GA	k
63	140	95	12	4.5	115	M8	2.5	11	23	4	12.5	278.5
71	160	110	12	4.5	130	M8	2.5	14	30	5	16.0	278.5
80	200	130	15	4.5	165	M10	4.0	19	40	6	12.5	306.5
90	200	130	15	4.5	165	M10	4.0	24	50	8	27.0	306.5
100	250	180	14	5.0	215	M12x21	7.5	28	60	8	31.0	361.0
112	250	180	14	5.0	215	M12x21	7.5	28	60	8	31.0	361.0

① ISO 4014 ② DIN 5480 ③ DIN 332-D ④ DIN 332 ⑤ Feather key/keyway DIN 6885
 ⑦ ISO 4762 ⑧ Without locating shoulder +1 mm ⑨ Use bores only for foot-mounted design

SIMOGEAR Gearboxes

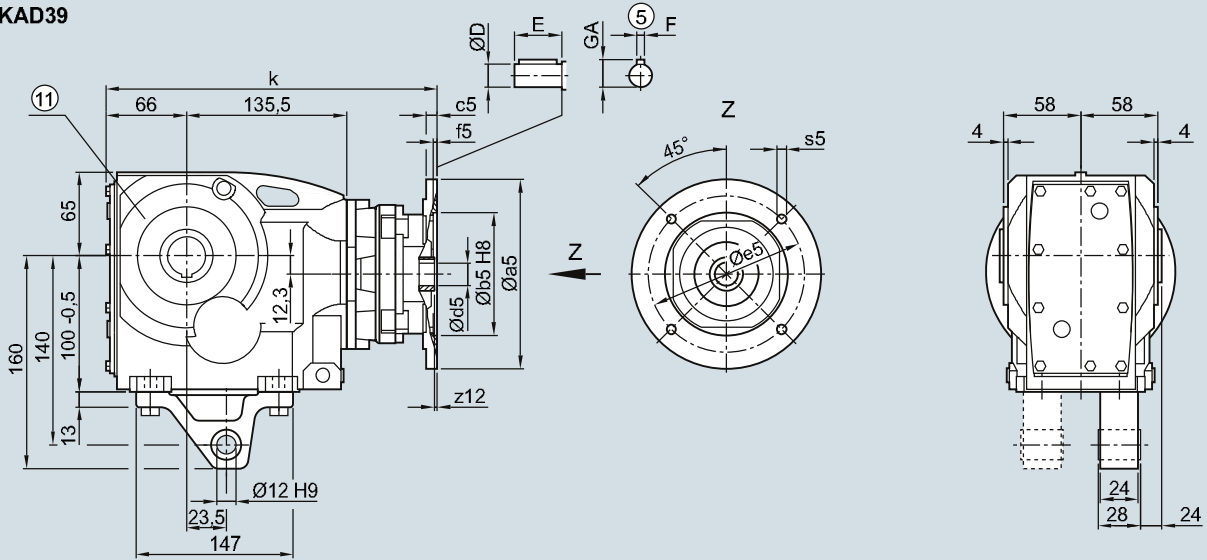
Bevel gearbox with adapter K4

Dimensions

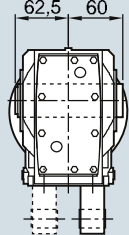
KAD.39 gearbox in a shaft-mounted design

KAD030K4, KADS030K4, KADT030K4

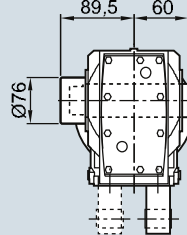
KAD39



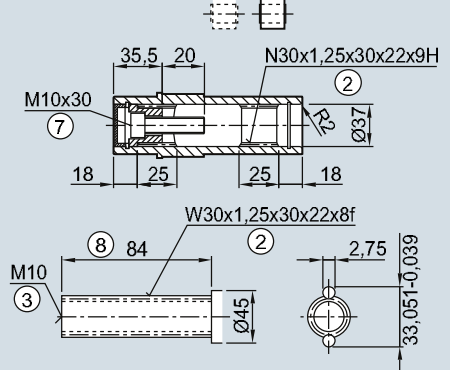
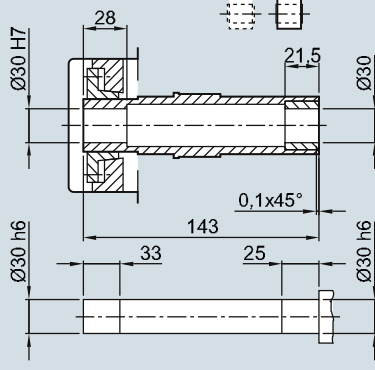
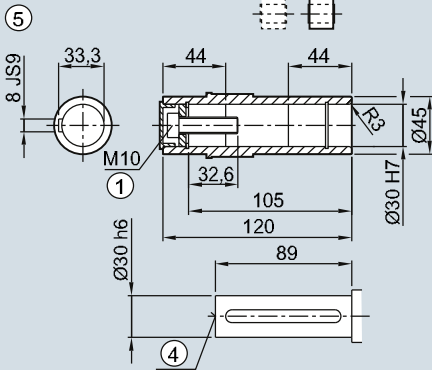
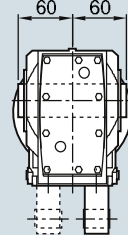
KAD39



KADS39



KADT39



Adapter	a5	b5	c5	f5	e5	s5	z12	d5/D	E	F	GA	k
63	140	95	12	4.5	115	M8	2.5	11	23	4	12.5	278.5
71	160	110	12	4.5	130	M8	2.5	14	30	5	16.0	278.5
80	200	130	15	4.5	165	M10	4.0	19	40	6	12.5	306.5
90	200	130	15	4.5	165	M10	4.0	24	50	8	27.0	306.5
100	250	180	14	5.0	215	M12x21	7.5	28	60	8	31.0	361.0
112	250	180	14	5.0	215	M12x21	7.5	28	60	8	31.0	361.0

① ISO 4014
⑦ ISO 4762

② DIN 5480
⑧ Without locating shoulder +1 mm

③ DIN 332-D

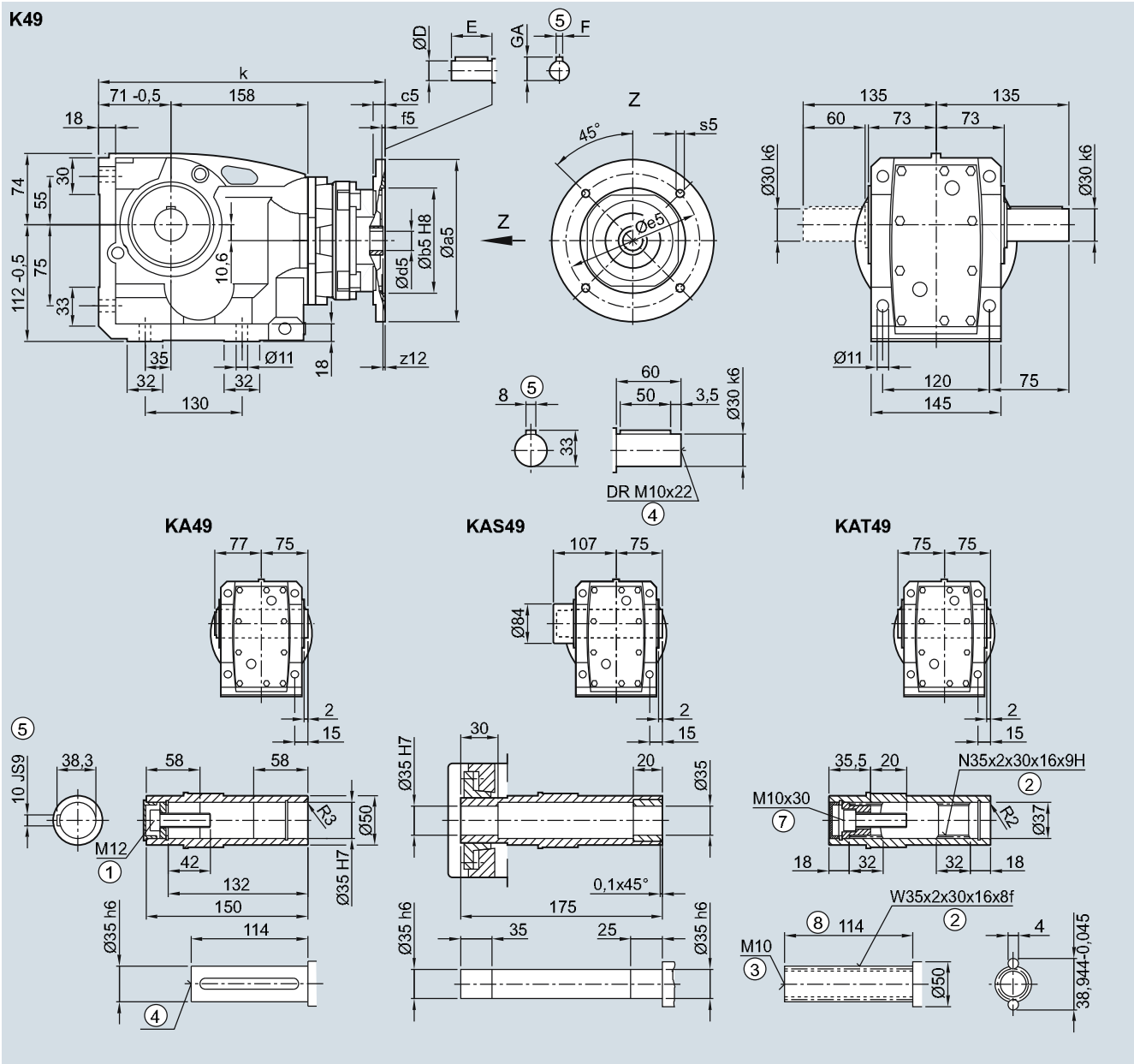
④ DIN 332

⑤ Feather key/keyway DIN 6885

⑩ Use bores only for housing flange design

K.49 gearbox in a foot-mounted design

K030K4, KA030K4, KAS030K4, KAT030K4



Adapter	a5	b5	c5	f5	e5	s5	z12	d5/D	E	F	GA	k
63	140	95	12	4.5	115	M8	2.5	11	23	4	12.5	297.0
71	160	110	12	4.5	130	M8	2.5	14	30	5	16.0	297.0
80	200	130	15	4.5	165	M10	4.0	19	40	6	12.5	325.0
90	200	130	15	4.5	165	M10	4.0	24	50	8	27.0	325.0
100	250	180	14	5	215	M12x21	7.5	28	60	8	31.0	379.5
112	250	180	14	5	215	M12x21	7.5	28	60	8	31.0	379.5
132	300	230	12	6	265	M12x20	3.0	38	80	10	41.0	397.0

① ISO 4014 ② DIN 5480 ③ DIN 332-D ④ DIN 332 ⑤ Feather key/keyway DIN 6885 ⑦ ISO 4762 ⑧ Without locating shoulder +1 mm

SIMOGEAR Gearboxes

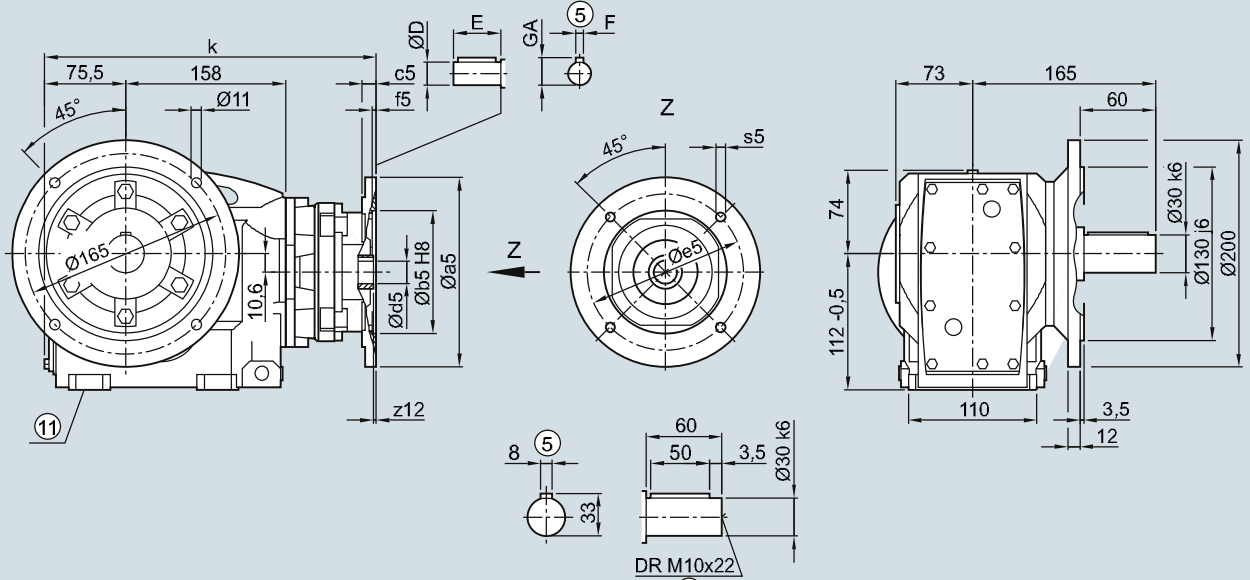
Bevel gearbox with adapter K4

Dimensions

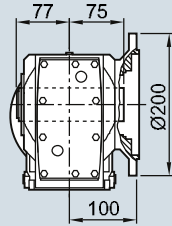
K.F.49 gearbox in a flange-mounted design

KF030K4, KAF030K4, KAFS030K4, KAFT030K4

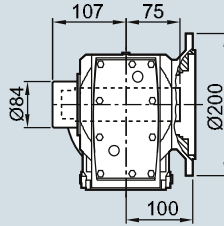
KF49



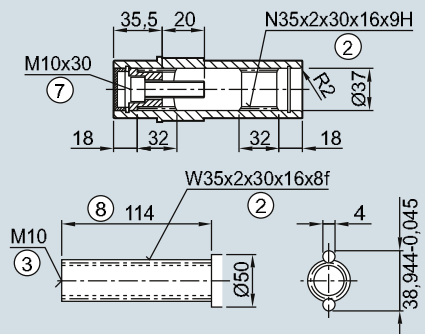
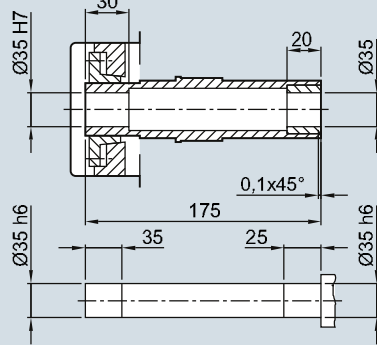
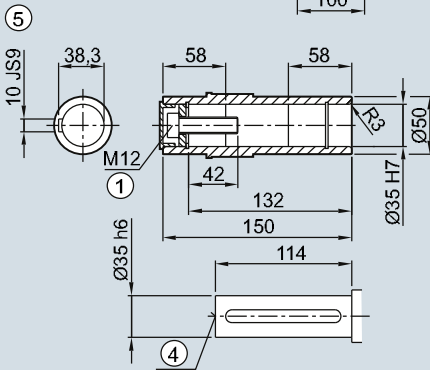
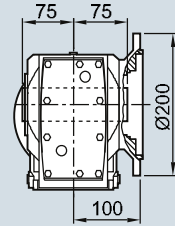
KAF49



KAFS49



KAFT49

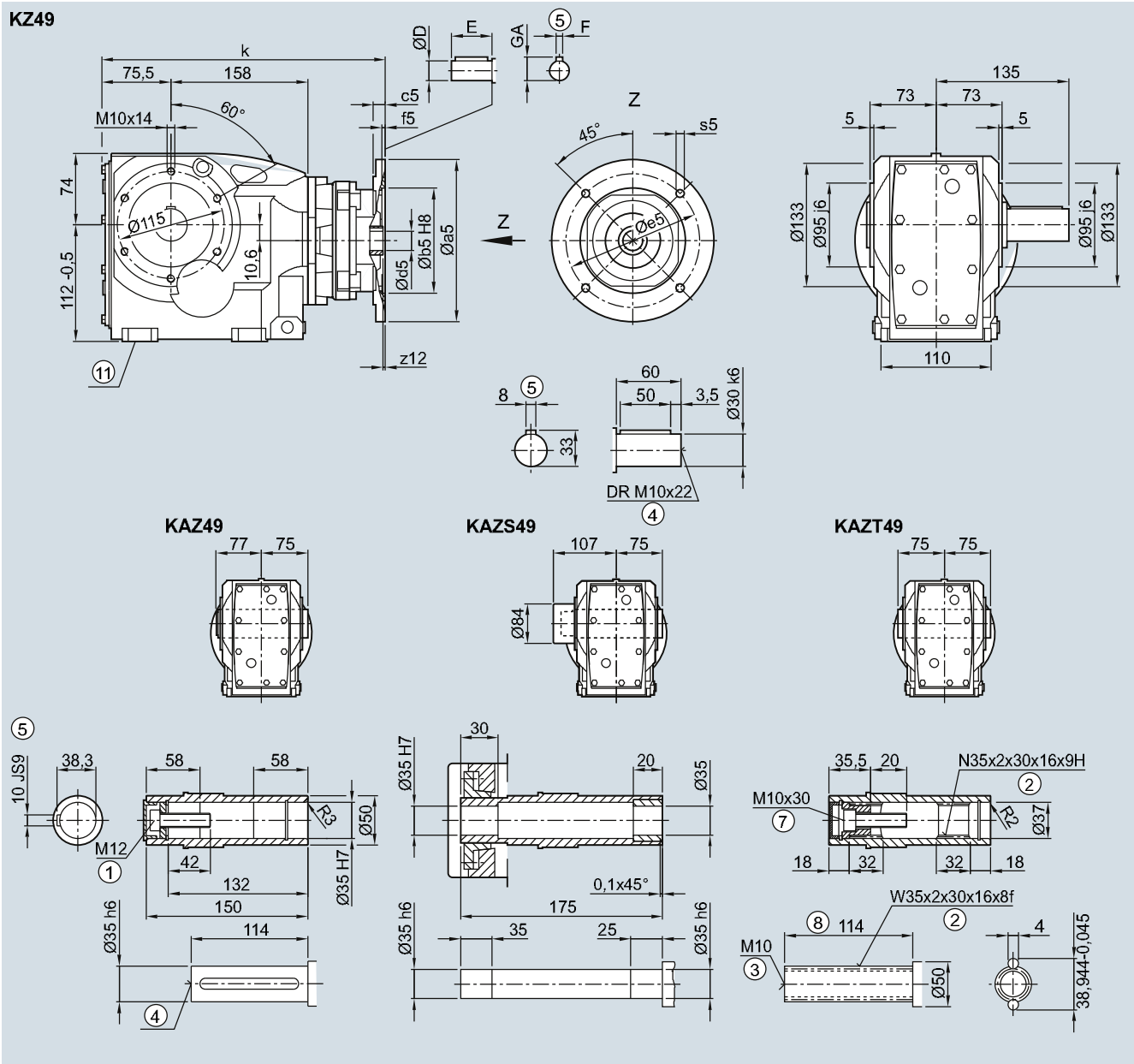


Adapter	a5	b5	c5	f5	e5	s5	z12	d5/D	E	F	GA	k
63	140	95	12	4.5	115	M8	2.5	11	23	4	12.5	301.5
71	160	110	12	4.5	130	M8	2.5	14	30	5	16.0	301.5
80	200	130	15	4.5	165	M10	4.0	19	40	6	12.5	329.5
90	200	130	15	4.5	165	M10	4.0	24	50	8	27.0	329.5
100	250	180	14	5.0	215	M12x21	7.5	28	60	8	31.0	384.0
112	250	180	14	5.0	215	M12x21	7.5	28	60	8	31.0	384.0
132	300	230	12	6.0	265	M12x20	3.0	38	80	10	41.0	401.5

① ISO 4014 ② DIN 5480 ③ DIN 332-D ④ DIN 332 ⑤ Feather key/keyway DIN 6885
 ⑦ ISO 4762 ⑧ Without locating shoulder +1 mm ⑨ Use bores only for foot-mounted design

K.Z.49 in a housing flange design

KZ030K4, KAZ030K4, KAZS030K4, KAZT030K4



Adapter	a5	b5	c5	f5	e5	s5	z12	d5/D	E	F	GA	k
63	140	95	12	4.5	115	M8	2.5	11	23	4	12.5	301.5
71	160	110	12	4.5	130	M8	2.5	14	30	5	16.0	301.5
80	200	130	15	4.5	165	M10	4.0	19	40	6	12.5	329.5
90	200	130	15	4.5	165	M10	4.0	24	50	8	27.0	329.5
100	250	180	14	5.0	215	M12x21	7.5	28	60	8	31.0	384.0
112	250	180	14	5.0	215	M12x21	7.5	28	60	8	31.0	384.0
132	300	230	12	6.0	265	M12x20	3.0	38	80	10	41.0	401.5

① ISO 4014 ② DIN 5480 ③ DIN 332-D ④ DIN 332 ⑤ Feather key/keyway DIN 6885
 ⑦ ISO 4762 ⑧ Without locating shoulder +1 mm ⑨ Use bores only for foot-mounted design

SIMOGEAR Gearboxes

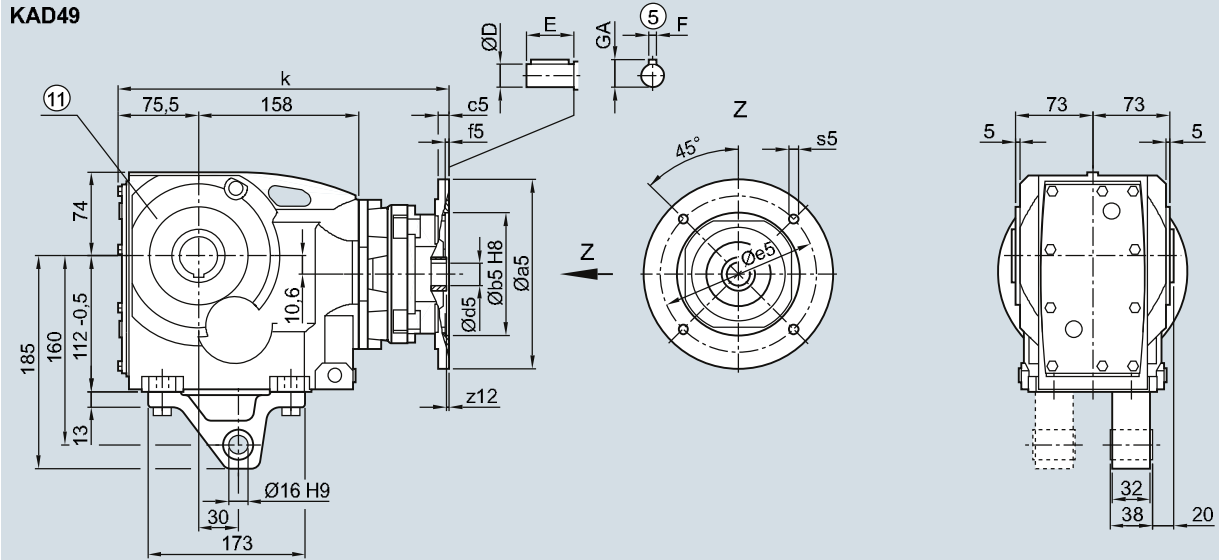
Bevel gearbox with adapter K4

Dimensions

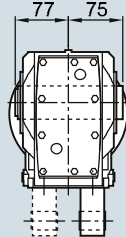
KAD.49 gearbox in a shaft-mounted design

KAD030K4, KADS030K4, KADT030K4

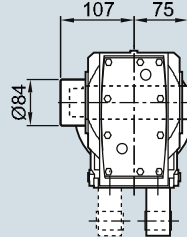
KAD49



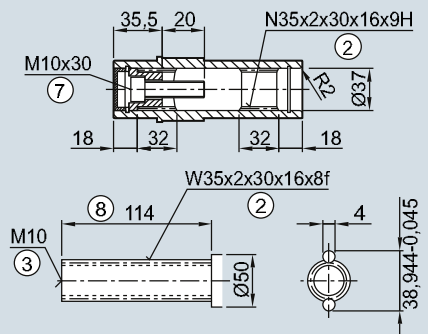
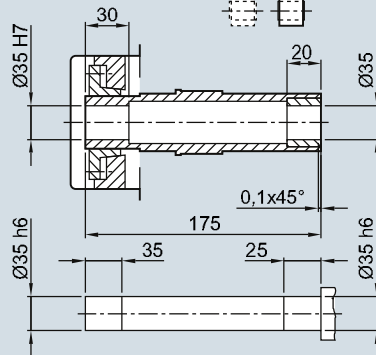
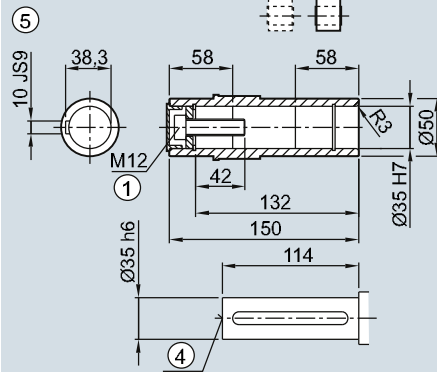
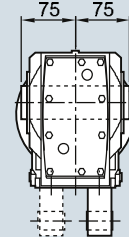
KAD49



KADS49



KADT49

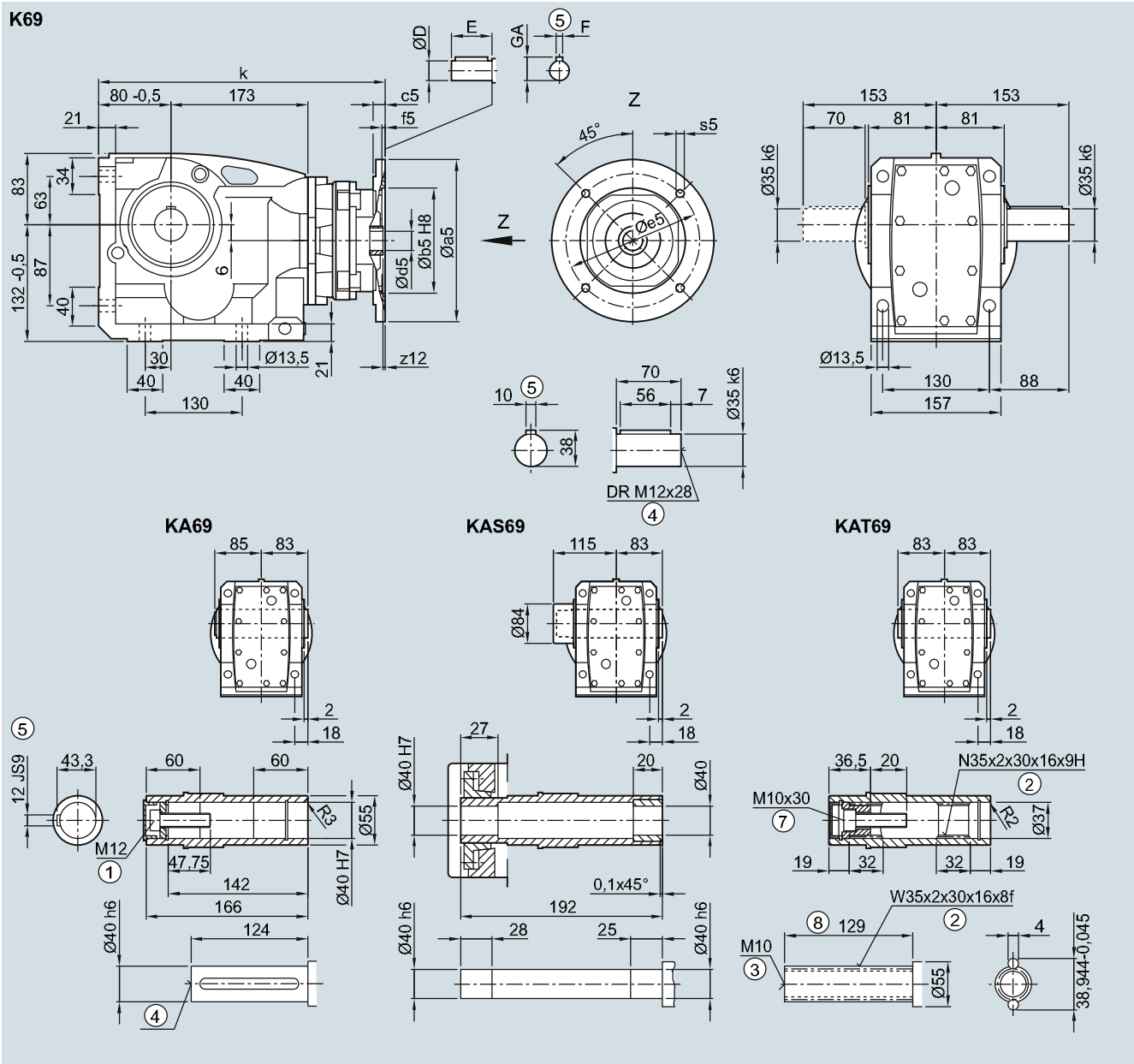


Adapter	a5	b5	c5	f5	e5	s5	z12	d5/D	E	F	GA	k
63	140	95	12	4.5	115	M8	2.5	11	23	4	12.5	301.5
71	160	110	12	4.5	130	M8	2.5	14	30	5	16.0	301.5
80	200	130	15	4.5	165	M10	4.0	19	40	6	12.5	329.5
90	200	130	15	4.5	165	M10	4.0	24	50	8	27.0	329.5
100	250	180	14	5.0	215	M12x21	7.5	28	60	8	31.0	384.0
112	250	180	14	5.0	215	M12x21	7.5	28	60	8	31.0	384.0
132	300	230	12	6.0	265	M12x20	3.0	38	80	10	41.0	401.5

- ① ISO 4014 ② DIN 5480 ③ DIN 332-D ④ DIN 332 ⑤ Feather key/keyway DIN 6885
- ⑦ ISO 4762 ⑧ Without locating shoulder +1 mm ⑨ Use bores only for housing flange design

K.69 gearbox in a foot-mounted design

K030K4, KA030K4, KAS030K4, KAT030K4



Adapter	a5	b5	c5	f5	e5	s5	z12	d5/D	E	F	GA	k
63	140	95	12	4.5	115.0	M8	2.5	11	23	4	12.5	321.0
71	160	110	12	4.5	130.0	M8	2.5	14	30	5	16.0	321.0
80	200	130	15	4.5	165.0	M10	4.0	19	40	6	12.5	349.0
90	200	130	15	4.5	165.0	M10	4.0	24	50	8	27.0	349.0
100	250	180	14	5	215.0	M12x21	7.5	28	60	8	31.0	403.5
112	250	180	14	5	215.0	M12x21	7.5	28	60	8	31.0	403.5
132	300	230	12	6	265.0	M12x20	3.0	38	80	10	41.0	421.0

① ISO 4014 ② DIN 5480 ③ DIN 332-D ④ DIN 332 ⑤ Feather key/keyway DIN 6885 ⑦ ISO 4762 ⑧ Without locating shoulder +1 mm

SIMOGEAR Gearboxes

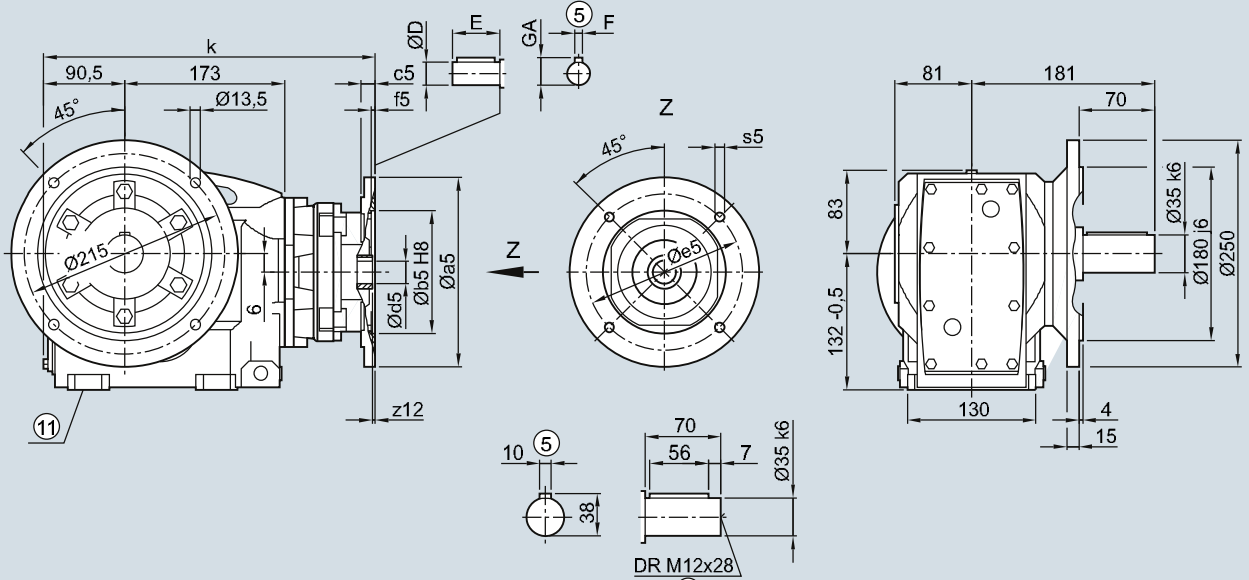
Bevel gearbox with adapter K4

Dimensions

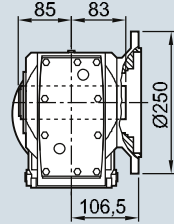
K.F.69 gearbox in a flange-mounted design

KF030K4, KAF030K4, KAFS030K4, KAFT030K4

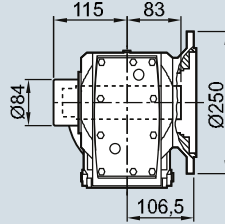
KF69



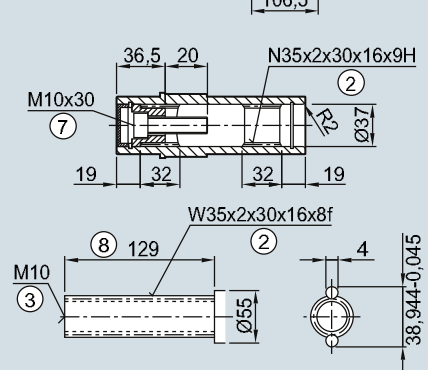
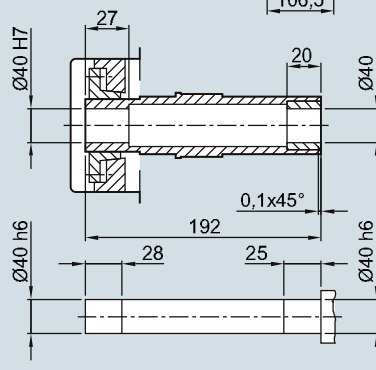
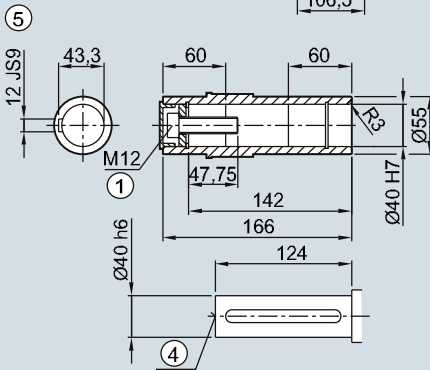
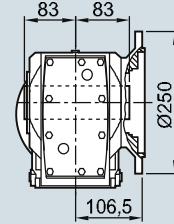
KAF69



KAFS69



KAFT69



Adapter	a5	b5	c5	f5	e5	s5	z12	d5/D	E	F	GA	k
63	140	95	12	4,5	115	M8	2,5	11	23	4	12,5	331,5
71	160	110	12	4,5	130	M8	2,5	14	30	5	16,0	331,5
80	200	130	15	4,5	165	M10	4,0	19	40	6	12,5	359,5
90	200	130	15	4,5	165	M10	4,0	24	50	8	27,0	359,5
100	250	180	14	5,0	215	M12x21	7,5	28	60	8	31,0	414,0
112	250	180	14	5,0	215	M12x21	7,5	28	60	8	31,0	414,0
132	300	230	12	6,0	265	M12x20	3,0	38	80	10	41,0	431,5

① ISO 4014

② DIN 5480

③ DIN 332-D

④ DIN 332

⑤ Feather key/keyway DIN 6885

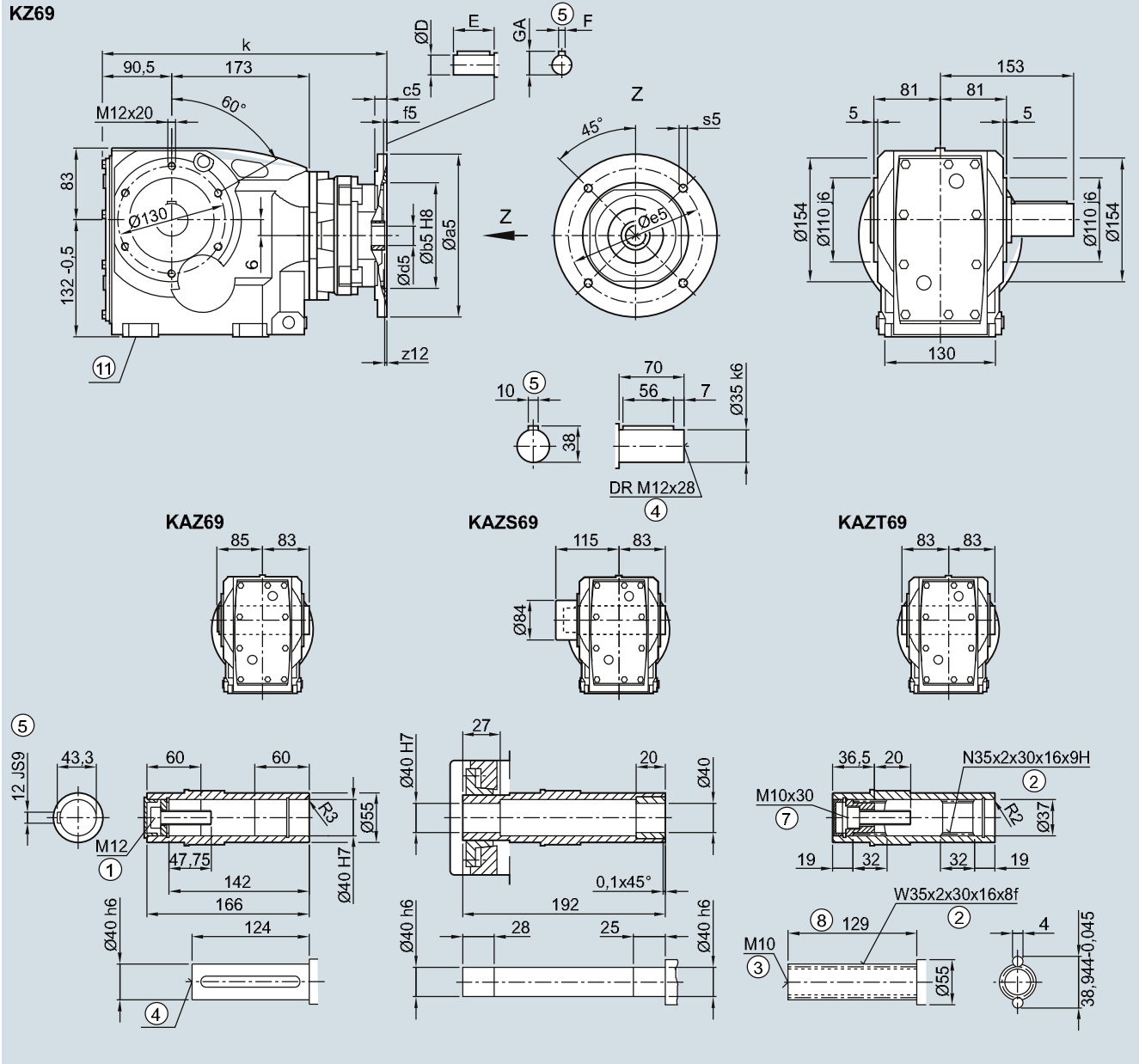
⑦ ISO 4762

⑧ Without locating shoulder +1 mm

⑩ Use bores only for foot-mounted design

K.Z.69 gearbox in a housing flange design

KZ030K4, KAZ030K4, KAZS030K4, KAZT030K4



Adapter	a5	b5	c5	f5	e5	s5	z12	d5/D	E	F	GA	k
63	140	95	12	4.5	115	M8	2.5	11	23	4	12.5	331.5
71	160	110	12	4.5	130	M8	2.5	14	30	5	16.0	331.5
80	200	130	15	4.5	165	M10	4.0	19	40	6	12.5	359.5
90	200	130	15	4.5	165	M10	4.0	24	50	8	27.0	359.5
100	250	180	14	5.0	215	M12x21	7.5	28	60	8	31.0	414.0
112	250	180	14	5.0	215	M12x21	7.5	28	60	8	31.0	414.0
132	300	230	12	6.0	265	M12x20	3.0	38	80	10	41.0	431.5

① ISO 4014 ② DIN 5480 ③ DIN 332-D ④ DIN 332 ⑤ Feather key/keyway DIN 6885
 ⑦ ISO 4762 ⑧ Without locating shoulder +1 mm ⑥ Use bores only for foot-mounted design

SIMOGEAR Gearboxes

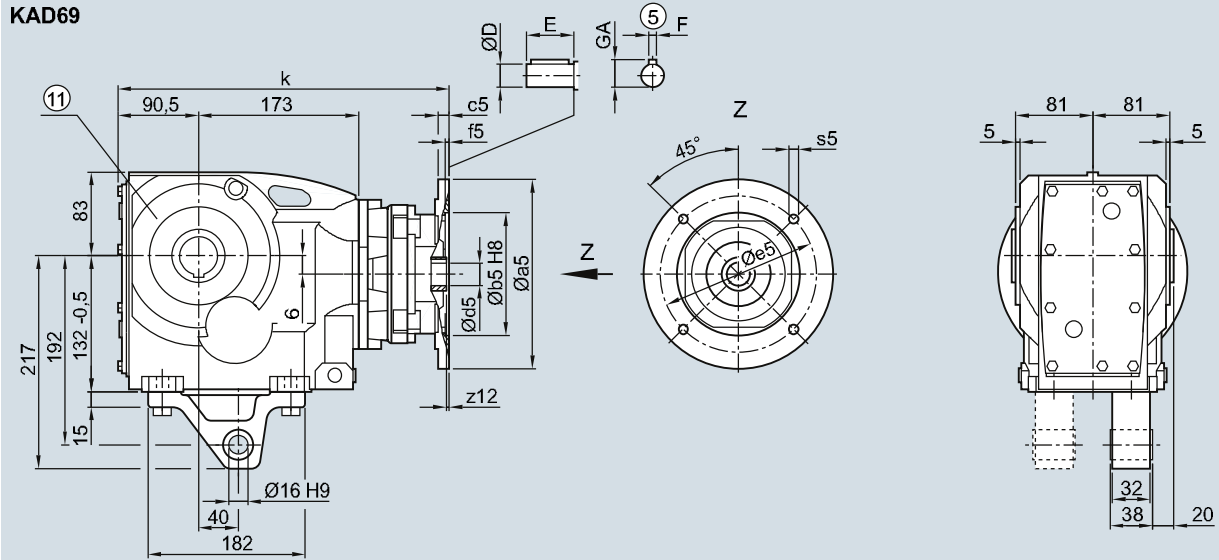
Bevel gearbox with adapter K4

Dimensions

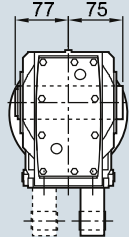
KAD.69 gearbox in a shaft-mounted design

KAD030K4, KADS030K4, KADT030K4

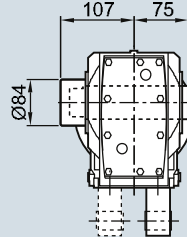
KAD69



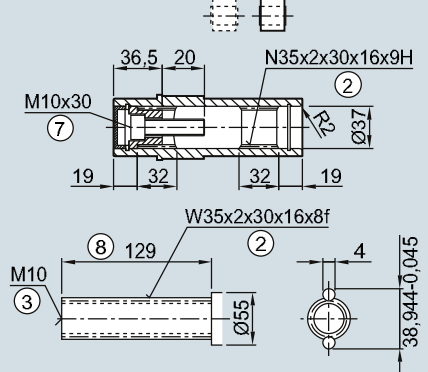
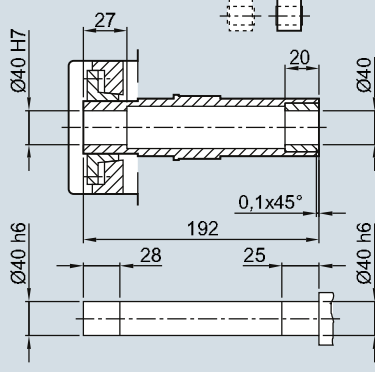
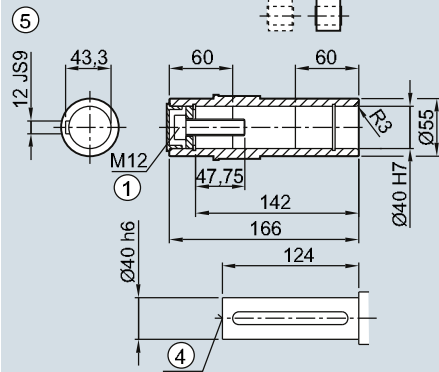
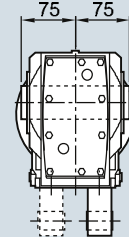
KAD69



KADS69



KADT69



Adapter	a5	b5	c5	f5	e5	s5	z12	d5/D	E	F	GA	k
63	140	95	12	4.5	115	M8	2.5	11	23	4	12.5	331.5
71	160	110	12	4.5	130	M8	2.5	14	30	5	16.0	331.5
80	200	130	15	4.5	165	M10	4.0	19	40	6	12.5	359.5
90	200	130	15	4.5	165	M10	4.0	24	50	8	27.0	359.5
100	250	180	14	5.0	215	M12x21	7.5	28	60	8	31.0	414.0
112	250	180	14	5.0	215	M12x21	7.5	28	60	8	31.0	414.0
132	300	230	12	6.0	265	M12x20	3.0	38	80	10	41.0	431.5

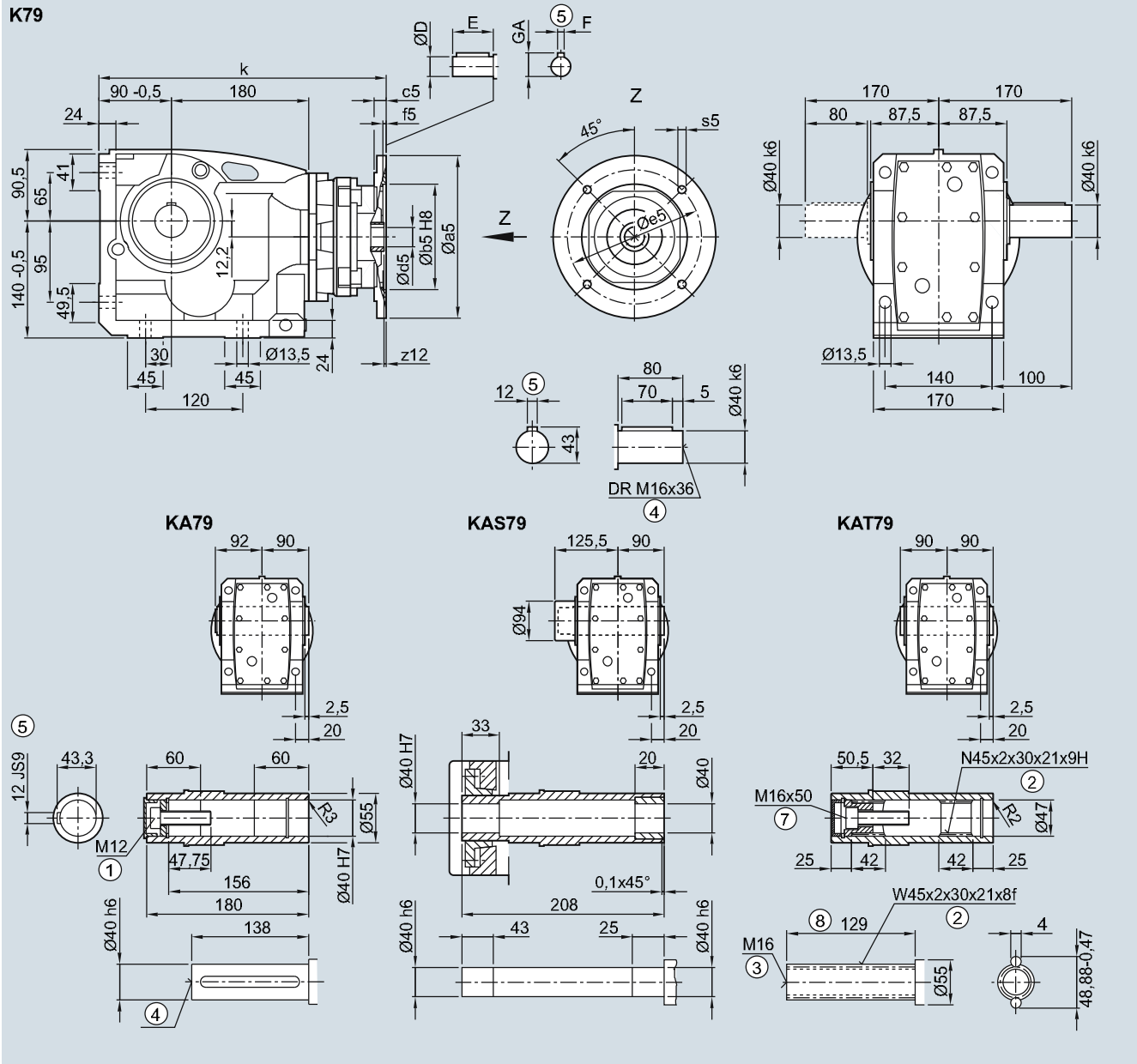
- ① ISO 4014 ② DIN 5480 ③ DIN 332-D ④ DIN 332 ⑤ Feather key/keyway DIN 6885
- ⑦ ISO 4762 ⑧ Without locating shoulder +1 mm ⑨ Use bores only for housing flange design

SIMOGEAR Gearboxes
Bevel gearbox with adapter K4

Dimensions

K.79 gearbox in a foot-mounted design

K030K4, KA030K4, KAS030K4, KAT030K4

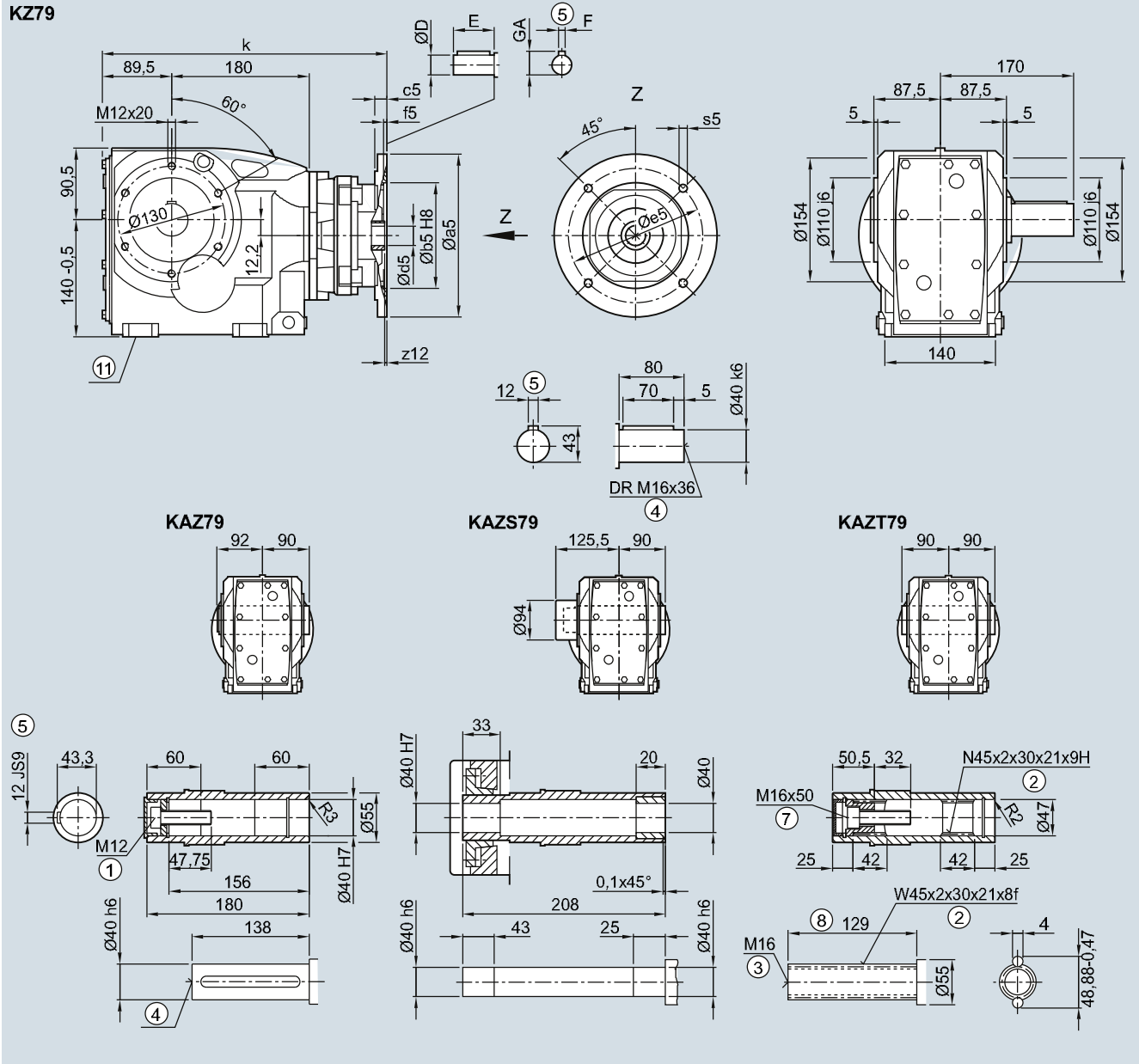


Adapter	a5	b5	c5	f5	e5	s5	z12	d5/D	E	F	GA	k
63	140	95	12	4.5	115.0	M8	2.5	11	23	4	12.5	338.0
71	160	110	12	4.5	130.0	M8	2.5	14	30	5	16.0	338.0
80	200	130	15	4.5	165.0	M10	4.0	19	40	6	12.5	366.0
90	200	130	15	4.5	165.0	M10	4.0	24	50	8	27.0	366.0
100	250	180	14	5	215.0	M12x21	7.5	28	60	8	31.0	420.5
112	250	180	14	5	215.0	M12x21	7.5	28	60	8	31.0	420.5
132	300	230	12	6	265.0	M12x20	3.0	38	80	10	41.0	438.0

① ISO 4014 ② DIN 5480 ③ DIN 332-D ④ DIN 332 ⑤ Feather key/keyway DIN 6885 ⑦ ISO 4762 ⑧ Without locating shoulder +1 mm

K.Z.79 gearbox in a housing flange design

KZ030K4, KAZ030K4, KAZS030K4, KAZT030K4

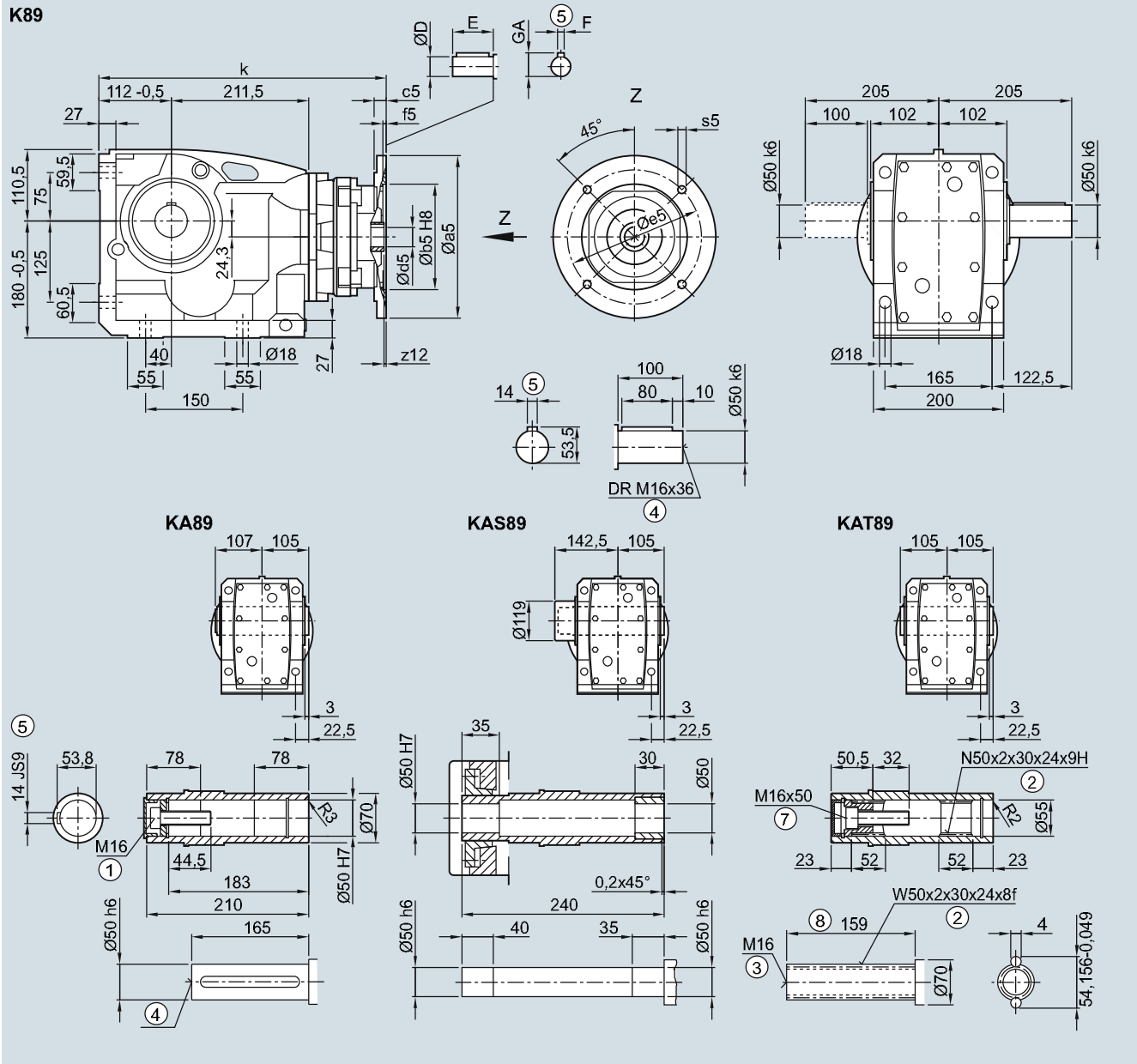


Adapter	a5	b5	c5	f5	e5	s5	z12	d5/D	E	F	GA	k
63	140	95	12	4.5	115	M8	2.5	11	23	4	12.5	337.5
71	160	110	12	4.5	130	M8	2.5	14	30	5	16.0	337.5
80	200	130	15	4.5	165	M10	4.0	19	40	6	12.5	365.5
90	200	130	15	4.5	165	M10	4.0	24	50	8	27.0	365.5
100	250	180	14	5.0	215	M12x21	7.5	28	60	8	31.0	420.0
112	250	180	14	5.0	215	M12x21	7.5	28	60	8	31.0	420.0
132	300	230	12	6.0	265	M12x20	3.0	38	80	10	41.0	437.5

① ISO 4014 ② DIN 5480 ③ DIN 332-D ④ DIN 332 ⑤ Feather key/keyway DIN 6885
 ⑦ ISO 4762 ⑧ Without locating shoulder +1 mm ⑥ Use bores only for foot-mounted design

K.89 gearbox in a foot-mounted design

K030K4, KA030K4, KAS030K4, KAT030K4



Adapter	a5	b5	c5	f5	e5	s5	z12	d5/D	E	F	GA	k
71	160	110	12	4.5	130.0	M8	2.5	14	30	5	16.0	389.5
80	200	130	15	4.5	165.0	M10	4.0	19	40	6	12.5	413.5
90	200	130	15	4.5	165.0	M10	4.0	24	50	8	27.0	413.5
100	250	180	14	5.0	215.0	M12x21	7.5	28	60	8	31.0	468.0
112	250	180	14	5.0	215.0	M12x21	7.5	28	60	8	31.0	468.0
132	300	230	12	6.0	265.0	M12x20	3.0	38	80	10	41.0	485.5
160	350	250	15	6.0	300.0	M16x25	3.0	42	110	12	45.0	515.5

① ISO 4014 ② DIN 5480 ③ DIN 332-D ④ DIN 332 ⑤ Feather key/keyway DIN 6885 ⑦ ISO 4762 ⑧ Without locating shoulder +1 mm

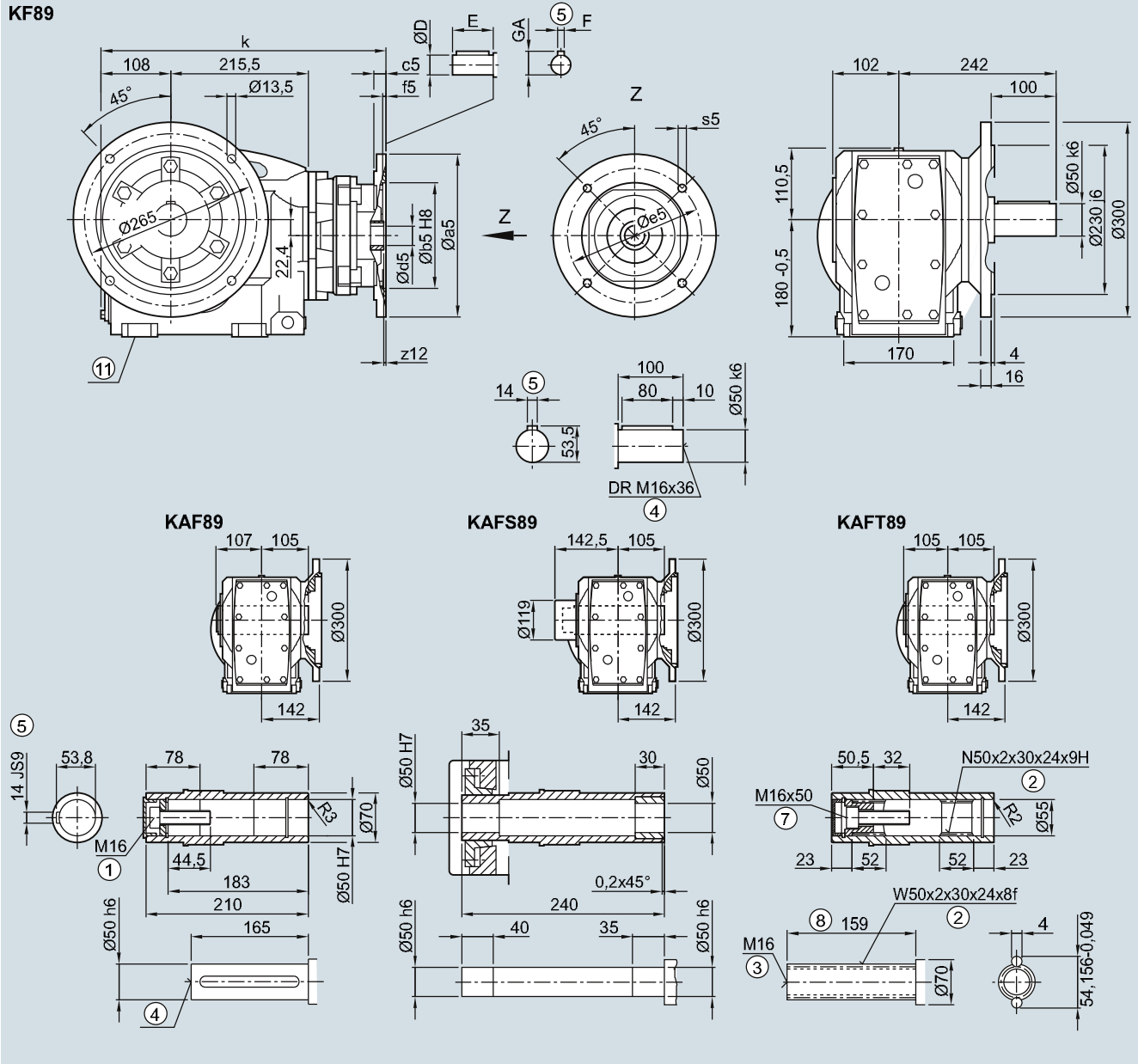
SIMOGEAR Gearboxes

Bevel gearbox with adapter K4

Dimensions

K.F.89 gearbox in a flange-mounted design

KF030K4, KAF030K4, KAFS030K4, KAFT030K4

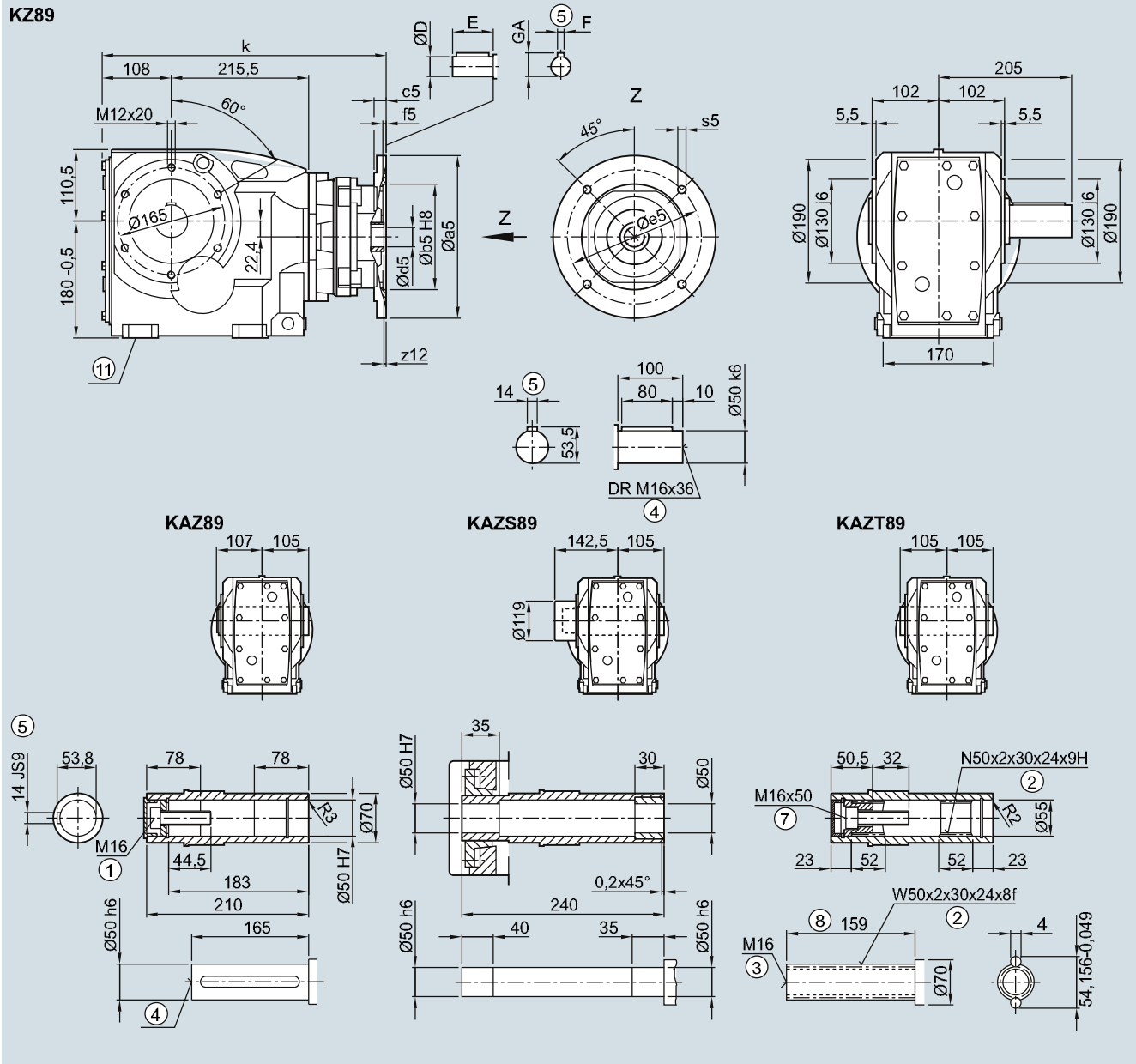


Adapter	a5	b5	c5	f5	e5	s5	z12	d5/D	E	F	GA	k
71	160	110	12	4.5	130	M8	2.5	14	30	5	16.0	389.5
80	200	130	15	4.5	165	M10	4.0	19	40	6	12.5	413.5
90	200	130	15	4.5	165	M10	4.0	24	50	8	27.0	413.5
100	250	180	14	5.0	215	M12x21	7.5	28	60	8	31.0	468.0
112	250	180	14	5.0	215	M12x21	7.5	28	60	8	31.0	468.0
132	300	230	12	6.0	265	M12x20	3.0	38	80	10	41.0	485.5
160	350	250	15	6.0	300	M16x25	3.0	42	110	12	45.0	515.5

① ISO 4014 ② DIN 5480 ③ DIN 332-D ④ DIN 332 ⑤ Feather key/keyway DIN 6885
 ⑦ ISO 4762 ⑧ Without locating shoulder +1 mm ⑨ Use bores only for foot-mounted design

K.Z.89 gearbox in a housing flange design

KZ030K4, KAZ030K4, KAZS030K4, KAZT030K4



Adapter	a5	b5	c5	f5	e5	s5	z12	d5/D	E	F	GA	k
71	160	110	12	4.5	130	M8	2.5	14	30	5	16.0	389.5
80	200	130	15	4.5	165	M10	4.0	19	40	6	12.5	413.5
90	200	130	15	4.5	165	M10	4.0	24	50	8	27.0	413.5
100	250	180	14	5.0	215	M12x21	7.5	28	60	8	31.0	468.0
112	250	180	14	5.0	215	M12x21	7.5	28	60	8	31.0	468.0
132	300	230	12	6.0	265	M12x20	3.0	38	80	10	41.0	485.5
160	350	250	15	6.0	300	M16x25	3.0	42	110	12	45.0	515.5

① ISO 4014 ② DIN 5480 ③ DIN 332-D ④ DIN 332 ⑤ Feather key/keyway DIN 6885
 ⑦ ISO 4762 ⑧ Without locating shoulder +1 mm ⑥ Use bores only for foot-mounted design

SIMOGEAR Gearboxes

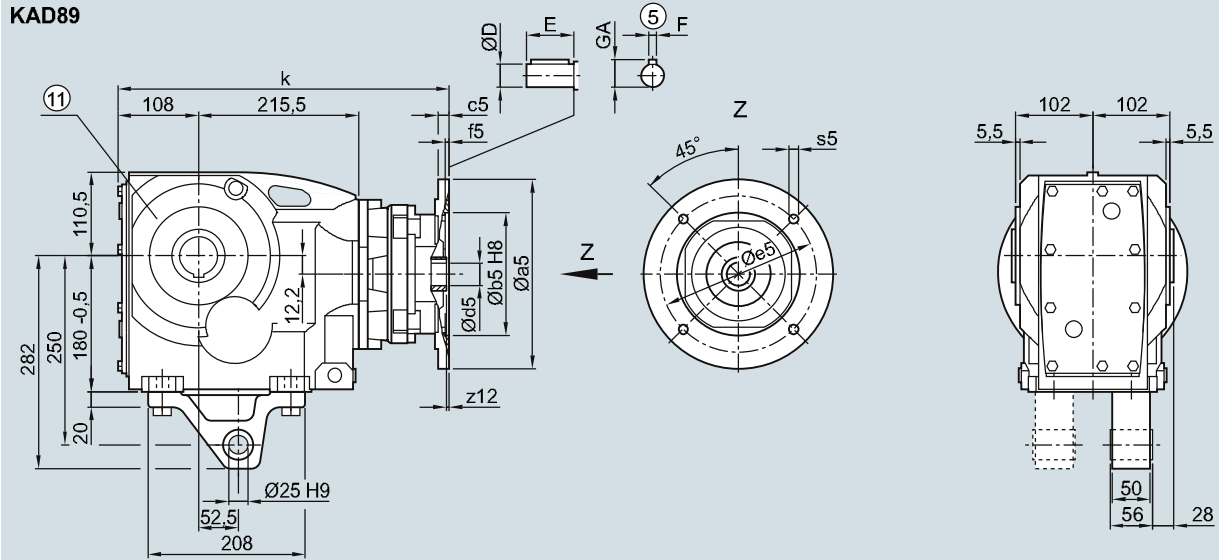
Bevel gearbox with adapter K4

Dimensions

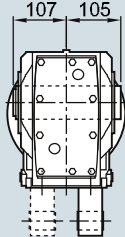
KAD.89 gearbox in a shaft-mounted design

KAD030K4, KADS030K4, KADT030K4

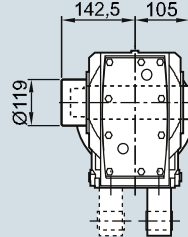
KAD89



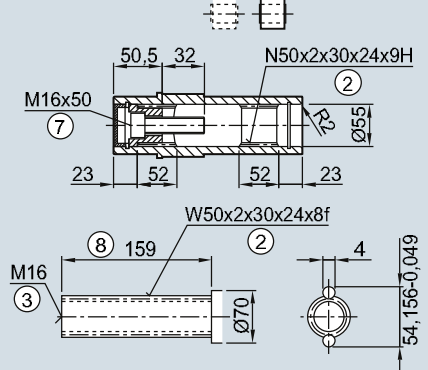
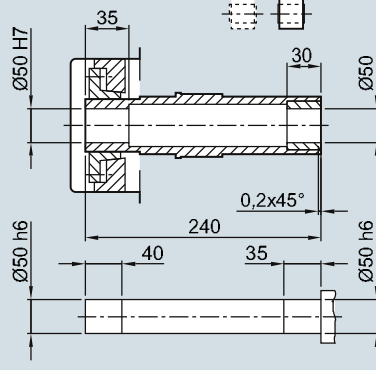
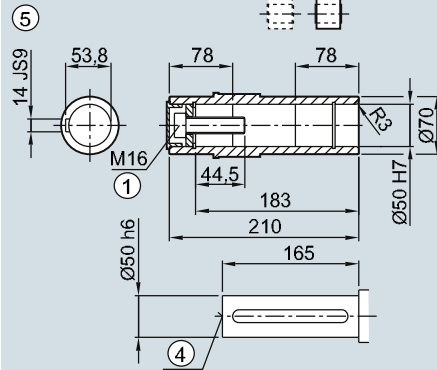
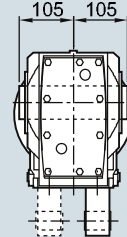
KAD89



KADS89



KADT89



Adapter	a5	b5	c5	f5	e5	s5	z12	d5/D	E	F	GA	k
71	160	110	12	4.5	130	M8	2.5	14	30	5	16.0	389.5
80	200	130	15	4.5	165	M10	4.0	19	40	6	12.5	413.5
90	200	130	15	4.5	165	M10	4.0	24	50	8	27.0	413.5
100	250	180	14	5.0	215	M12x21	7.5	28	60	8	31.0	468.0
112	250	180	14	5.0	215	M12x21	7.5	28	60	8	31.0	468.0
132	300	230	12	6.0	265	M12x20	3.0	38	80	10	41.0	485.5
160	350	250	15	6.0	300	M16x25	3.0	42	110	12	45.0	515.5

① ISO 4014

② DIN 5480

③ DIN 332-D

④ DIN 332

⑤ Feather key/keyway DIN 6885

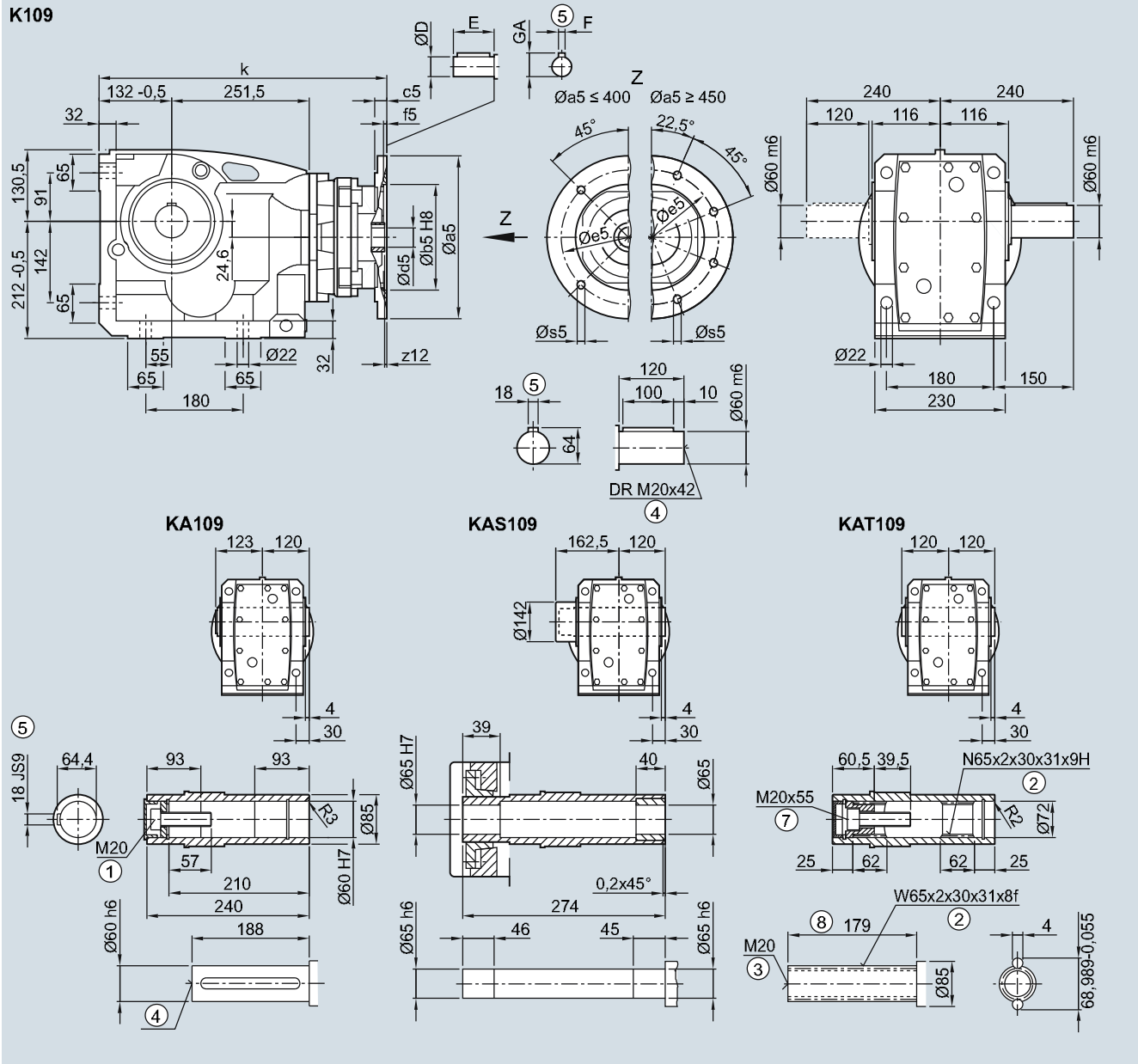
⑦ ISO 4762

⑧ Without locating shoulder +1 mm

⑩ Use bores only for housing flange design

K.109 gearbox in a foot-mounted design

K030K4, KA030K4, KAS030K4, KAT030K4



Adapter	a5	b5	c5	f5	e5	s5	z12	d5/D	E	F	GA	k
80	200	130	15	4.5	165	M10	4.0	19	40	6	12.5	460.5
90	200	130	15	4.5	165	M10	4.0	24	50	8	27.0	460.5
100	250	180	14	5.0	215	M12x21	7.5	28	60	8	31.0	511.0
112	250	180	14	5.0	215	M12x21	7.5	28	60	8	31.0	511.0
132	300	230	12	6.0	265	M12x20	3.0	38	80	10	41.0	528.5
160	350	250	15	6.0	300	M16x25	3.0	42	110	12	45.0	558.5
180	350	250	15	6.0	300	M16x25	3.0	48	110	14	51.5	558.5

① ISO 4014 ② DIN 5480 ③ DIN 332-D ④ DIN 332 ⑤ Feather key/keyway DIN 6885 ⑦ ISO 4762 ⑧ Without locating shoulder +1 mm

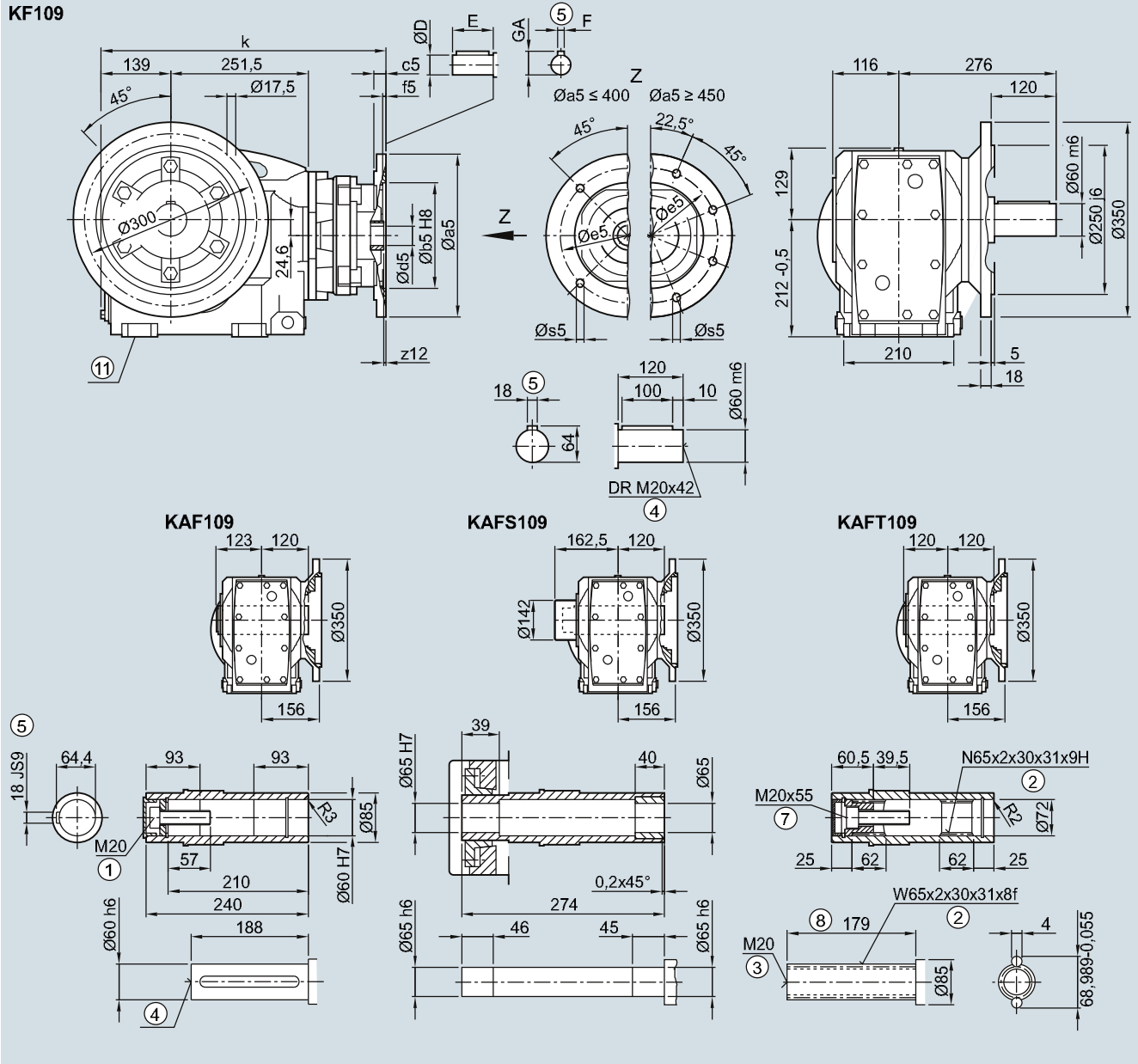
SIMOGEAR Gearboxes

Bevel gearbox with adapter K4

Dimensions

K.F.109 gearbox in a flange-mounted design

KF030K4, KAF030K4, KAFS030K4, KAFT030K4

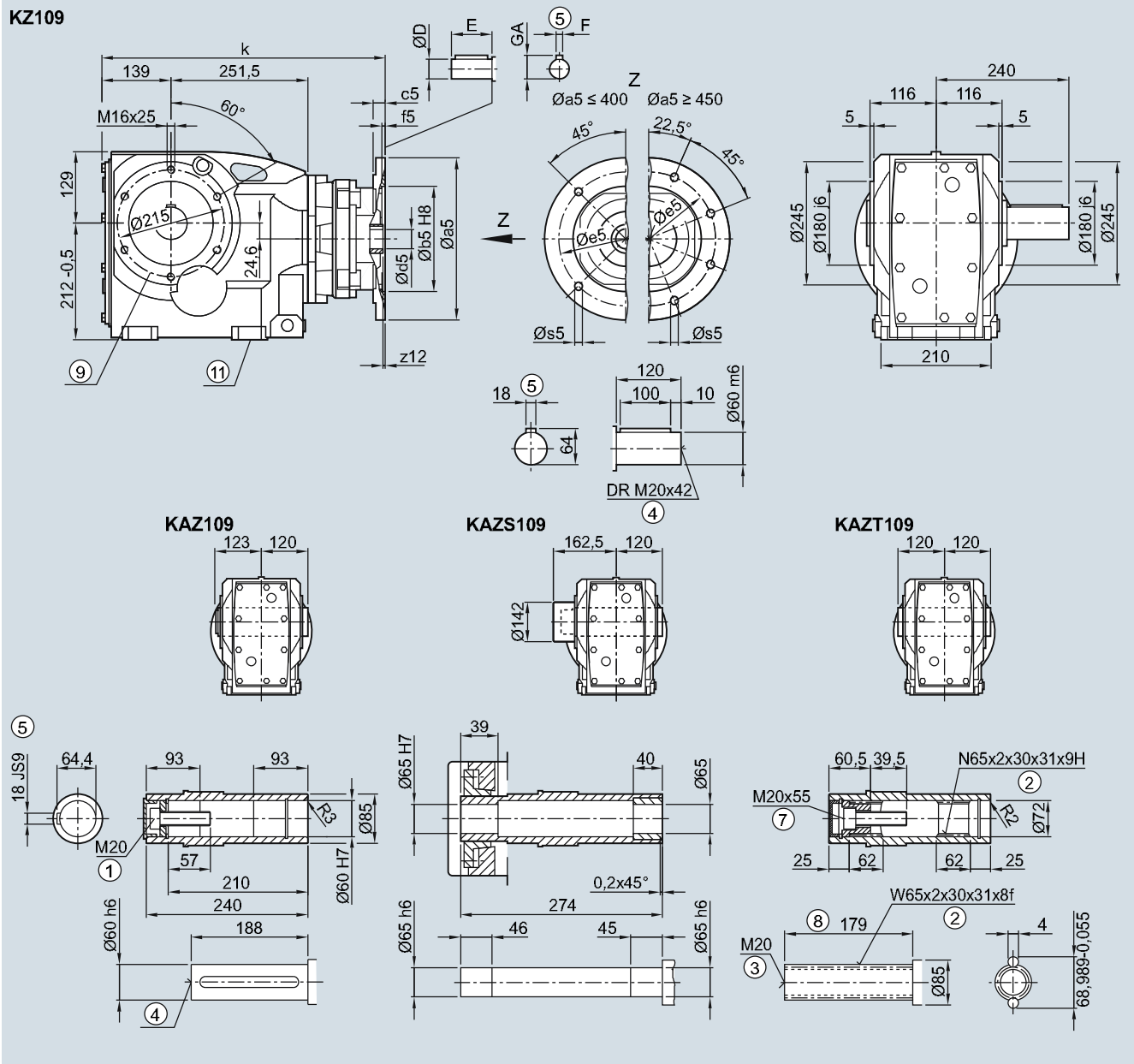


Adapter	a5	b5	c5	f5	e5	s5	z12	d5/D	E	F	GA	k
80	200	130	15	4.5	165	M10	4.0	19	40	6	12.5	467.5
90	200	130	15	4.5	165	M10	4.0	24	50	8	27.0	467.5
100	250	180	14	5.0	215	M12x21	7.5	28	60	8	31.0	518.0
112	250	180	14	5.0	215	M12x21	7.5	28	60	8	31.0	518.0
132	300	230	12	6.0	265	M12x20	3.0	38	80	10	41.0	535.5
160	350	250	15	6.0	300	M16x25	3.0	42	110	12	45.0	565.5
180	350	250	15	6.0	300	M16x25	3.0	48	110	14	51.5	565.5

① ISO 4014 ② DIN 5480 ③ DIN 332-D ④ DIN 332 ⑤ Feather key/keyway DIN 6885
 ⑦ ISO 4762 ⑧ Without locating shoulder +1 mm ⑩ Use bores only for foot-mounted design

K.Z.109 gearbox in a housing flange design

KZ030K4, KAZ030K4, KAZS030K4, KAZT030K4



Adapter	a5	b5	c5	f5	e5	s5	z12	d5/D	E	F	GA	k
80	200	130	15	4.5	165	M10	4.0	19	40	6	12.5	467.5
90	200	130	15	4.5	165	M10	4.0	24	50	8	27.0	467.5
100	250	180	14	5.0	215	M12x21	7.5	28	60	8	31.0	518.0
112	250	180	14	5.0	215	M12x21	7.5	28	60	8	31.0	518.0
132	300	230	12	6.0	265	M12x20	3.0	38	80	10	41.0	535.5
160	350	250	15	6.0	300	M16x25	3.0	42	110	12	45.0	565.5
180	350	250	15	6.0	300	M16x25	3.0	48	110	14	51.5	565.5

① ISO 4014 ② DIN 5480 ③ DIN 332-D ④ DIN 332 ⑤ Feather key/keyway DIN 6885
 ⑦ ISO 4762 ⑧ Without locating shoulder +1 mm ⑨ For pin holes, see 4/131 ⑩ Use bores only for foot-mounted design

SIMOGEAR Gearboxes

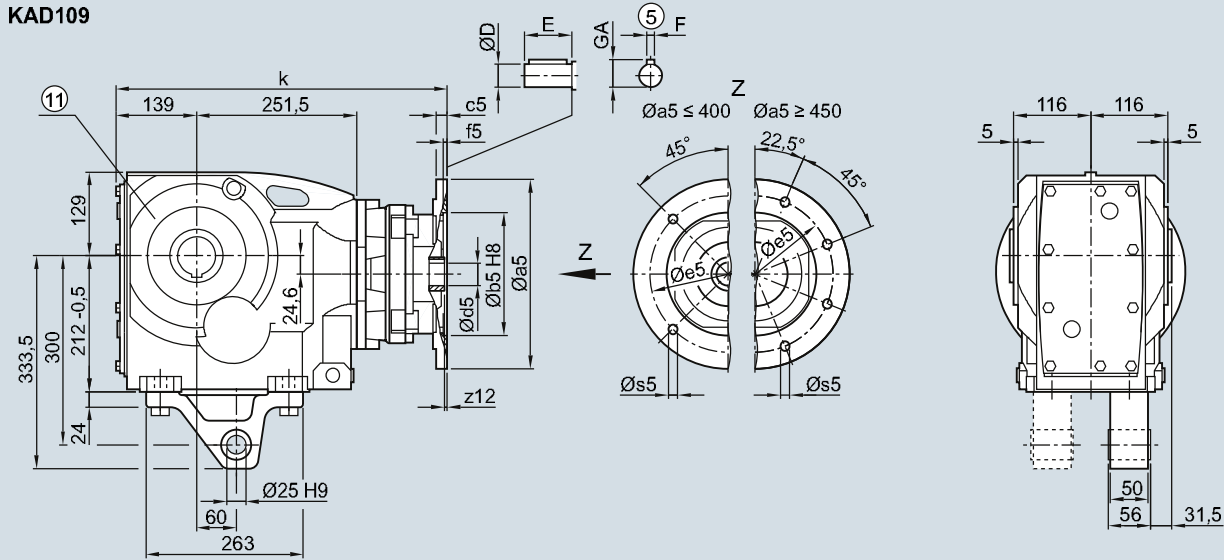
Bevel gearbox with adapter K4

Dimensions

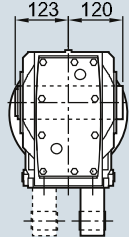
KAD.109 gearbox in a shaft-mounted design

KAD030K4, KADS030K4, KADT030K4

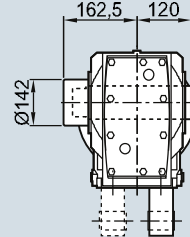
KAD109



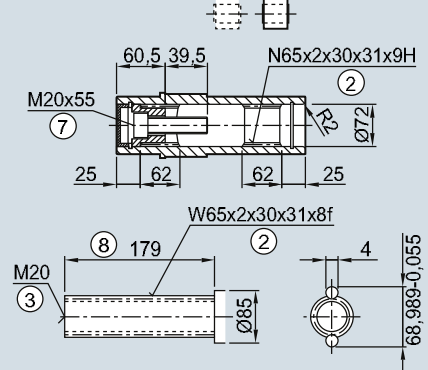
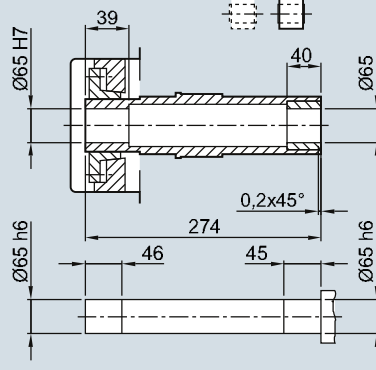
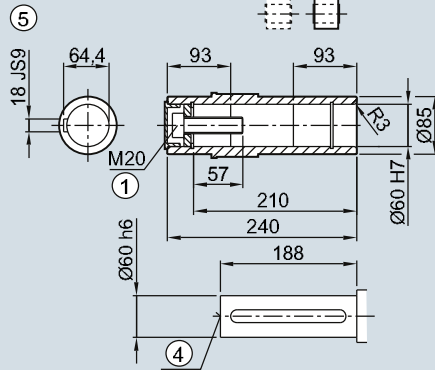
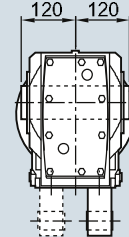
KAD109



KADS109



KADT109

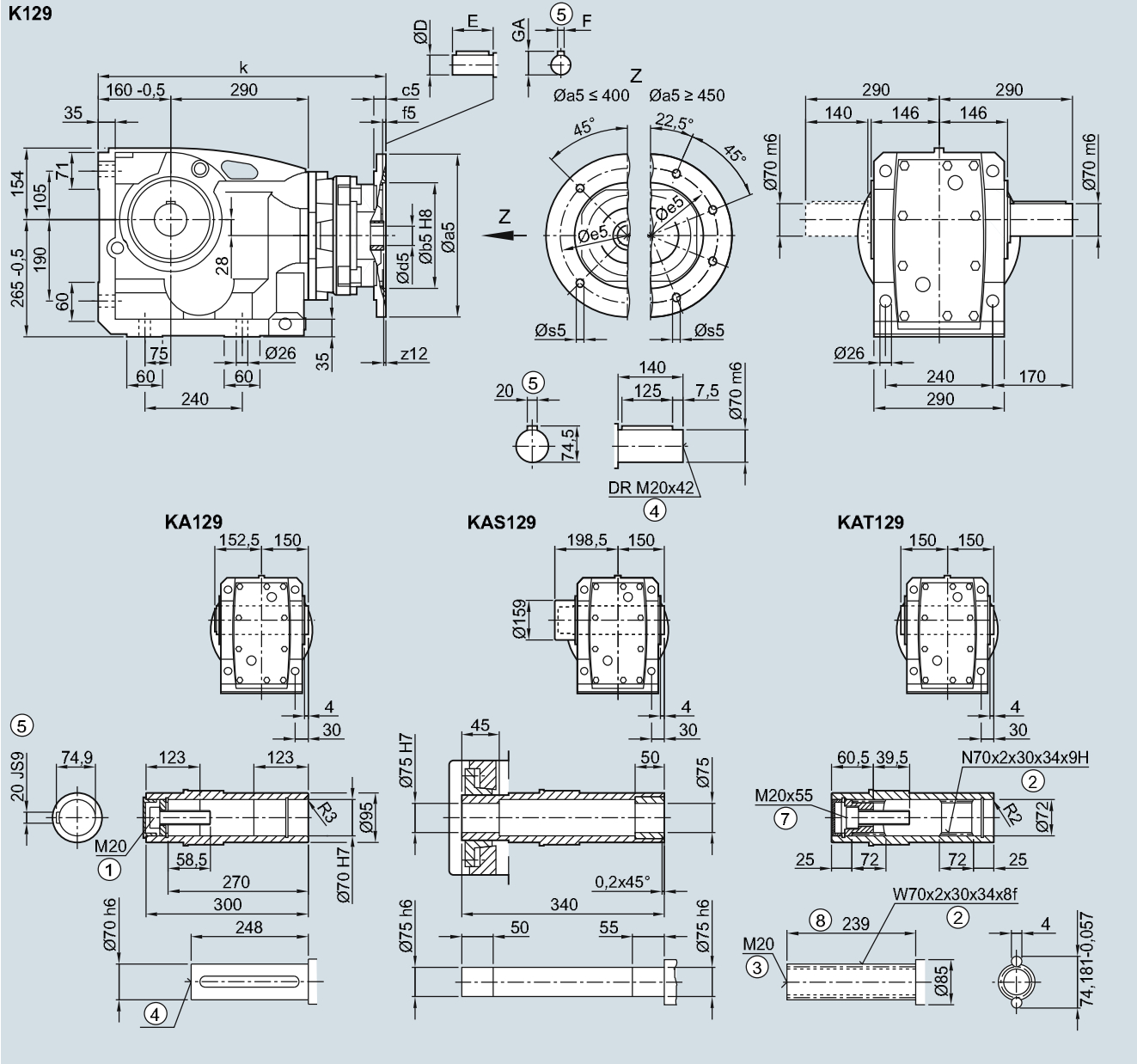


Adapter	a5	b5	c5	f5	e5	s5	z12	d5/D	E	F	GA	k
80	200	130	15	4.5	165	M10	4.0	19	40	6	12.5	467.5
90	200	130	15	4.5	165	M10	4.0	24	50	8	27.0	467.5
100	250	180	14	5.0	215	M12x21	7.5	28	60	8	31.0	518.0
112	250	180	14	5.0	215	M12x21	7.5	28	60	8	31.0	518.0
132	300	230	12	6.0	265	M12x20	3.0	38	80	10	41.0	535.5
160	350	250	15	6.0	300	M16x25	3.0	42	110	12	45.0	565.5
180	350	250	15	6.0	300	M16x25	3.0	48	110	14	51.5	565.5

- ① ISO 4014 ② DIN 5480 ③ DIN 332-D ④ DIN 332 ⑤ Feather key/keyway DIN 6885
- ⑦ ISO 4762 ⑧ Without locating shoulder +1 mm ⑨ Use bores only for housing flange design

K.129 gearbox in a foot-mounted design

K030K4, KA030K4, KAS030K4, KAT030K4

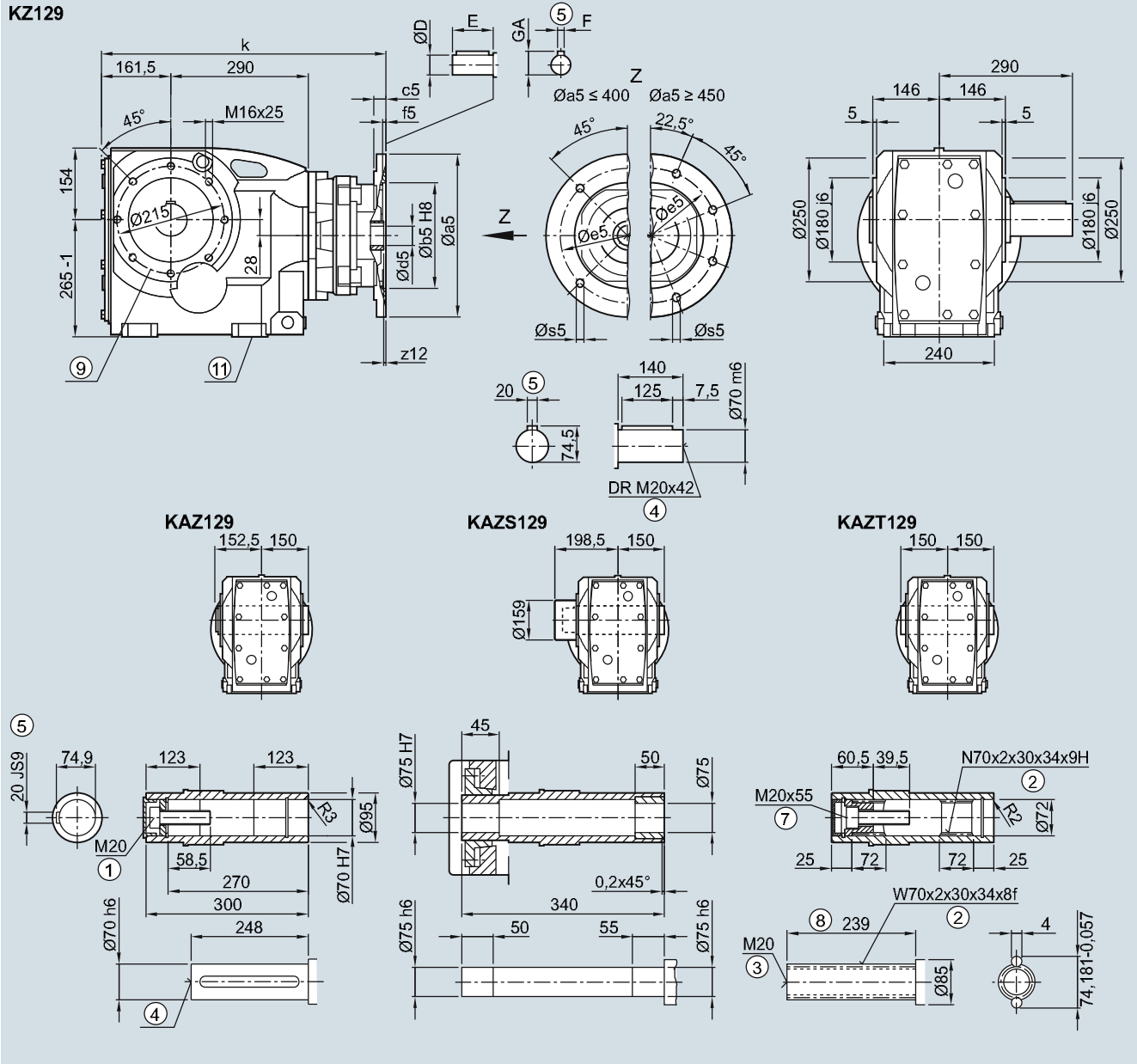


Adapter	a5	b5	c5	f5	e5	s5	z12	d5/D	E	F	GA	k
90	200	130	15	4.5	165	M10	4.0	24	50	8	27.0	520.0
100	250	180	14	5.0	215	M12x21	7.5	28	60	8	31.0	568.5
112	250	180	14	5.0	215	M12x21	7.5	28	60	8	31.0	568.5
132	300	230	12	6.0	265	M12x20	3.0	38	80	10	41.0	586.0
160	350	250	15	6.0	300	M16x25	3.0	42	110	12	45.0	616.0
180	350	250	15	6.0	300	M16x25	3.0	48	110	14	51.5	616.0
200	400	300	20	6.0	350	M16x29	7.0	55	110	16	59.0	656.5
225	450	350	20	6.0	400	M16x29	7.0	60	140	18	64.0	663.0

① ISO 4014 ② DIN 5480 ③ DIN 332-D ④ DIN 332 ⑤ Feather key/keyway DIN 6885 ⑦ ISO 4762 ⑧ Without locating shoulder +1 mm

K.Z.129 in a housing flange design

KZ030K4, KAZ030K4, KAZS030K4, KAZT030K4

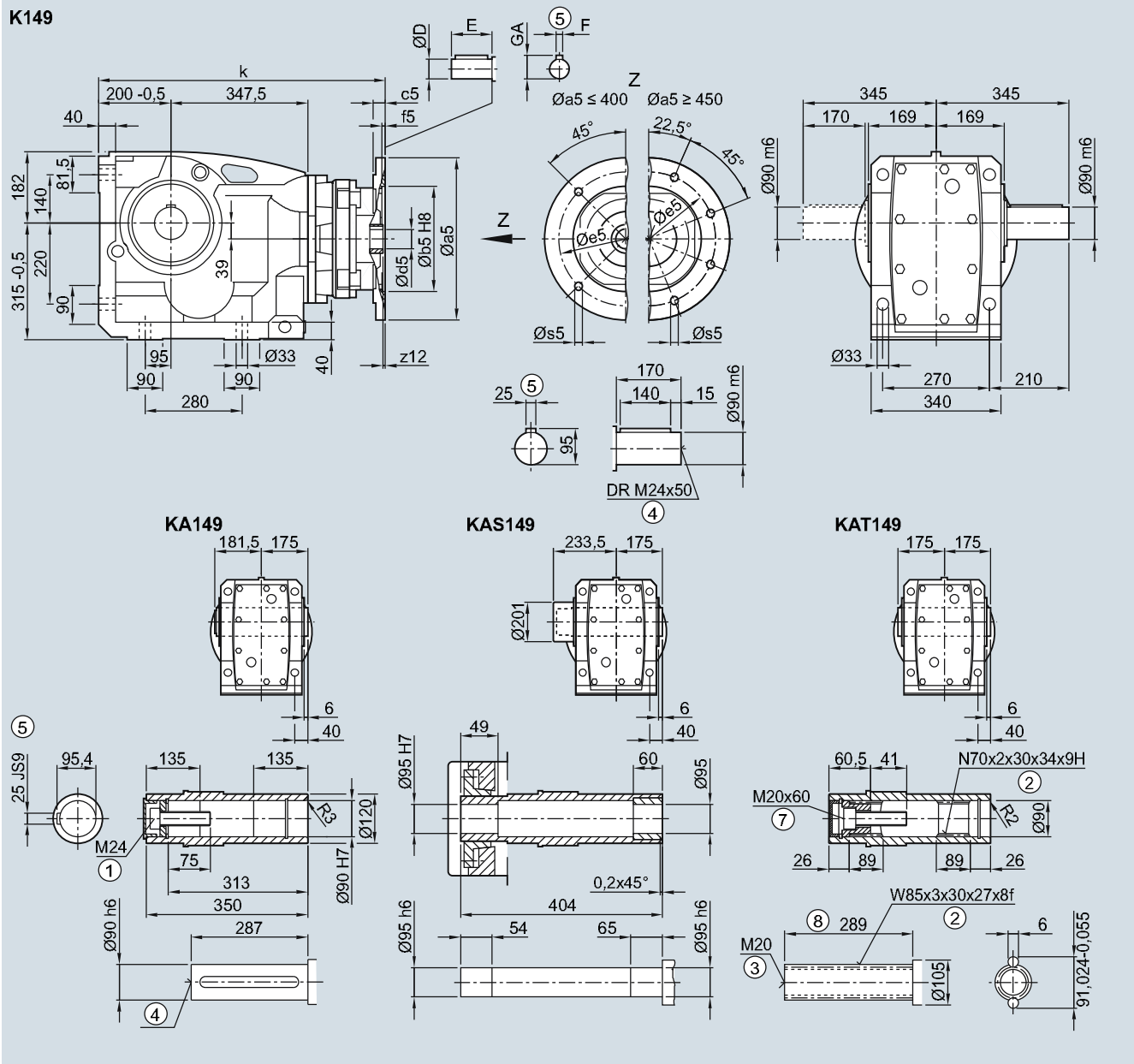


Adapter	a5	b5	c5	f5	e5	s5	z12	d5/D	E	F	GA	k
90	200	130	15	4.5	165	M10	4.0	Ø24	50	8	27.0	521.5
100	250	180	14	5.0	215	M12x21	7.5	Ø28	60	8	31.0	570.0
112	250	180	14	5.0	215	M12x21	7.5	Ø28	60	8	31.0	570.0
132	300	230	12	6.0	265	M12x20	3.0	Ø38	80	10	41.0	587.5
160	350	250	15	6.0	300	M16x25	3.0	Ø42	110	12	45.0	617.5
180	350	250	15	6.0	300	M16x25	3.0	Ø48	110	14	51.5	617.5
200	400	300	20	6.0	350	M16x29	7.0	Ø55	110	16	59.0	658.0
225	450	350	20	6.0	400	M16x29	7.0	Ø60	140	18	64.0	664.5

① ISO 4014 ② DIN 5480 ③ DIN 332-D ④ DIN 332 ⑤ Feather key/keyway DIN 6885
 ⑦ ISO 4762 ⑧ Without locating shoulder +1 mm ⑨ For pin holes, see 4/131 ⑩ Use bores only for foot-mounted design

K.149 gearbox in a foot-mounted design

K030K4, KA030K4, KAS030K4, KAT030K4



Adapter	a5	b5	c5	f5	e5	s5	z12	d5/D	E	F	GA	k
90	200	130	15	4.5	165	M10	4.0	24	50	8	27.0	610.5
100	250	180	14	5.0	215	M12x21	7.5	28	60	8	31.0	657.0
112	250	180	14	5.0	215	M12x21	7.5	28	60	8	31.0	657.0
132	300	230	12	6.0	265	M12x20	3.0	38	80	10	41.0	672.5
160	350	250	15	6.0	300	M16x25	3.0	42	110	12	45.0	702.5
180	350	250	15	6.0	300	M16x25	3.0	48	110	14	51.5	702.5
200	400	300	20	6.0	350	M16x29	7.0	55	110	16	59.0	743.0
225	450	350	20	6.0	400	M16x29	7.0	60	140	18	64.0	755.5
250	550	450	20	6.0	500	M16x29	10.0	65	140	18	69.0	784.0

① ISO 4014 ② DIN 5480 ③ DIN 332-D ④ DIN 332 ⑤ Feather key/keyway DIN 6885 ⑦ ISO 4762 ⑧ Without locating shoulder +1 mm

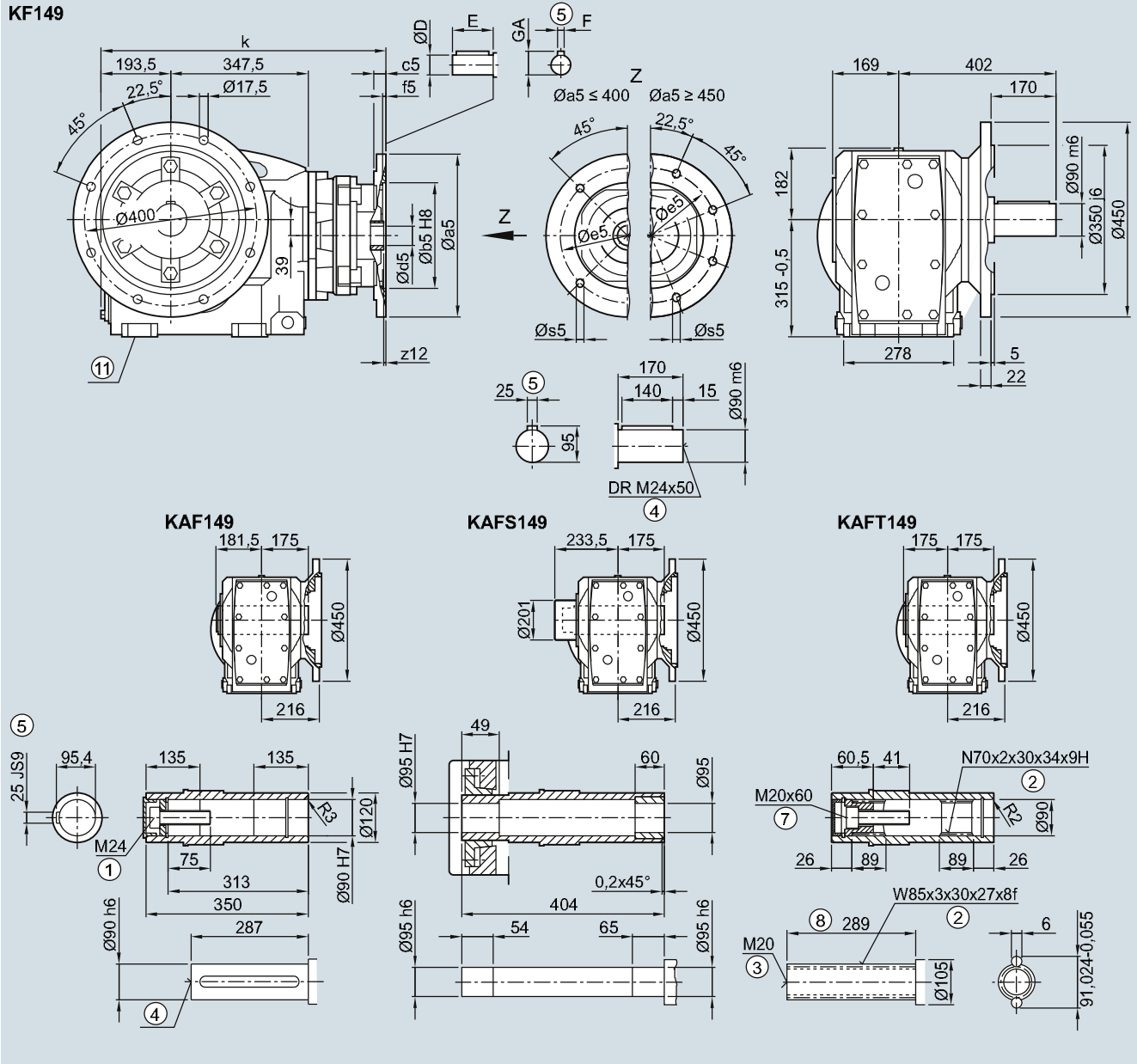
SIMOGEAR Gearboxes

Bevel gearbox with adapter K4

Dimensions

K.F.149 gearbox in a flange-mounted design

KF030K4, KAF030K4, KAFS030K4, KAFT030K4

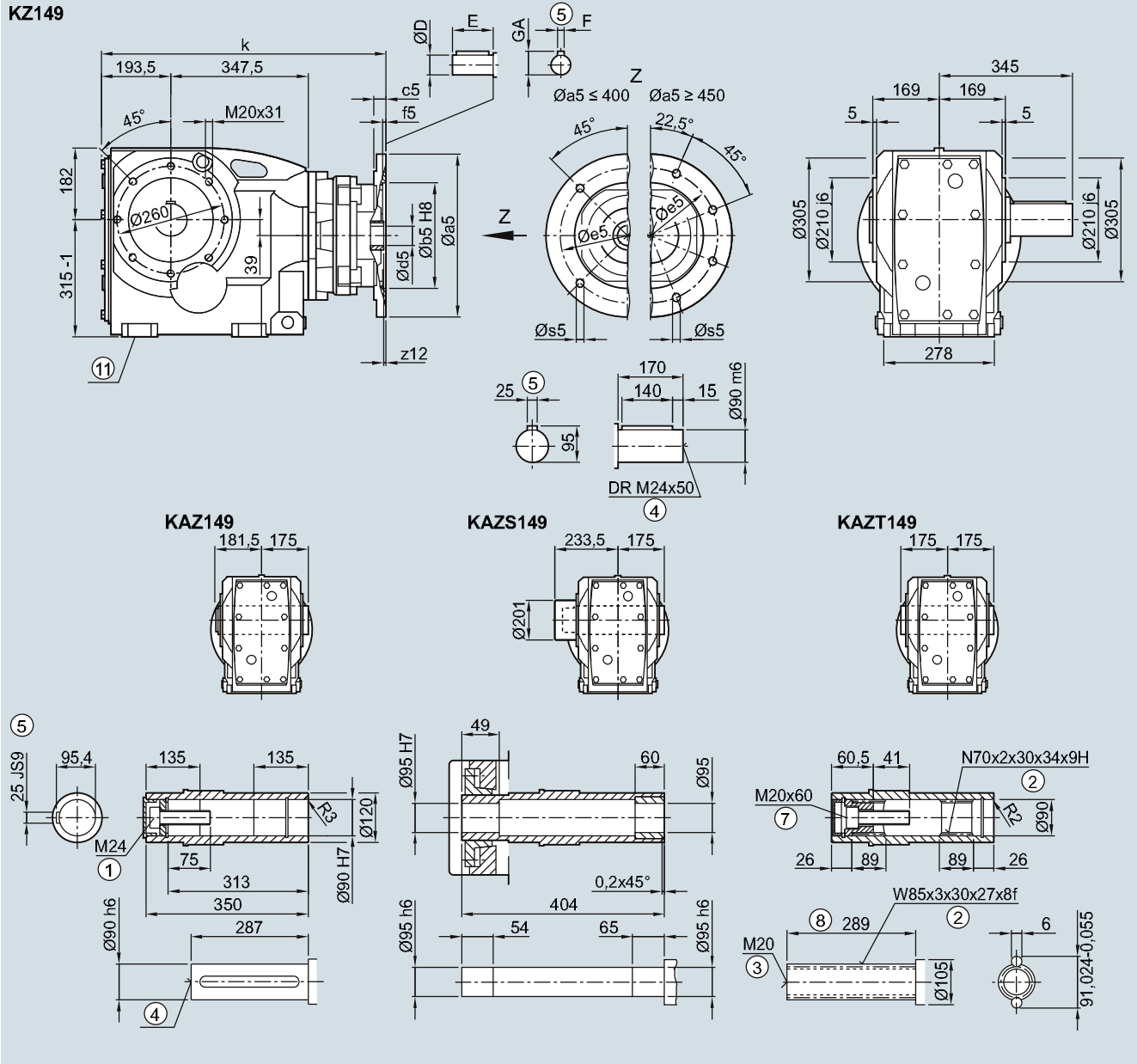


Adapter	a5	b5	c5	f5	e5	s5	z12	d5/D	E	F	GA	k
90	200	130	15	4.5	165	M10	4.0	24	50	8	27.0	604.0
100	250	180	14	5.0	215	M12x21	7.5	28	60	8	31.0	650.5
112	250	180	14	5.0	215	M12x21	7.5	28	60	8	31.0	650.5
132	300	230	12	6.0	265	M12x20	3.0	38	80	10	41.0	666.0
160	350	250	15	6.0	300	M16x25	3.0	42	110	12	45.0	696.0
180	350	250	15	6.0	300	M16x25	3.0	48	110	14	51.5	696.0
200	400	300	20	6.0	350	M16x29	7.0	55	110	16	59.0	736.5
225	450	350	20	6.0	400	M16x29	7.0	60	140	18	64.0	749.0
250	550	450	20	6.0	500	M16x29	10.0	65	140	18	69.0	777.5

- ① ISO 4014 ② DIN 5480 ③ DIN 332-D ④ DIN 332 ⑤ Feather key/keyway DIN 6885
- ⑦ ISO 4762 ⑧ Without locating shoulder +1 mm ⑨ Use bores only for foot-mounted design

K.Z.149 in a housing flange design

KZ030K4, KAZ030K4, KAZS030K4, KAZT030K4

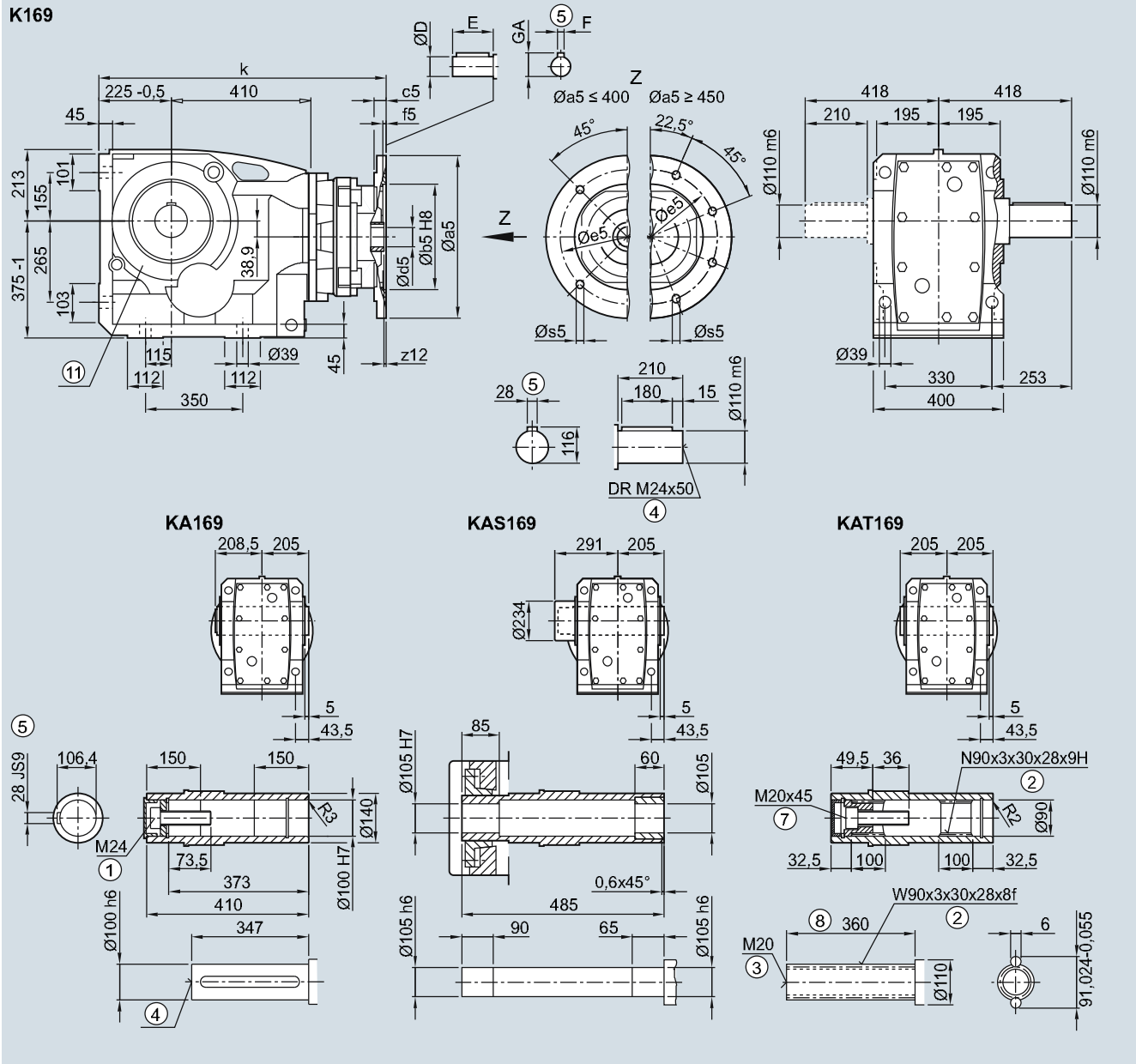


Adapter	a5	b5	c5	f5	e5	s5	z12	d5/D	E	F	GA	k
90	200	130	15	4.5	165	M10	4.0	24	50	8	27.0	604.0
100	250	180	14	5.0	215	M12x21	7.5	28	60	8	31.0	650.5
112	250	180	14	5.0	215	M12x21	7.5	28	60	8	31.0	650.5
132	300	230	12	6.0	265	M12x20	3.0	38	80	10	41.0	666.0
160	350	250	15	6.0	300	M16x25	3.0	42	110	12	45.0	696.0
180	350	250	15	6.0	300	M16x25	3.0	48	110	14	51.5	696.0
200	400	300	20	6.0	350	M16x29	7.0	55	110	16	59.0	736.5
225	450	350	20	6.0	400	M16x29	7.0	60	140	18	64.0	749.0
250	550	450	20	6.0	500	M16x29	10.0	65	140	18	69.0	777.5

① ISO 4014 ② DIN 5480 ③ DIN 332-D ④ DIN 332 ⑤ Feather key/keyway DIN 6885
 ⑦ ISO 4762 ⑧ Without locating shoulder +1 mm ⑥ Use bores only for foot-mounted design

K.169 gearbox in a foot-mounted design

K030K4, KA030K4, KAS030K4, KAT030K4



Adapter	a5	b5	c5	f5	e5	s5	z12	d5/D	E	F	GA	k
100	250	180	14	5.0	215	M12x21	7.5	28	60	8	31.0	743.0
112	250	180	14	5.0	215	M12x21	7.5	28	60	8	31.0	743.0
132	300	230	12	6.0	265	M12x20	3.0	38	80	10	41.0	753.5
160	350	250	15	6.0	300	M16x25	3.0	42	110	12	45.0	783.5
180	350	250	15	6.0	300	M16x25	3.0	48	110	14	51.5	783.5
200	400	300	20	6.0	350	M16x29	7.0	55	110	16	59.0	824.0
225	450	350	20	6.0	400	M16x29	7.0	60	140	18	64.0	830.5
250	550	450	20	6.0	500	M16x29	10.0	65	140	18	69.0	865.0

① ISO 4014 ② DIN 5480 ③ DIN 332-D ④ DIN 332 ⑤ Feather key/keyway DIN 6885
 ⑦ ISO 4762 ⑧ Without locating shoulder +1 mm ⑥ Use bores only for housing flange design



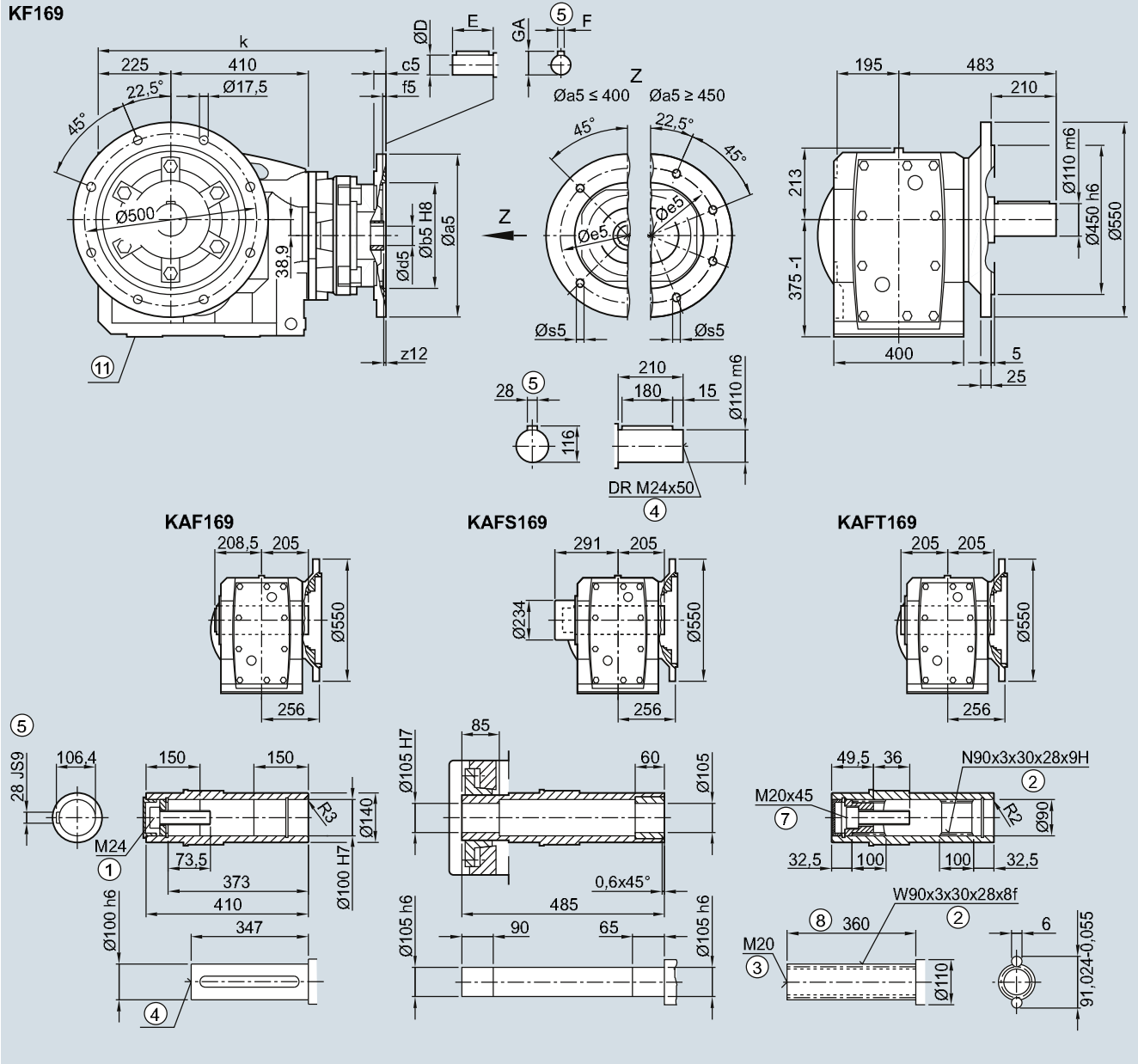
SIMOGEAR Gearboxes

Bevel gearbox with adapter K4

Dimensions

K.F.169 gearbox in a flange-mounted design

KF030K4, KAF030K4, KAFS030K4, KAFT030K4

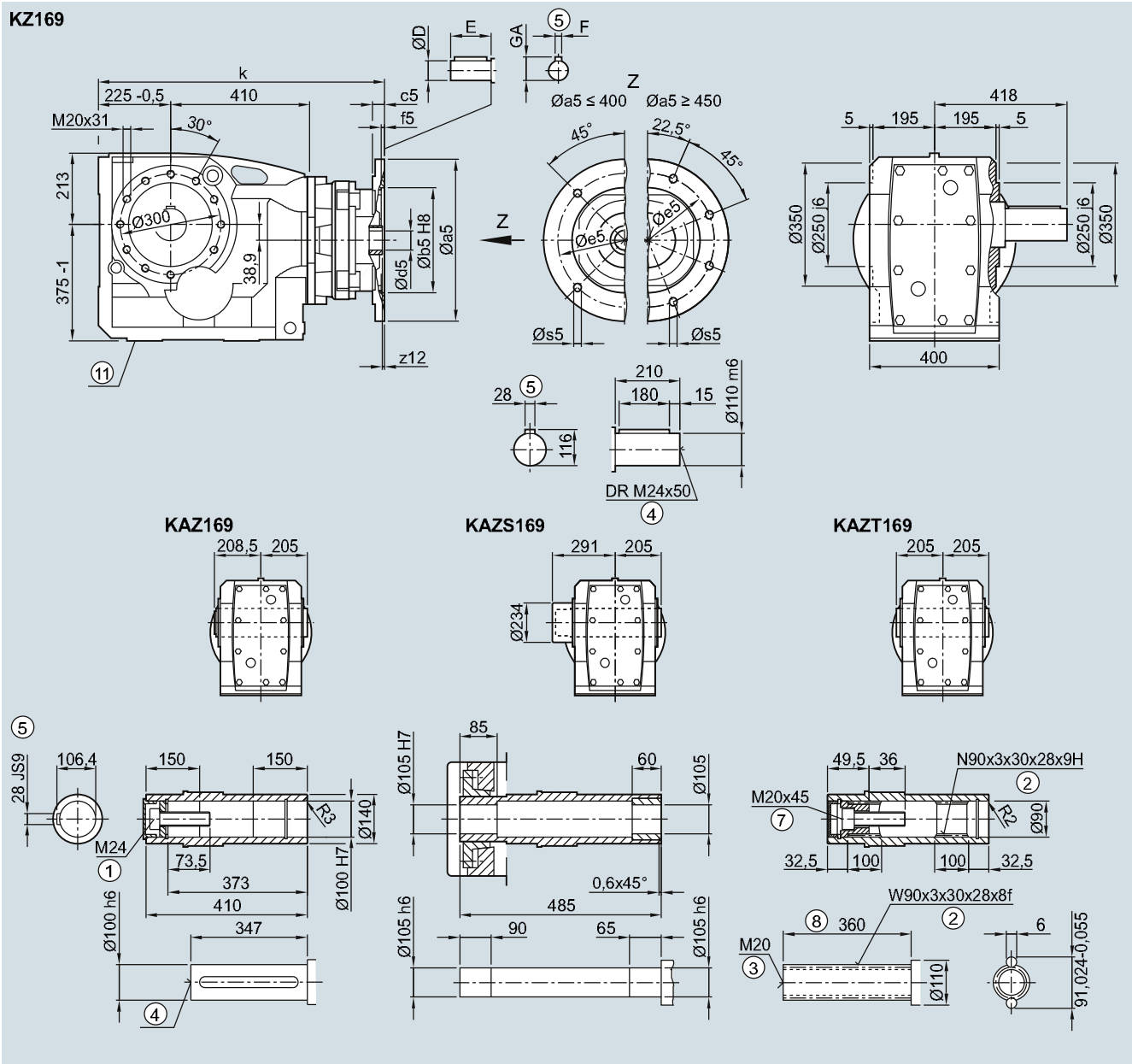


Adapter	a5	b5	c5	f5	e5	s5	z12	d5/D	E	F	GA	k
100	250	180	14	5.0	215	M12x21	7.5	28	60	8	31.0	743.0
112	250	180	14	5.0	215	M12x21	7.5	28	60	8	31.0	743.0
132	300	230	12	6.0	265	M12x20	3.0	38	80	10	41.0	753.5
160	350	250	15	6.0	300	M16x25	3.0	42	110	12	45.0	783.5
180	350	250	15	6.0	300	M16x25	3.0	48	110	14	51.5	783.5
200	400	300	20	6.0	350	M16x29	7.0	55	110	16	59.0	824.0
225	450	350	20	6.0	400	M16x29	7.0	60	140	18	64.0	830.5
250	550	450	20	6.0	500	M16x29	10.0	65	140	18	69.0	865.0

① ISO 4014 ② DIN 5480 ③ DIN 332-D ④ DIN 332 ⑤ Feather key/keyway DIN 6885
 ⑦ ISO 4762 ⑧ Without locating shoulder +1 mm ⑩ Use bores only for foot-mounted design

K.Z.169 gearbox in a housing flange design

KZ030K4, KAZ030K4, KAZS030K4, KAZT030K4

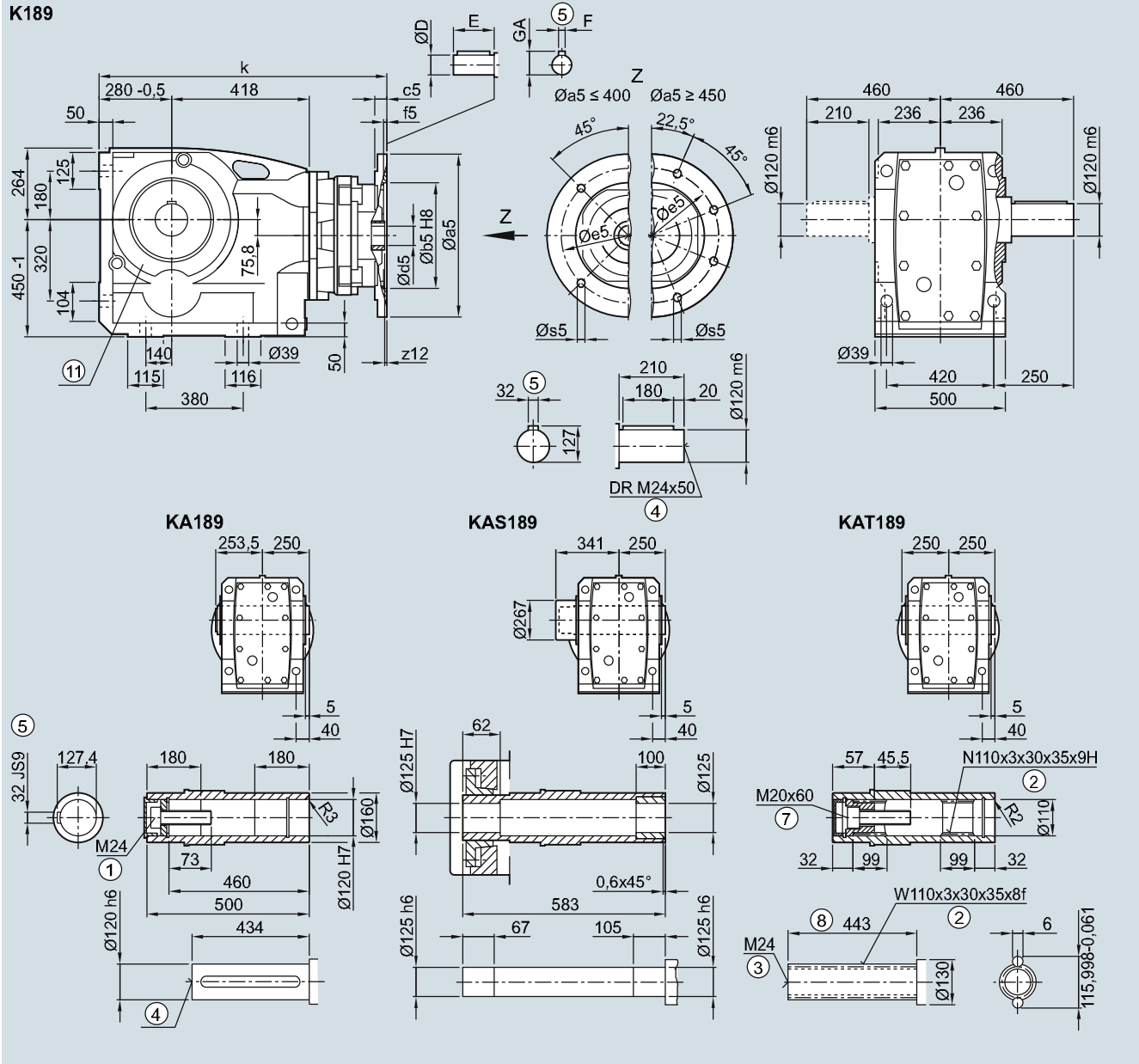


Adapter	a5	b5	c5	f5	e5	s5	z12	d5/D	E	F	GA	k
100	250	180	14	5.0	215	M12x21	7.5	28	60	8	31.0	743.0
112	250	180	14	5.0	215	M12x21	7.5	28	60	8	31.0	743.0
132	300	230	12	6.0	265	M12x20	3.0	38	80	10	41.0	753.5
160	350	250	15	6.0	300	M16x25	3.0	42	110	12	45.0	783.5
180	350	250	15	6.0	300	M16x25	3.0	48	110	14	51.5	783.5
200	400	300	20	6.0	350	M16x29	7.0	55	110	16	59.0	824.0
225	450	350	20	6.0	400	M16x29	7.0	60	140	18	64.0	830.5
250	550	450	20	6.0	500	M16x29	10.0	65	140	18	69.0	865.0

① ISO 4014 ② DIN 5480 ③ DIN 332-D ④ DIN 332 ⑤ Feather key/keyway DIN 6885
 ⑦ ISO 4762 ⑧ Without locating shoulder +1 mm ⑥ Use bores only for foot-mounted design

K.189 gearbox in a foot-mounted design

K030K4, KA030K4, KAS030K4, KAT030K4

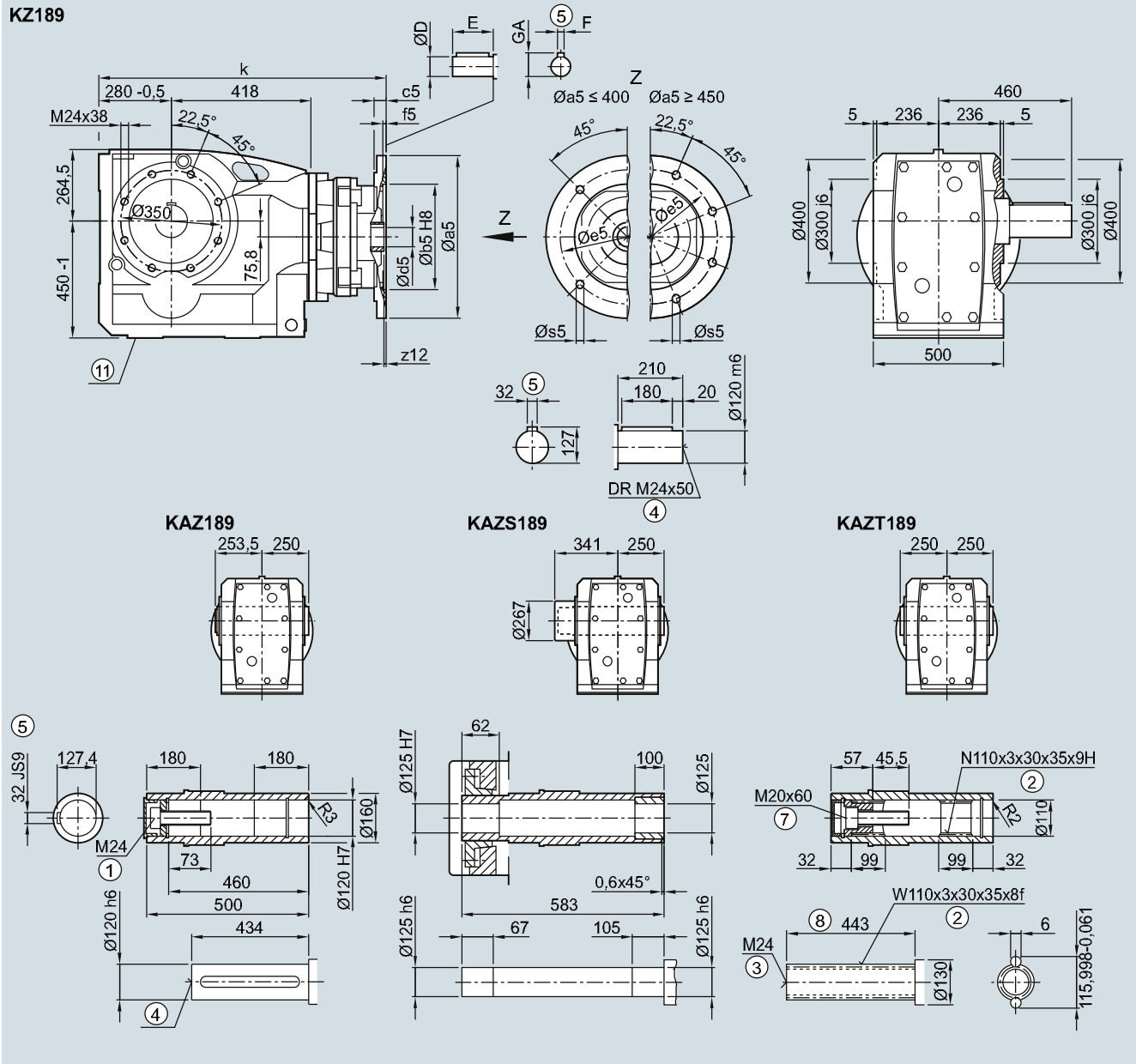


Adapter	a5	b5	c5	f5	e5	s5	z12	d5/D	E	F	GA	k
112	250	180	14	5.0	215	M12x21	7.5	28	60	8	31.0	793.5
132	300	230	12	6.0	265	M12x20	3.0	38	80	10	41.0	803.5
160	350	250	15	6.0	300	M16x25	3.0	42	110	12	45.0	833.5
180	350	250	15	6.0	300	M16x25	3.0	48	110	14	51.5	833.5
200	400	300	20	6.0	350	M16x29	7.0	55	110	16	59.0	873.5
225	450	350	20	6.0	400	M16x29	7.0	60	140	18	64.0	879.0
250	550	450	20	6.0	500	M16x29	10.0	65	140	18	69.0	909.5

- ① ISO 4014
- ② DIN 5480
- ③ DIN 332-D
- ④ DIN 332
- ⑤ Feather key/keyway DIN 6885
- ⑦ ISO 4762
- ⑧ Without locating shoulder +1 mm
- ⑨ Use bores only for housing flange design

K.Z.189 gearbox in a housing flange design

KZ030K4, KAZ030K4, KAZS030K4, KAZT030K4



Adapter	a5	b5	c5	f5	e5	s5	z12	d5/D	E	F	GA	k
112	250	180	14	5.0	215	M12x21	7.5	28	60	8	31.0	793.5
132	300	230	12	6.0	265	M12x20	3.0	38	80	10	41.0	803.5
160	350	250	15	6.0	300	M16x25	3.0	42	110	12	45.0	833.5
180	350	250	15	6.0	300	M16x25	3.0	48	110	14	51.5	833.5
200	400	300	20	6.0	350	M16x29	7.0	55	110	16	59.0	873.5
225	450	350	20	6.0	400	M16x29	7.0	60	140	18	64.0	879.0
250	550	450	20	6.0	500	M16x29	10.0	65	140	18	69.0	909.5

① ISO 4014 ② DIN 5480 ③ DIN 332-D ④ DIN 332 ⑤ Feather key/keyway DIN 6885
 ⑦ ISO 4762 ⑧ Without locating shoulder +1 mm ⑥ Use bores only for foot-mounted design

SIMOGEAR Gearboxes

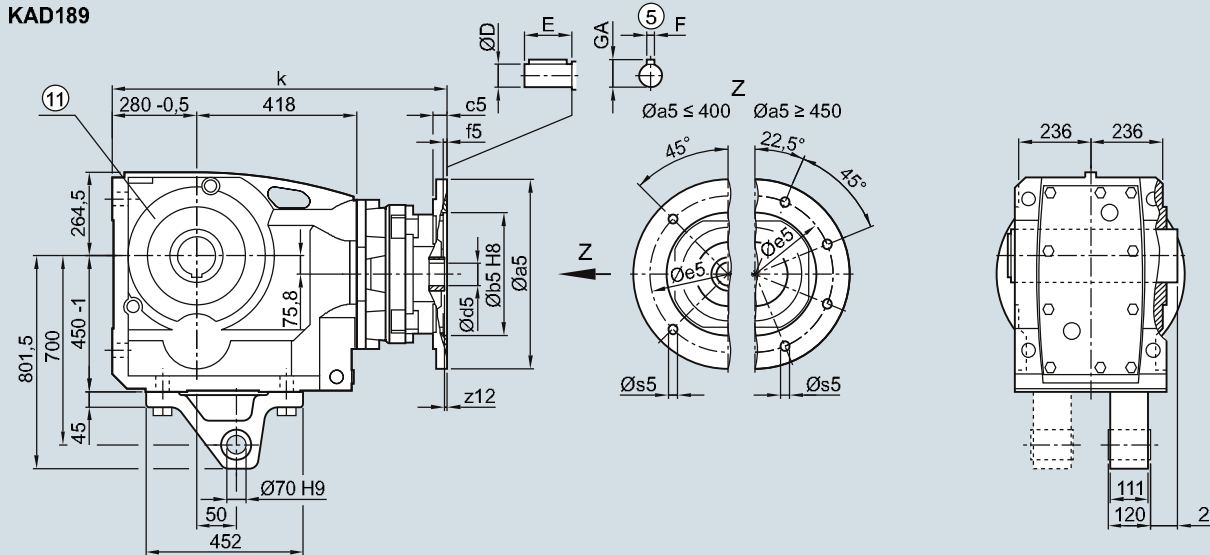
Bevel gearbox with adapter K4

Dimensions

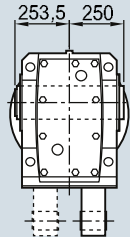
KAD.189 gearbox in a shaft-mounted design

KAD030K4, KADS030K4, KADT030K4

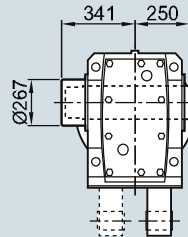
KAD189



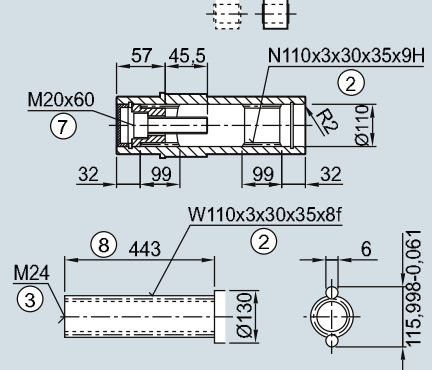
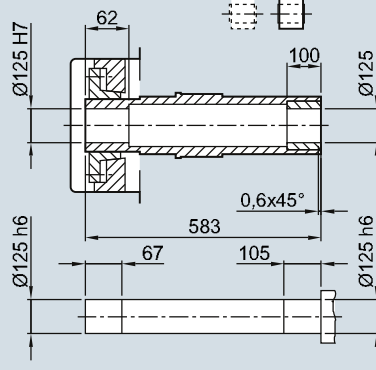
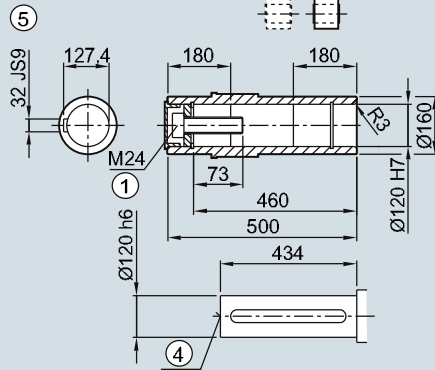
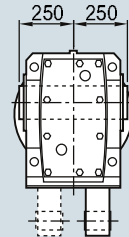
KAD189



KADS189



KADT189



Adapter	a5	b5	c5	f5	e5	s5	z12	d5/D	E	F	GA	k
112	250	180	14	5,0	215	M12x21	7,5	28	60	8	31,0	793,5
132	300	230	12	6,0	265	M12x20	3,0	38	80	10	41,0	803,5
160	350	250	15	6,0	300	M16x25	3,0	42	110	12	45,0	833,5
180	350	250	15	6,0	300	M16x25	3,0	48	110	14	51,5	833,5
200	400	300	20	6,0	350	M16x29	7,0	55	110	16	59,0	873,5
225	450	350	20	6,0	400	M16x29	7,0	60	140	18	64,0	879,0
250	550	450	20	6,0	500	M16x29	10,0	65	140	18	69,0	909,5

① ISO 4014

② DIN 5480

③ DIN 332-D

④ DIN 332

⑤ Feather key/keyway DIN 6885

⑦ ISO 4762

⑧ Without locating shoulder +1 mm

⑩ Use bores only for housing flange design

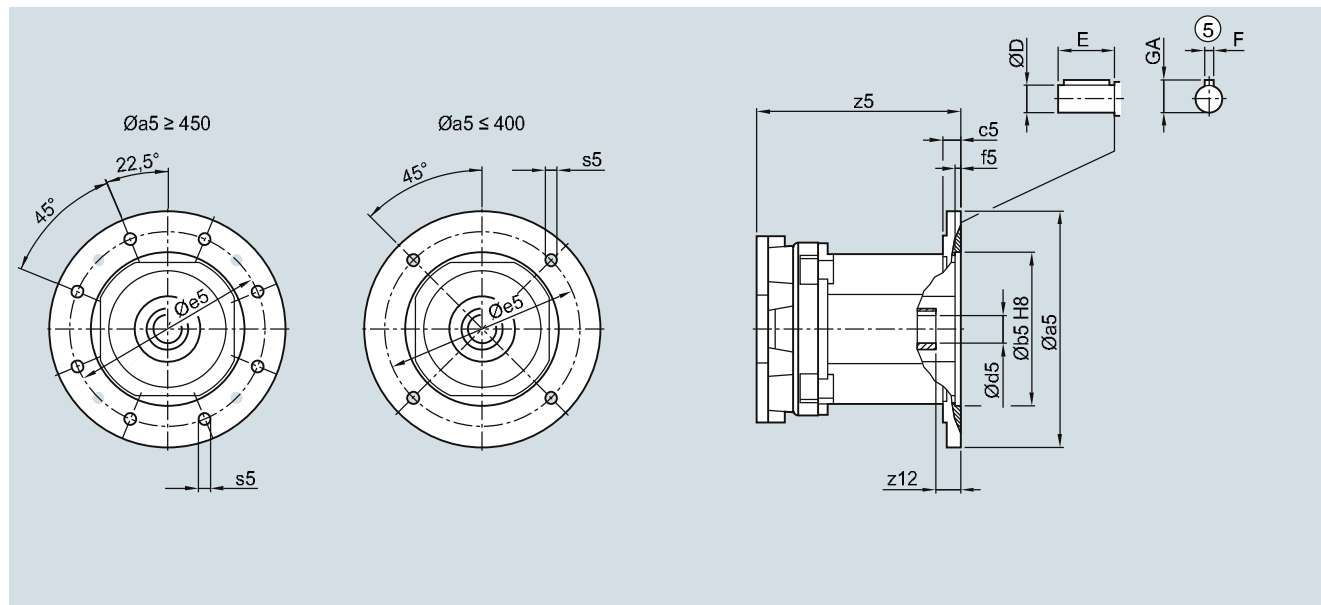
SIMOGEAR Gearboxes

Bevel gearbox with adapter K2

Dimensions

B...29 to B...49 and K...39 to K...69 gearboxes

B..030K2, B.F.030K2, B.Z.030K2, BAD.030K2
K..030K2, K.F.030K2, K.Z.030K2, KAD.030K2

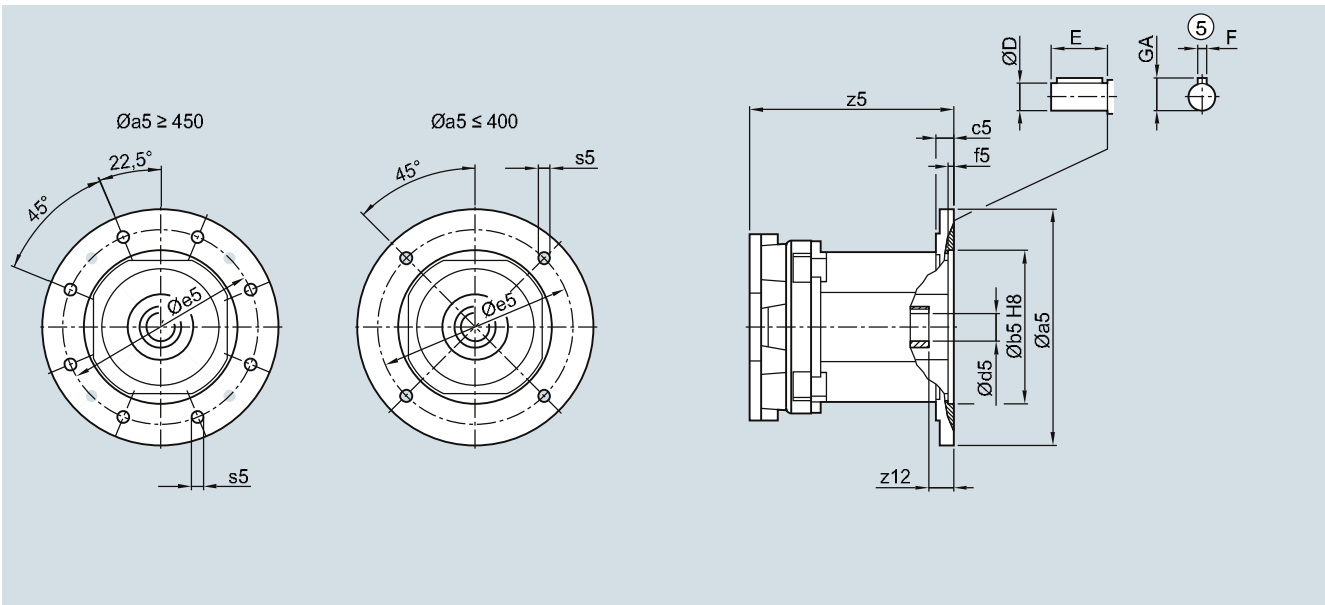


Adapter	a5	b5	c5	f5	e5	s5	z12	d5/D	E	F	GA	z5
B...29												
80	200	130	15	4.5	165	M10	15	19	40	6	21.5	198.0
90	200	130	15	4.5	165	M10	25	24	50	8	27.0	198.0
100	250	180	18	5.0	215	M12	30	28	60	8	31.0	245.0
B...39												
80	200	130	15	4.5	165	M10	15	19	40	6	21.5	198.0
90	200	130	15	4.5	165	M10	25	24	50	8	27.0	198.0
100	250	180	18	5.0	215	M12	30	28	60	8	31.0	245.0
112	250	180	18	5.0	215	M12	30	28	60	8	31.0	245.0
B...49												
80	200	130	15	4.5	165	M10	15	19	40	6	21.5	188.5
90	200	130	15	4.5	165	M10	25	24	50	8	27.0	188.5
100	250	180	18	5.0	215	M12	30	28	60	8	31.0	235.5
112	250	180	18	5.0	215	M12	30	28	60	8	31.0	235.5
132	300	230	18	5.0	265	M12	45	38	80	10	41.0	313.5
K...39												
80	200	130	15	4.5	165	M10	15	19	40	6	21.5	198.0
90	200	130	15	4.5	165	M10	25	24	50	8	27.0	198.0
100	250	180	18	5.0	215	M12	30	28	60	8	31.0	245.0
112	250	180	18	5.0	215	M12	30	28	60	8	31.0	245.0
K...49												
80	200	130	15	4.5	165	M10	15	19	40	6	21.5	188.5
90	200	130	15	4.5	165	M10	25	24	50	8	27.0	188.5
100	250	180	18	5.0	215	M12	30	28	60	8	31.0	235.5
112	250	180	18	5.0	215	M12	30	28	60	8	31.0	235.5
132	300	230	18	5.0	265	M12	45	38	80	10	41.0	313.5
K...69												
80	200	130	15	4.5	165	M10	15	19	40	6	21.5	188.5
90	200	130	15	4.5	165	M10	25	24	50	8	27.0	188.5
100	250	180	18	5.0	215	M12	30	28	60	8	31.0	235.5
112	250	180	18	5.0	215	M12	30	28	60	8	31.0	235.5
132	300	230	18	5.0	265	M12	45	38	80	10	41.0	313.5

⑤ Feather key/keyway DIN 6885

SIMOGEAR Gearboxes

Bevel gearbox with adapter K2

Dimensions**K...79 to K...129 gearboxes** (continued)**B..030K2, B.F.030K2, B.Z.030K2, BAD.030K2
K..030K2, K.F.030K2, K.Z.030K2, KAD.030K2**

Adapter	a5	b5	c5	f5	e5	s5	z12	d5/D	E	F	GA	z5
K...79												
80	200	130	15	4.5	165	M10	15	19	40	6	21.5	188.5
90	200	130	15	4.5	165	M10	25	24	50	8	27.0	188.5
100	250	180	18	5.0	215	M12	30	28	60	8	31.0	235.5
112	250	180	18	5.0	215	M12	30	28	60	8	31.0	235.5
132	300	230	18	5.0	265	M12	45	38	80	10	41.0	313.5
K...89												
80	200	130	15	4.5	165	M10	15	19	40	6	21.5	182.5
90	200	130	15	4.5	165	M10	25	24	50	8	27.0	182.5
100	250	180	18	5.0	215	M12	30	28	60	8	31.0	229.5
112	250	180	18	5.0	215	M12	30	28	60	8	31.0	229.5
132	300	230	18	5.0	265	M12	45	38	80	10	41.0	307.5
160	350	250	25	6.0	300	M16	66	42	110	12	45.0	352.5
K...109												
80	200	130	15	4.5	165	M10	15	19	40	6	21.5	169.5
90	200	130	15	4.5	165	M10	25	24	50	8	27.0	169.5
100	250	180	18	5.0	215	M12	30	28	60	8	31.0	212.5
112	250	180	18	5.0	215	M12	30	28	60	8	31.0	212.5
132	300	230	18	5.0	265	M12	45	38	80	10	41.0	290.5
160	350	250	25	6.0	300	M16	66	42	110	12	45.0	335.5
180	350	250	25	6.0	300	M16	59	48	110	14	51.5	335.5
K...129												
90	200	130	15	4.5	165	M10	25	24	50	8	27.0	162.5
100	250	180	18	5.0	215	M12	30	28	60	8	31.0	203.5
112	250	180	18	5.0	215	M12	30	28	60	8	31.0	203.5
132	300	230	18	5.0	265	M12	45	38	80	10	41.0	281.5
160	350	250	25	6.0	300	M16	66	42	110	12	45.0	326.5
180	350	250	25	6.0	300	M16	59	48	110	14	51.5	326.5
200	400	300	20	6.0	350	M16x29	60	55	110	16	59.0	371.5
225	450	350	50	6.0	400	M16x29	84 (36)	60 (55)	140 (110)	18 (16)	64.0 (59.0)	419.0

⑤ Feather key/keyway DIN 6885

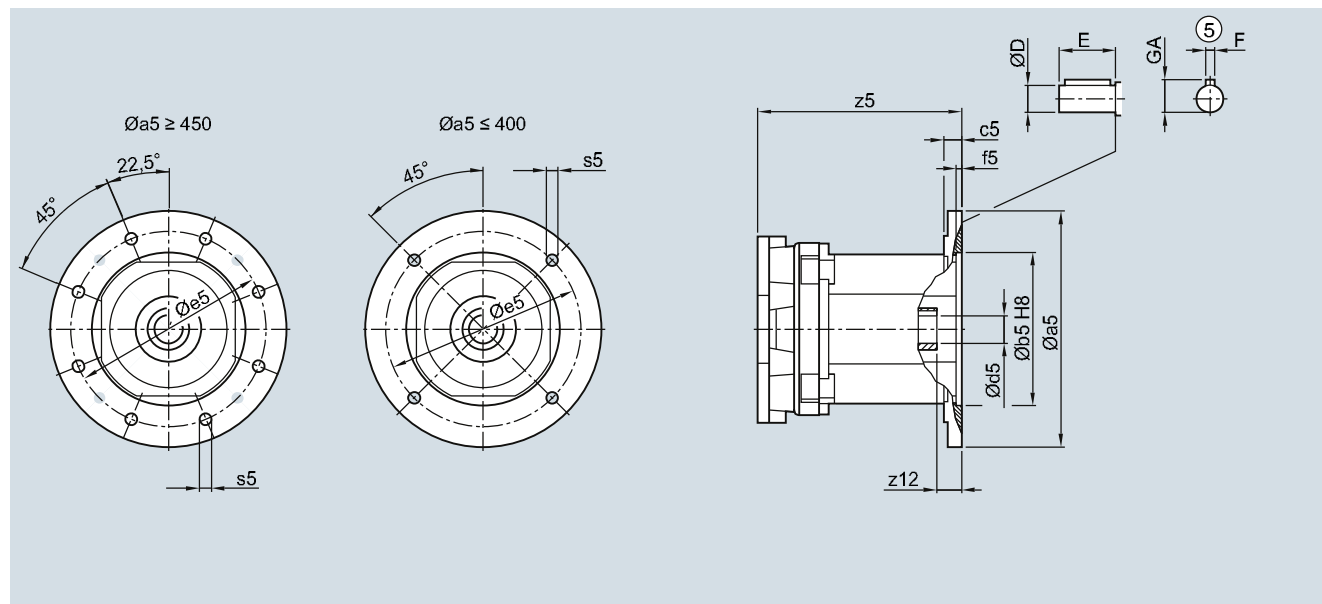
SIMOGEAR Gearboxes

Bevel gearbox with adapter K2

Dimensions

K...149 to K...189 gearboxes (continued)

K...030K2, K.F.030K2, K.Z.030K2, KAD.030K2

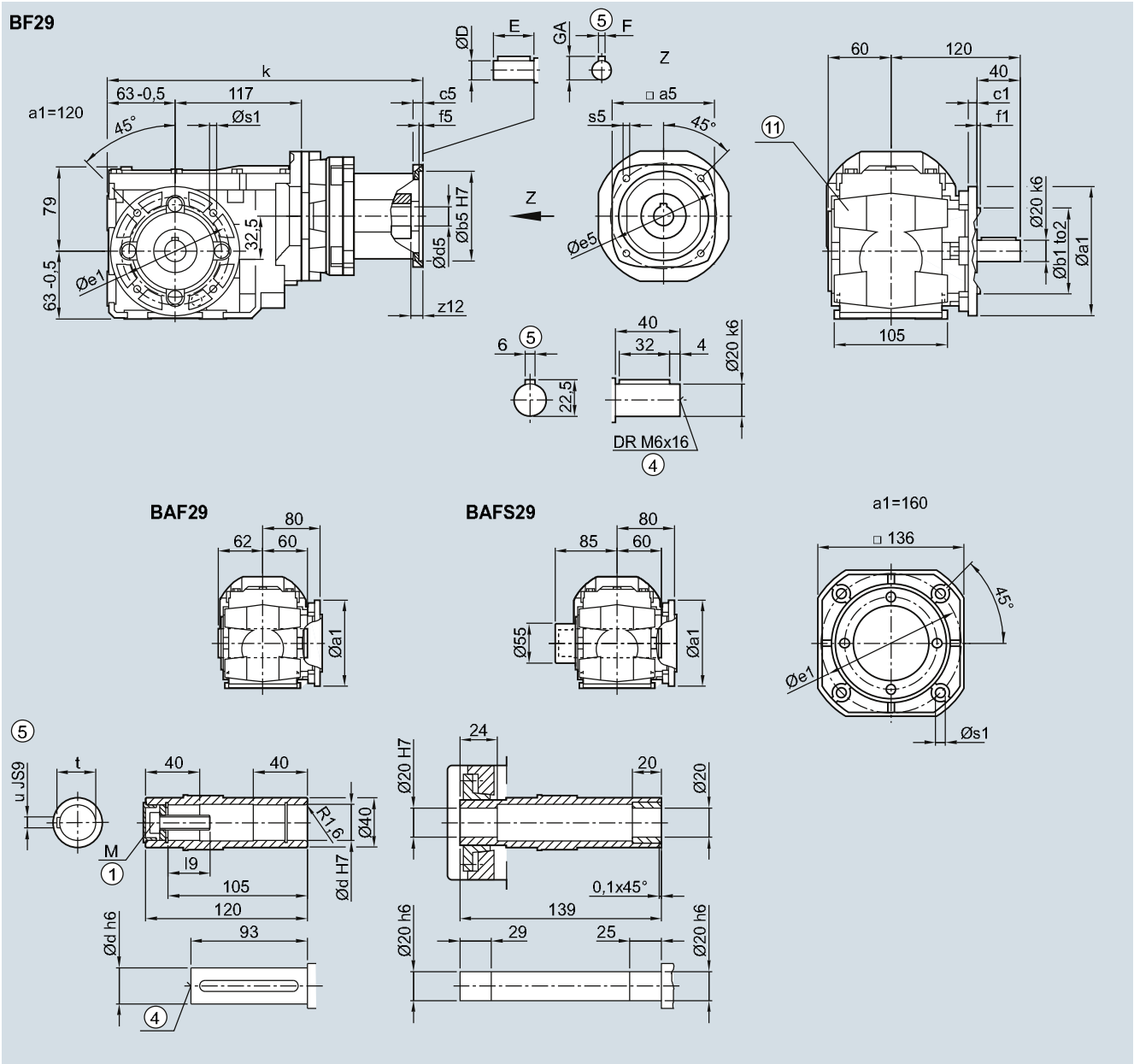


Adapter	a5	b5	c5	f5	e5	s5	z12	d5/D	E	F	GA	z5
K...149												
90	200	130	15	4.5	165	M10	25	24	50	8	27.0	155.5
100	250	180	18	5.0	215	M12	30	28	60	8	31.0	194.5
112	250	180	18	5.0	215	M12	30	28	60	8	31.0	194.5
132	300	230	18	5.0	265	M12	45	38	80	10	41.0	270.5
160	350	250	25	6.0	300	M16	66	42	110	12	45.0	315.5
180	350	250	25	6.0	300	M16	59	48	110	14	51.5	315.5
200	400	300	20	6.0	350	M16x29	60	55	110	16	59.0	360.5
225	450	350	50	6.0	400	M16x29	84 (36)	60 (55)	140 (110)	18 (16)	64.0 (59.0)	414.0
250	550	450	27	6.0	500	M16	75	65	140	18	69	445.5
K...169												
100	250	180	18	5.0	215	M12	30	28	60	8	31.0	193.0
112	250	180	18	5.0	215	M12	30	28	60	8	31.0	193.0
132	300	230	18	5.0	265	M12	45	38	80	10	41.0	264.0
160	350	250	25	6.0	300	M16	66	42	110	12	45.0	309.0
180	350	250	25	6.0	300	M16	59	48	110	14	51.5	309.0
200	400	300	20	6.0	350	M16x29	60	55	110	16	59.0	354.0
225	450	350	50	6.0	400	M16x29	84 (36)	60 (55)	140 (110)	18 (16)	64.0 (59.0)	401.5
250	550	450	27	6.0	500	M16	75	65	140	18	69.0	439.0
280	550	450	27	6.0	500	M16	51	75 (65)	140	20 (18)	79.5 (69)	314.5
K...189												
112	250	180	18	5.0	215	M12	30	28	60	8	31.0	180.5
132	300	230	18	5.0	265	M12	45	38	80	10	41.0	251.0
160	350	250	25	6.0	300	M16	66	42	110	12	45.0	296.0
180	350	250	25	6.0	300	M16	59	48	110	14	51.5	296.0
200	400	300	20	6.0	350	M16x29	60	55	110	16	59.0	340.5
225	450	350	50	6.0	400	M16x29	84 (36)	60 (55)	140 (110)	18 (16)	64.0 (59.0)	387.0
250	550	450	27	6.0	500	M16	75	65	140	18	69	420.5
280	550	450	27	6.0	500	M16	51	75 (65)	140	20 (18)	79.5 (69.0)	297.5
315	660	550	33	8.0	600	m20	33.5	80 (65)	170 (140)	22 (18)	85.0 (69.0)	321.5

⑤ Feather key/keyway DIN 6885

B.F.29 gearbox in a flange-mounted design

BF030KQ, BAF030KQ, BAFS030KQ



Flange	a1	b1	to2	c1	e1	f1	s1					
	120	80	j6	8	100	3.0	6.6					
	160	110	j6	9	130	3.5	9.0					
Shaft	d	i9	M	t	u							
	20	23.4	M6	22.8	6							
	25	27.6	M10	28.3	8							
Adapter	a5	b5	c5	f5	e5	s5	z12	d5/D	E	F	GA	k
703	71.6	60	9	4.0	75	M5	18	14	30	5	16.0	279.5
704	96.5	80	10	4.0	100	M6	14	19	40	6	21.5	326.5
706	126.0	110	12	4.5	130	M8	15	24	50	8	27.0	339.5

① ISO 4014

④ DIN 332

⑤ Feather key/keyway DIN 6885

⑪ Use bores only for foot-mounted design

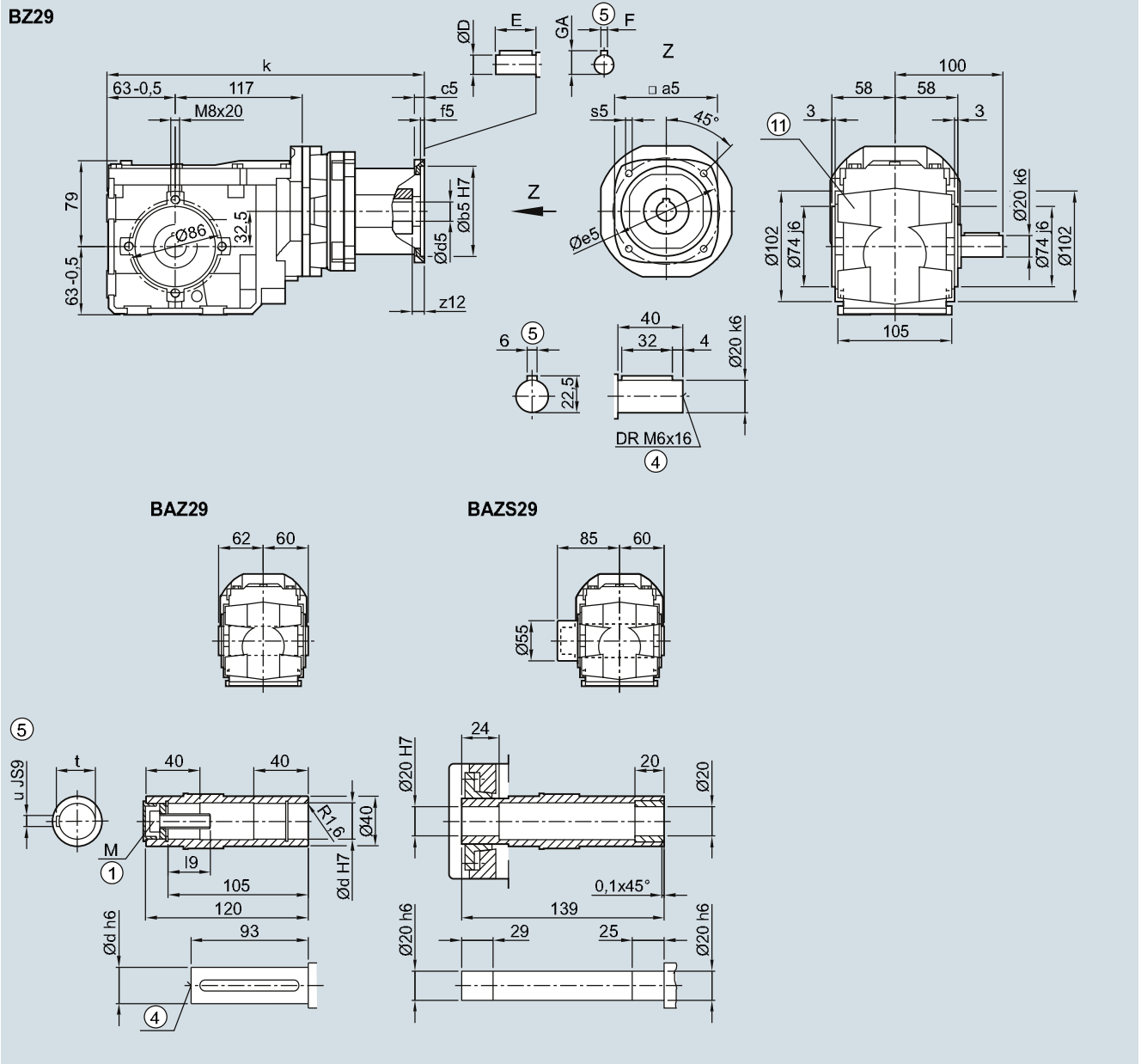
SIMOGEAR Gearboxes

Bevel gearbox with adapter KQ

Dimensions

B.Z.29 gearbox in a housing flange design

BZ030KQ, BAZ030KQ, BAZS030KQ



Shaft	d	i9	M	t	u
	20	23.4	M6	22.8	6
	25	27.6	M10	28.3	8

Adapter	a5	b5	c5	f5	e5	s5	z12	d5/D	E	F	GA	k
703	71.6	60	9	4.0	75	M5	18	14	30	5	16.0	279.5
704	96.5	80	10	4.0	100	M6	14	19	40	6	21.5	326.5
706	126.0	110	12	4.5	130	M8	15	24	50	8	27.0	339.5

① ISO 4014

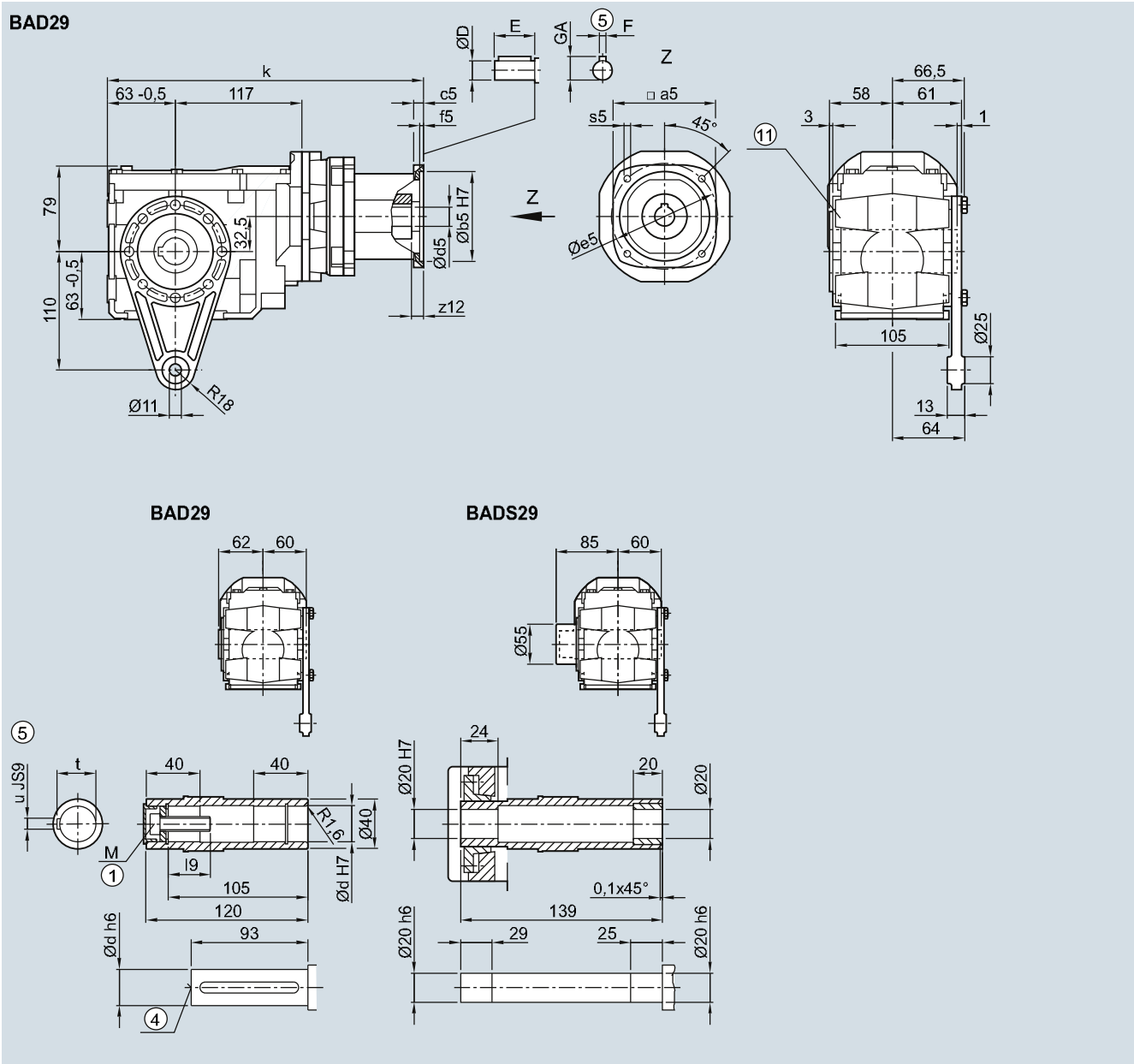
④ DIN 332

⑤ Feather key/keyway DIN 6885

⑪ Use bores only for foot-mounted design

BAD.29 gearbox in a shaft-mounted design

BAD030KQ, BADS030KQ



Shaft	d	i9	M	t	u
	20	23.4	M6	22.8	6
	25	27.6	M10	28.3	8

Adapter	a5	b5	c5	f5	e5	s5	z12	d5/D	E	F	GA	k
703	71.6	60	9	4.0	75	M5	18	14	30	5	16.0	279.5
704	96.5	80	10	4.0	100	M6	14	19	40	6	21.5	326.5
706	126.0	110	12	4.5	130	M8	15	24	50	8	27.0	339.5

① ISO 4014

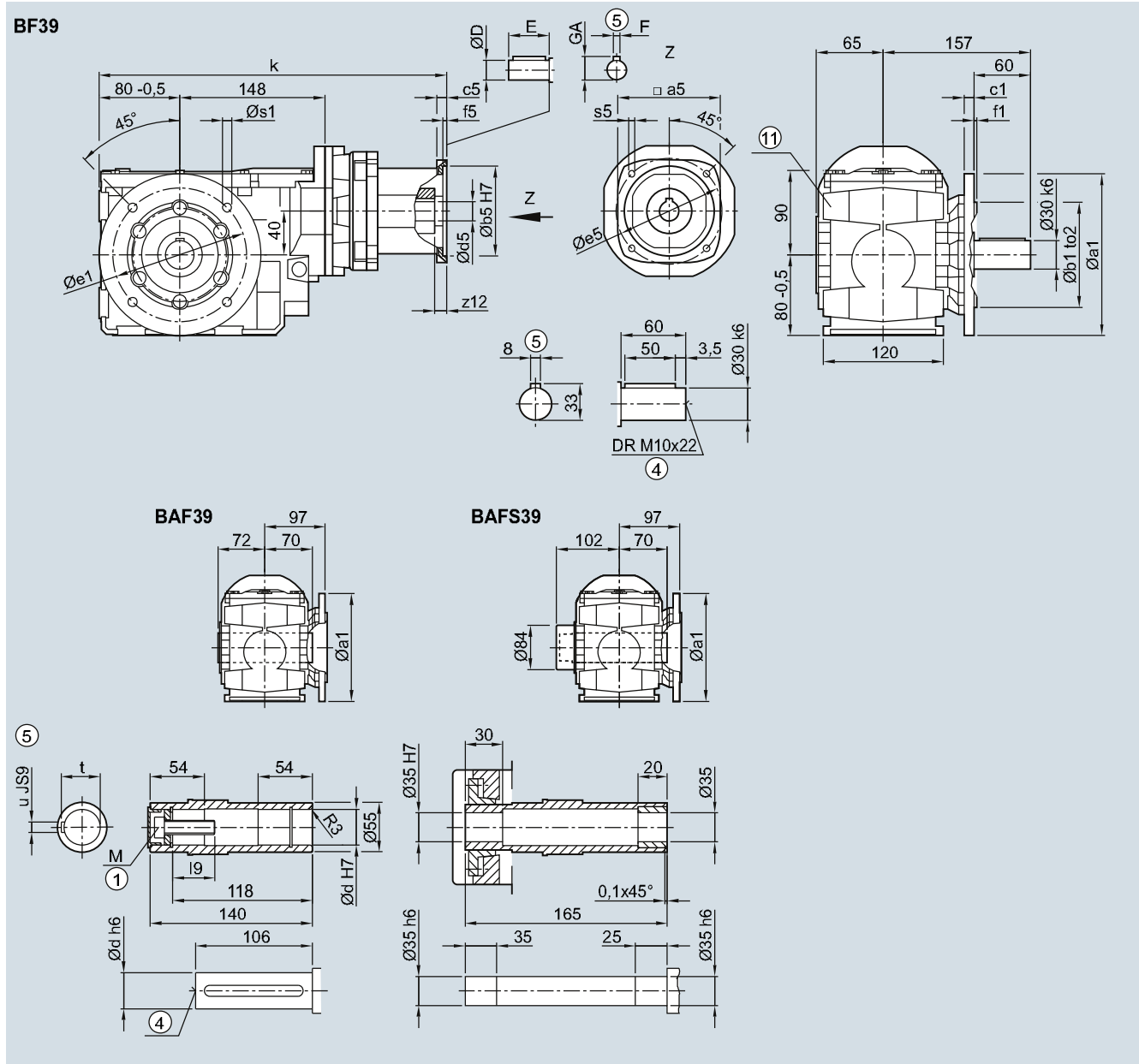
④ DIN 332

⑤ Feather key/keyway DIN 6885

⑩ Use bores only for foot-mounted design

B.F.39 gearbox in a flange-mounted design

BF030KQ, BAF030KQ, BAFS030KQ



Flange	a1	b1	to2	c1	e1	f1	s1					
	160	110	j6	10	130	3.5	11.0					
	200	130	j6	12	165	3.5	11.0					
Shaft	d	l9	M	t	u							
	30	32.6	M10	33.3	8							
	35	37.0	M12	38.3	10							
	40	47.75	M16	43.3	12							
Adapter	a5	b5	c5	f5	e5	s5	z12	d5/D	E	F	GA	k
703	71.6	60	9	4.0	75	M5	18.0	14	30	5	16.0	327.5
704	96.5	80	10	4.0	100	M6	14.0	19	40	6	21.5	374.5
706	126.0	110	12	4.5	130	M8	15.0	24	50	8	27.0	387.5
708	155.0	130	15	4.5	165	M10	23.5	32	58	10	35.0	431.0

① ISO 4014

④ DIN 332

⑤ Feather key/keyway DIN 6885

⑩ Use bores only for foot-mounted design

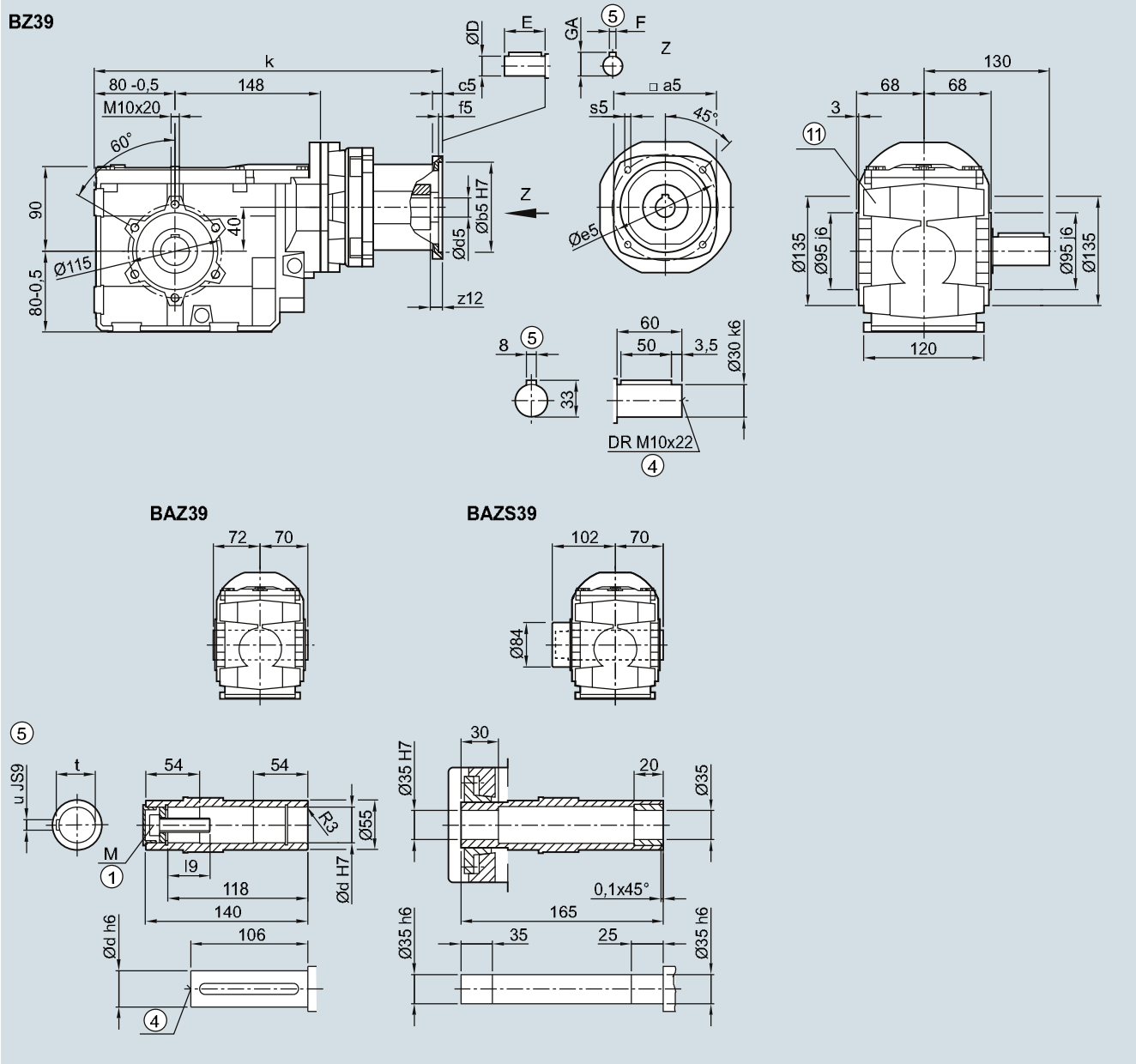
SIMOGEAR Gearboxes

Bevel gearbox with adapter KQ

Dimensions

B.Z.39 in a housing flange design

BZ030KQ, BAZ030KQ, BAZS030KQ



Adapter	a5	b5	c5	f5	e5	s5	z12	d5/D	E	F	GA	k
703	71.6	60	9	4.0	75	M5	18.0	14	30	5	16.0	327.5
704	96.5	80	10	4.0	100	M6	14.0	19	40	6	21.5	374.5
706	126.0	110	12	4.5	130	M8	15.0	24	50	8	27.0	387.5
708	155.0	130	15	4.5	165	M10	23.5	32	58	10	35.0	431.0

① ISO 4014

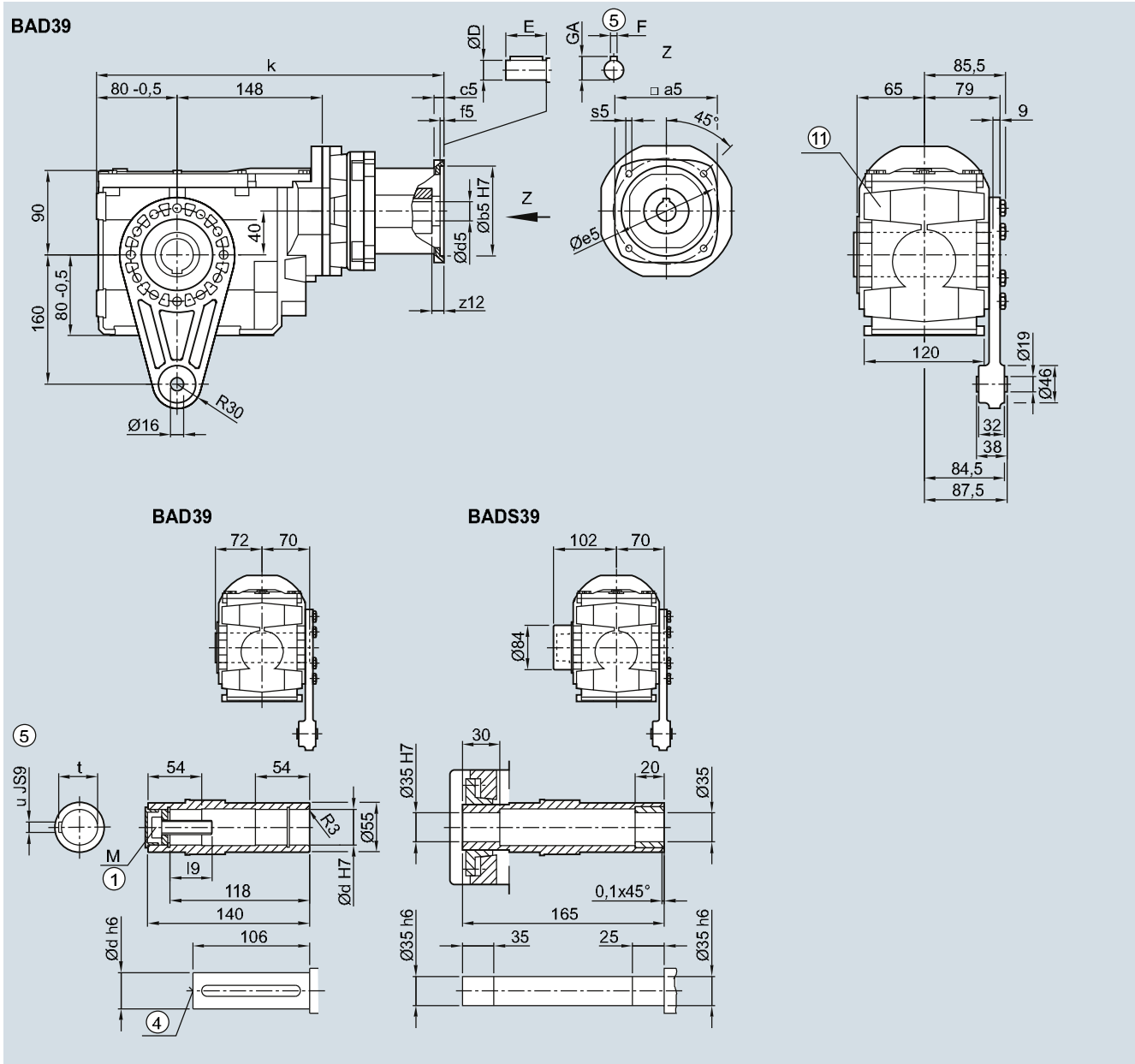
④ DIN 332

⑤ Feather key/keyway DIN 6885

⑪ Use bores only for foot-mounted design

BAD.39 gearbox in a shaft-mounted design

BAD030KQ, BADS030KQ



Adapter	a5	b5	c5	f5	e5	s5	z12	d5/D	E	F	GA	k
703	71.6	60	9	4.0	75	M5	18.0	14	30	5	16.0	327.5
704	96.5	80	10	4.0	100	M6	14.0	19	40	6	21.5	374.5
706	126.0	110	12	4.5	130	M8	15.0	24	50	8	27.0	387.5
708	155.0	130	15	4.5	165	M10	23.5	32	58	10	35.0	431.0

① ISO 4014

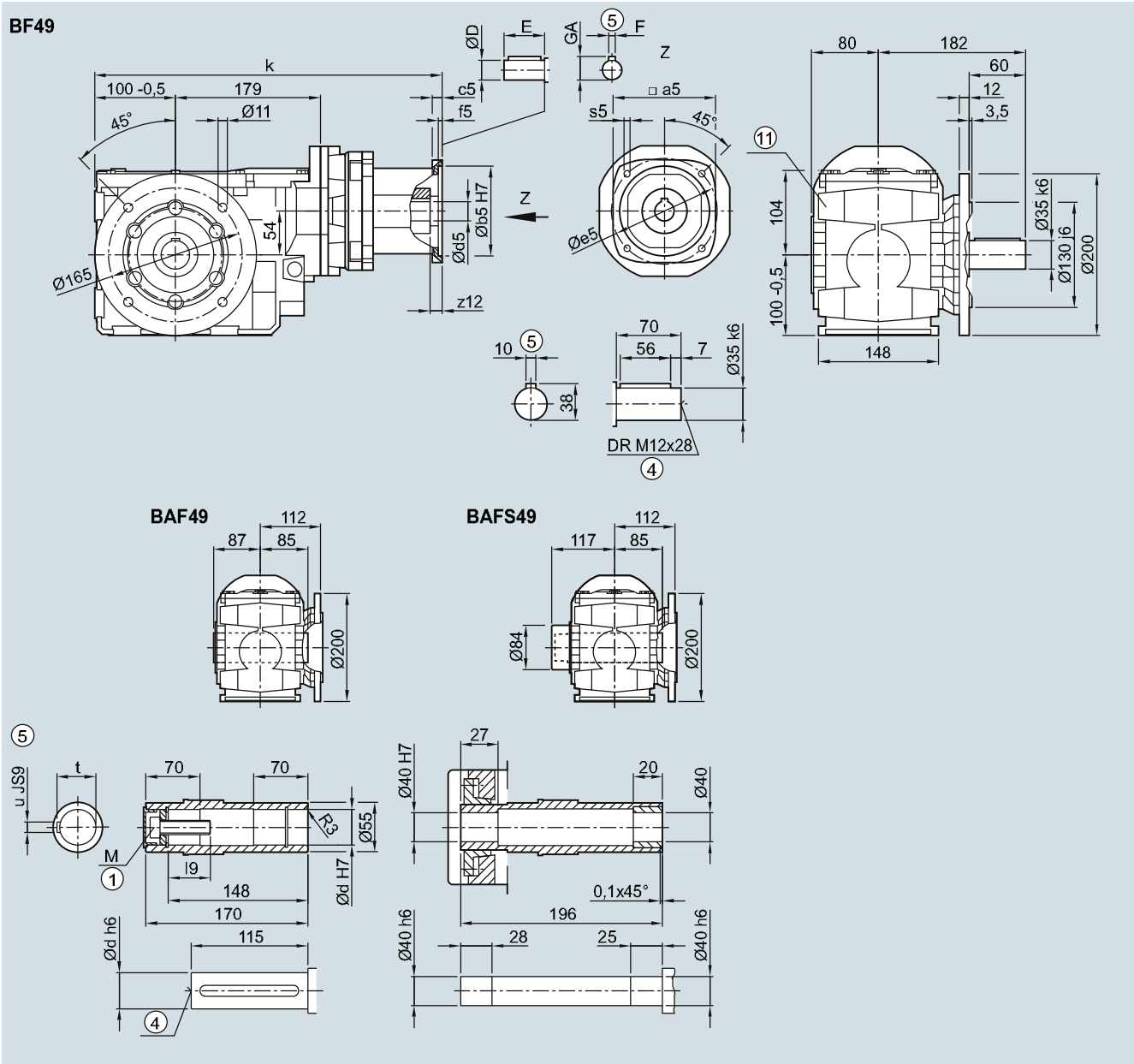
④ DIN 332

⑤ Feather key/keyway DIN 6885

⑩ Use bores only for foot-mounted design

B.F.49 gearbox in a flange-mounted design

BF030KQ, BAF030KQ, BAFS030KQ



Adapter	a5	b5	c5	f5	e5	s5	z12	d5/D	E	F	GA	k
703	71.6	60	9	4.0	75	M5	18.0	14	30	5	16.0	369.0
704	96.5	80	10	4.0	100	M6	14.0	19	40	6	21.5	416.0
706	126.0	110	12	4.5	130	M8	15.0	24	50	8	27.0	429.0
708	155.0	130	15	4.5	165	M10	23.5	32	58	10	35.0	472.5
710	192.5	180	15	5.0	215	M12	33.0	38	80	10	41.0	541.5

① ISO 4014

④ DIN 332

⑤ Feather key/keyway DIN 6885

⑩ Use bores only for foot-mounted design

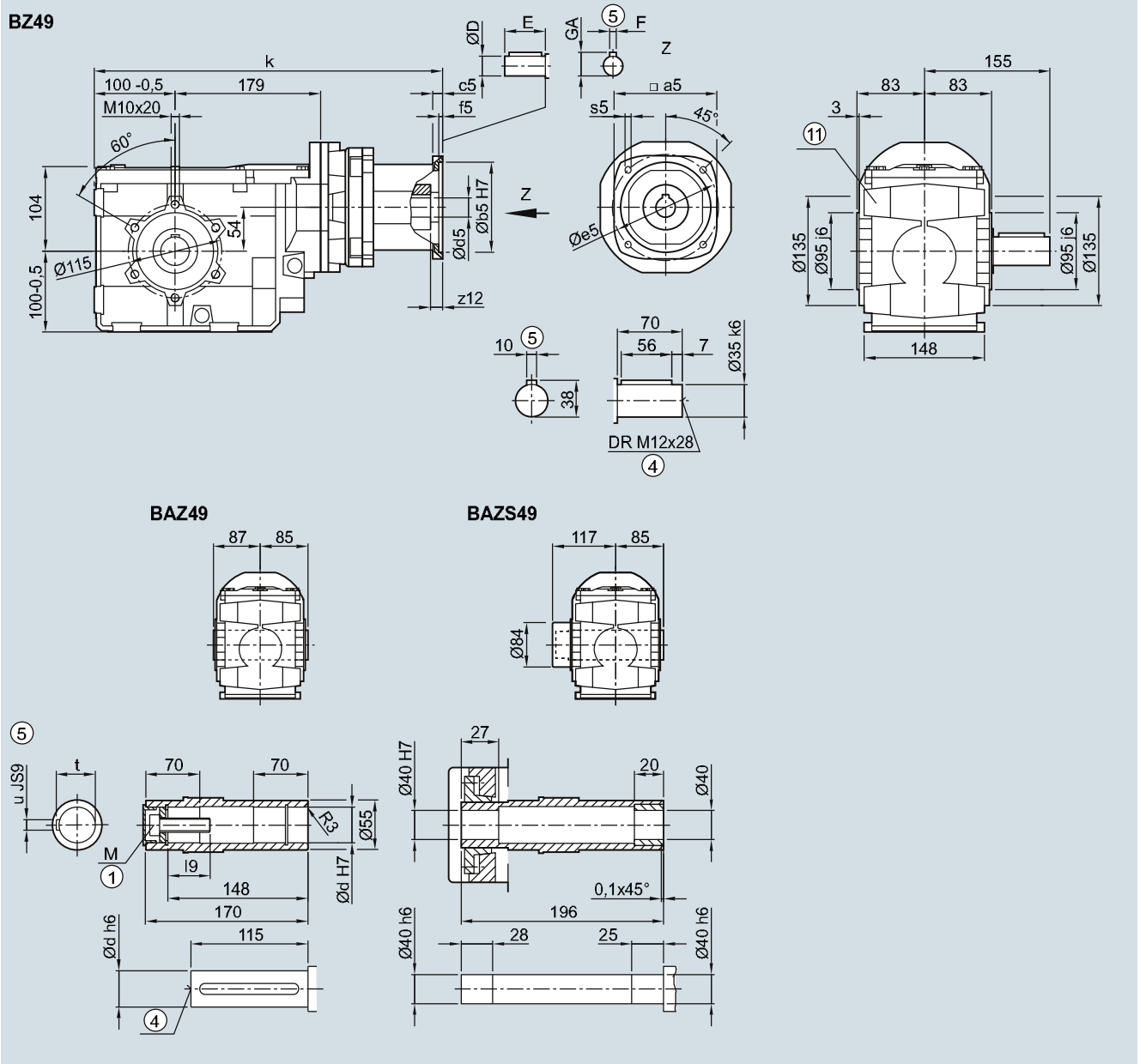
SIMOGEAR Gearboxes

Bevel gearbox with adapter KQ

Dimensions

B.Z.49 in a housing flange design

BZ030KQ, BAZ030KQ, BAZS030KQ



Adapter	a5	b5	c5	f5	e5	s5	z12	d5/D	E	F	GA	k
703	71.6	60	9	4.0	75	M5	18.0	14	30	5	16.0	369.0
704	96.5	80	10	4.0	100	M6	14.0	19	40	6	21.5	416.0
706	126.0	110	12	4.5	130	M8	15.0	24	50	8	27.0	429.0
708	155.0	130	15	4.5	165	M10	23.5	32	58	10	35.0	472.5
710	192.5	180	15	5.0	215	M12	33.0	38	80	10	41.0	541.5

① ISO 4014

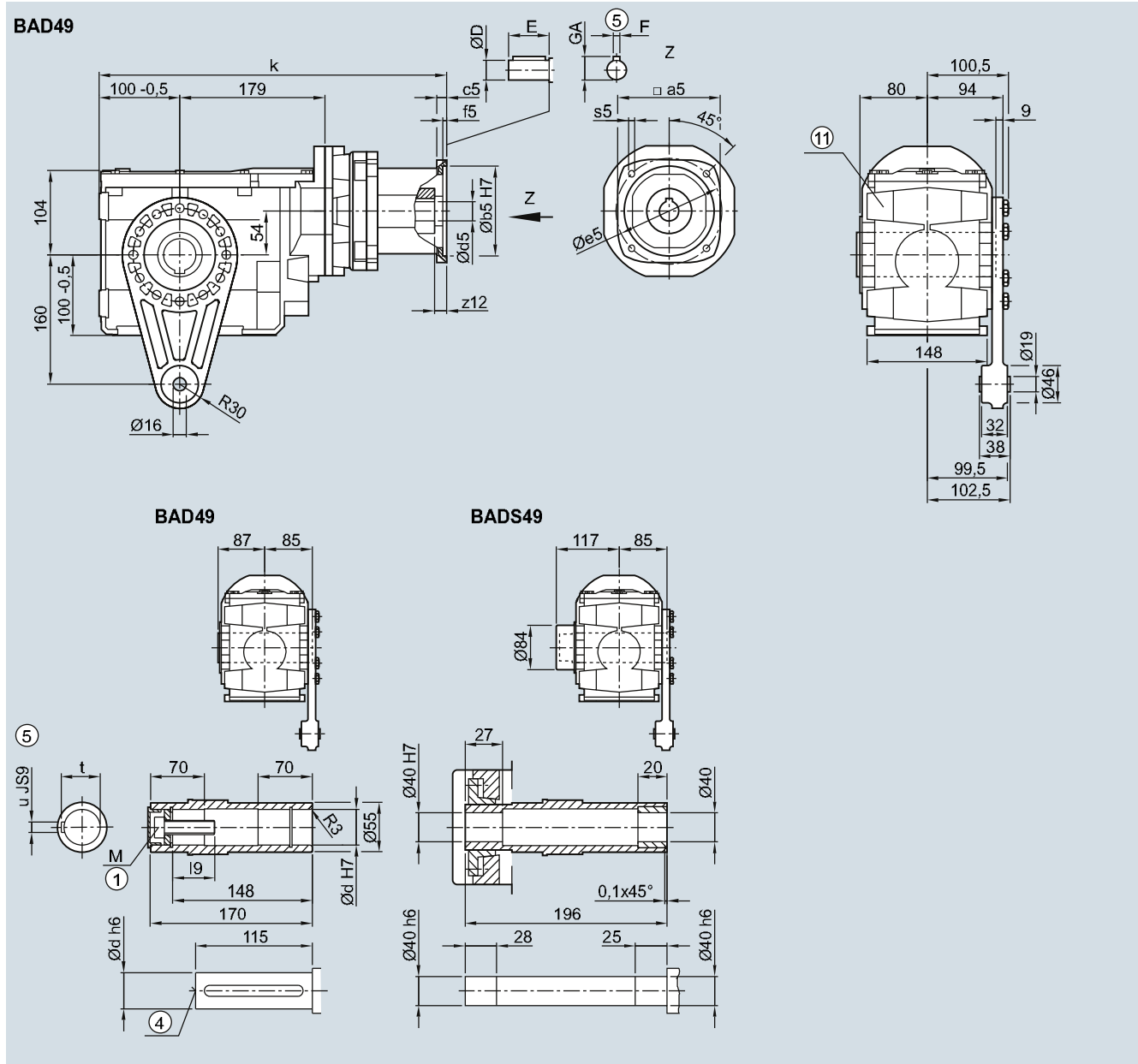
④ DIN 332

⑤ Feather key/keyway DIN 6885

⑪ Use bores only for foot-mounted design

BAD.49 gearbox in a shaft-mounted design

BAD030KQ, BADS030KQ



Adapter	a5	b5	c5	f5	e5	s5	z12	d5/D	E	F	GA	k
703	71.6	60	9	4.0	75	M5	18.0	14	30	5	16.0	369.0
704	96.5	80	10	4.0	100	M6	14.0	19	40	6	21.5	416.0
706	126.0	110	12	4.5	130	M8	15.0	24	50	8	27.0	429.0
708	155.0	130	15	4.5	165	M10	23.5	32	58	10	35.0	472.5
710	192.5	180	15	5.0	215	M12	33.0	38	80	10	41.0	541.5

① ISO 4014

④ DIN 332

⑤ Feather key/keyway DIN 6885

⑪ Use bores only for foot-mounted design

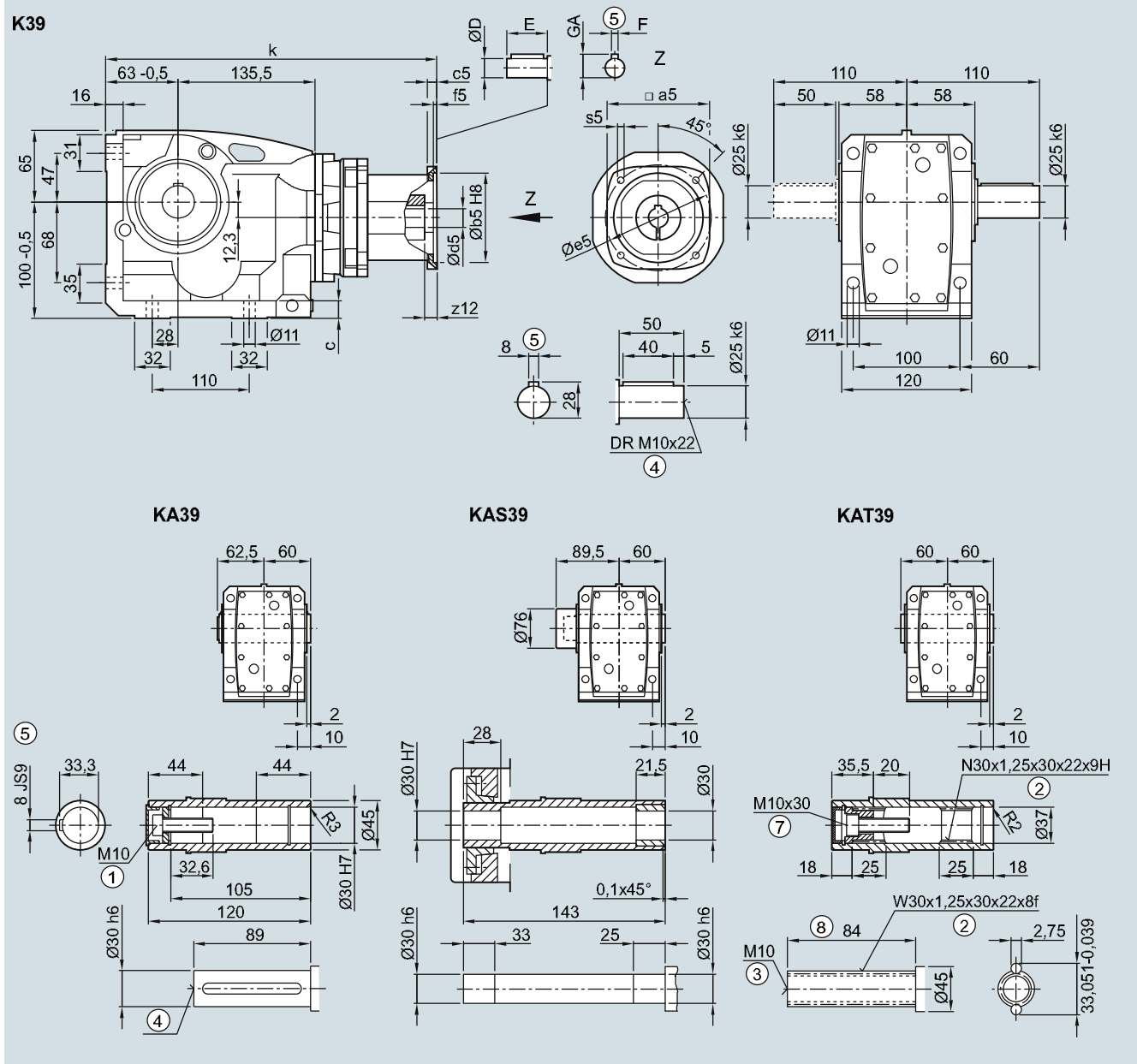
SIMOGEAR Gearboxes

Bevel gearbox with adapter KQ

Dimensions

K.39 gearbox in a foot-mounted design

K030KQ, KA030KQ, KAS030KQ, KAT030KQ



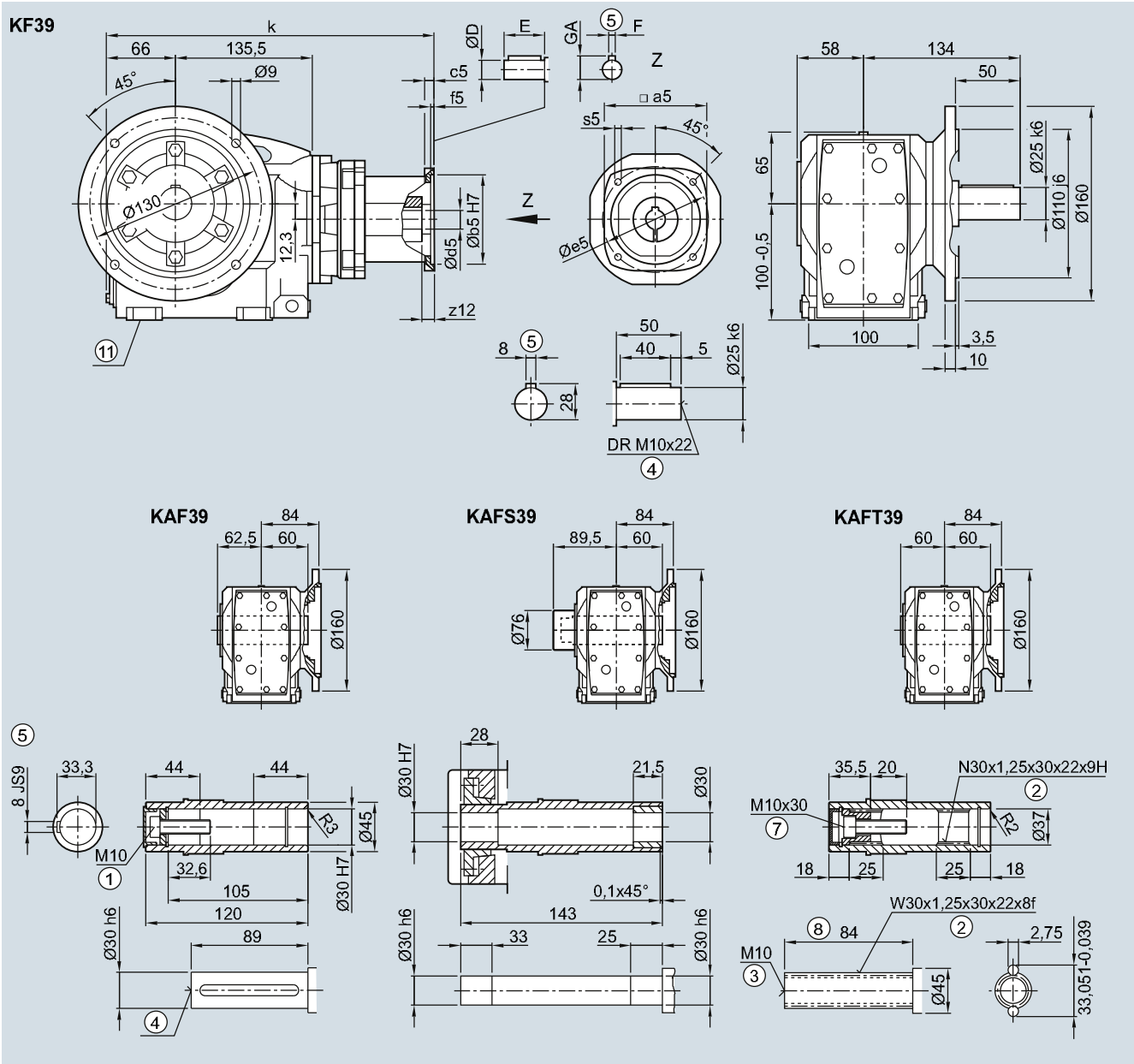
Adapter	a5	b5	c5	f5	e5	s5	z12	d5/D	E	F	GA	k
703	71.6	60	9	4.0	75	M5	18.0	14	30	5	16.0	297.5
704	96.5	80	10	4.0	100	M6	14.0	19	40	6	21.5	344.5
706	126.0	110	12	4.5	130	M8	15.0	24	50	8	27.0	357.5
708	155.0	130	15	4.5	165	M10	23.5	32	58	10	35.0	401.0

① ISO 4014 ② DIN 5480 ③ DIN 332-D ④ DIN 332 ⑤ Feather key/keyway DIN 6885 ⑦ ISO 4762 ⑧ Without locating shoulder +1 mm



K.F.39 gearbox in a flange-mounted design

KF030KQ, KAF030KQ, KAFS030KQ, KAFT030KQ



Adapter	a5	b5	c5	f5	e5	s5	z12	d5/D	E	F	GA	k
703	71.6	60	9	4.0	75	M5	18.0	14	30	5	16.0	300.5
704	96.5	80	10	4.0	100	M6	14.0	19	40	6	21.5	347.5
706	126.0	110	12	4.5	130	M8	15.0	24	50	8	27.0	360.5
708	155.0	130	15	4.5	165	M10	23.5	32	58	10	35.0	404.0

- ① ISO 4014
- ② DIN 5480
- ③ DIN 332-D
- ④ DIN 332
- ⑤ Feather key/keyway DIN 6885
- ⑦ ISO 4762
- ⑧ Without locating shoulder +1 mm
- ⑨ Use bores only for foot-mounted design

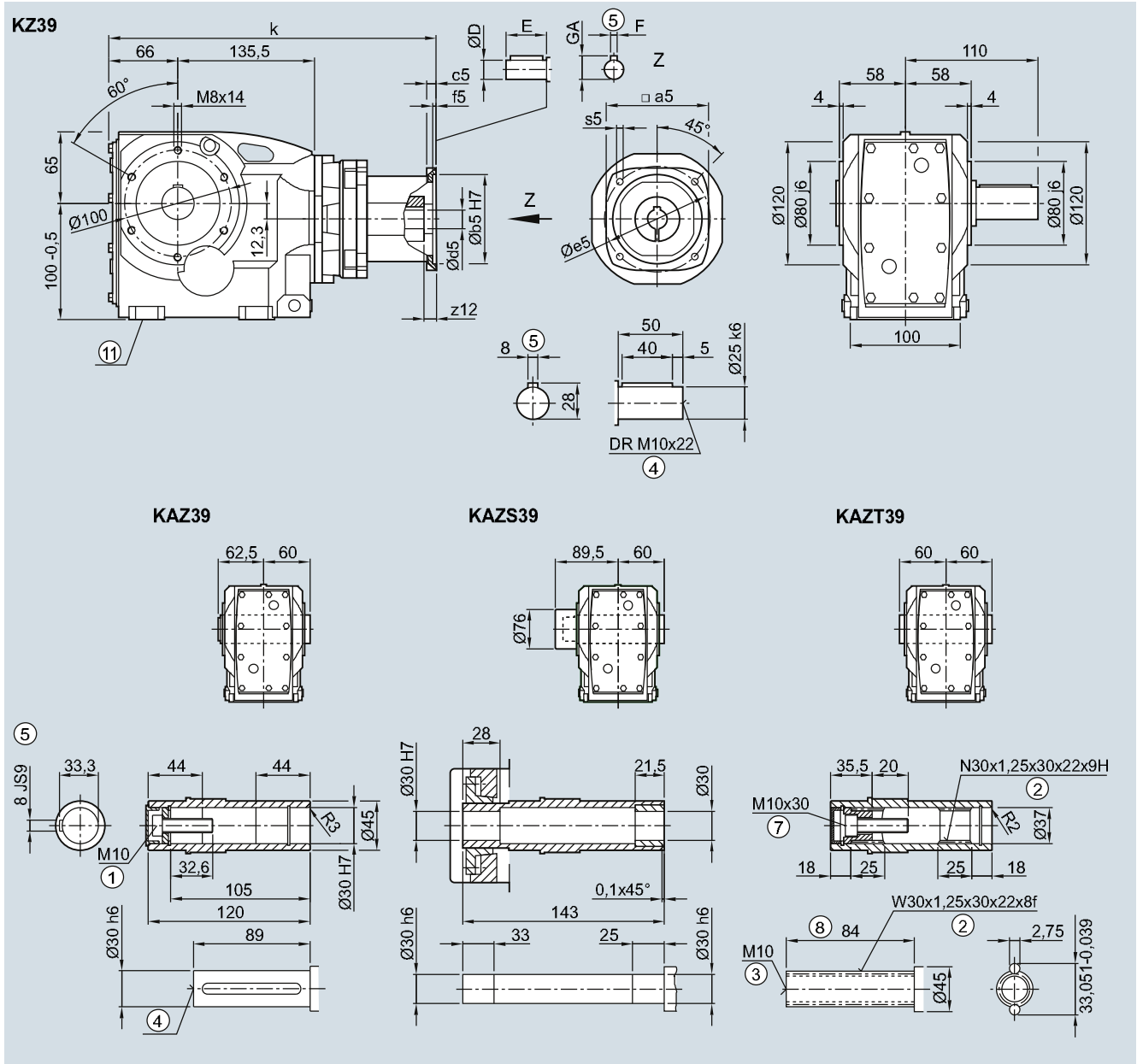
SIMOGEAR Gearboxes

Bevel gearbox with adapter KQ

Dimensions

K.Z.39 gearbox in a housing flange design

KZ030KQ, KAZ030KQ, KAZS030KQ, KAZT030KQ



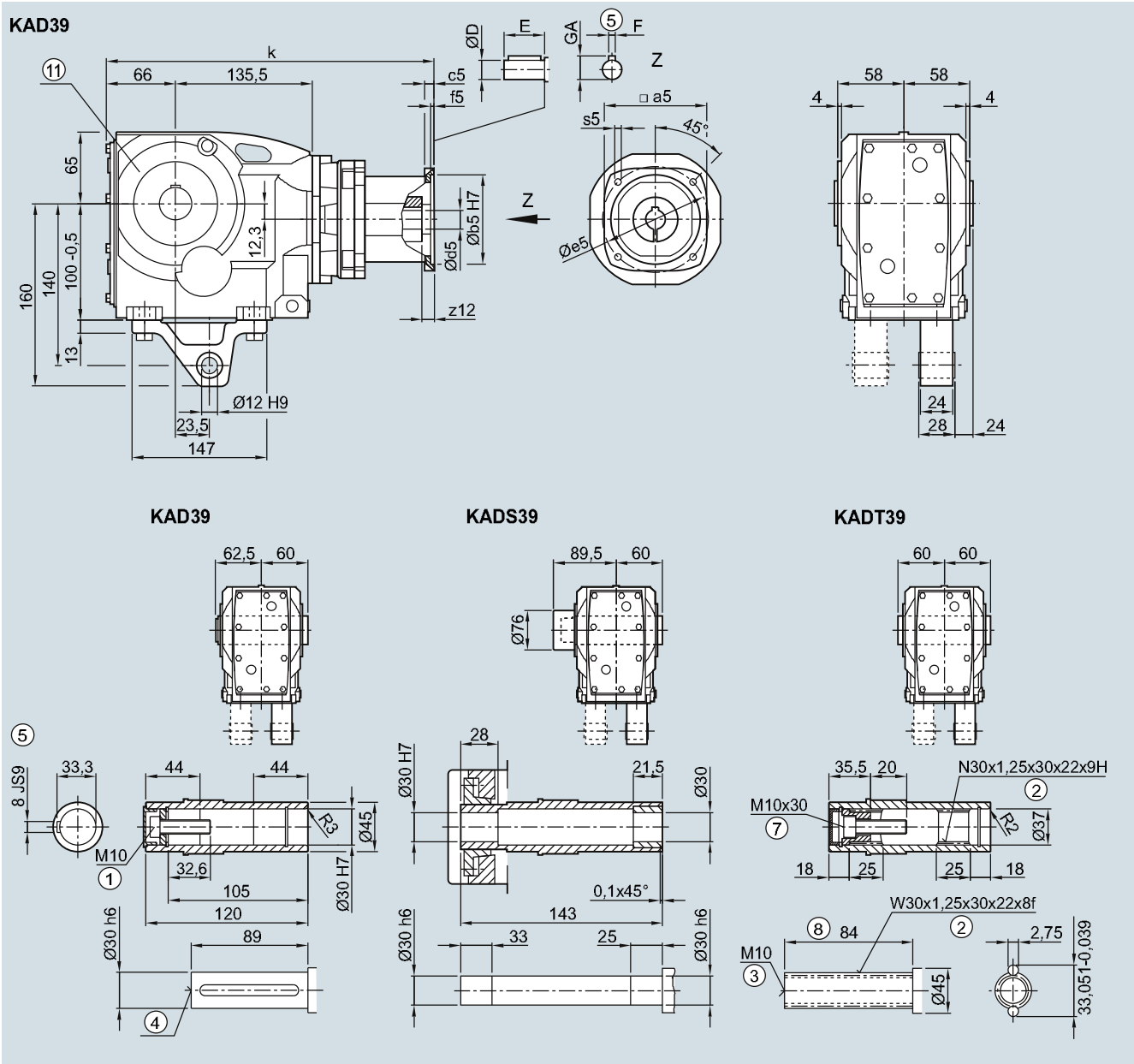
Adapter	a5	b5	c5	f5	e5	s5	z12	d5/D	E	F	GA	k
703	71.6	60	9	4.0	75	M5	18.0	14	30	5	16.0	300.5
704	96.5	80	10	4.0	100	M6	14.0	19	40	6	21.5	347.5
706	126.0	110	12	4.5	130	M8	15.0	24	50	8	27.0	360.5
708	155.0	130	15	4.5	165	M10	23.5	32	58	10	35.0	404.0

- ① ISO 4014 ② DIN 5480 ③ DIN 332-D ④ DIN 332 ⑤ Feather key/keyway DIN 6885
- ⑦ ISO 4762 ⑧ Without locating shoulder +1 mm ⑥ Use bores only for foot-mounted design



KAD.39 gearbox in a shaft-mounted design

KAD030KQ, KADS030KQ, KADT030KQ

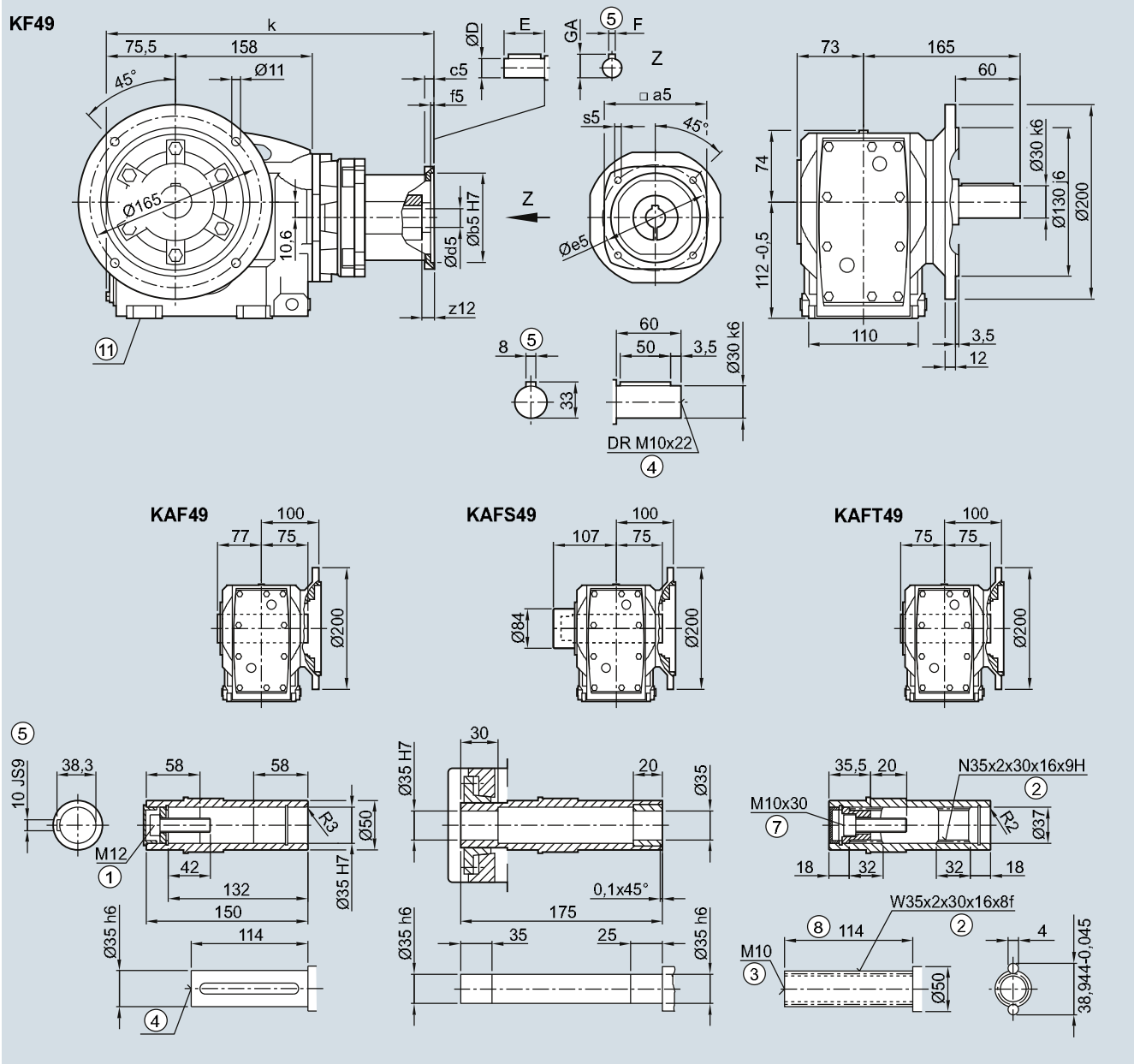


Adapter	a5	b5	c5	f5	e5	s5	z12	d5/D	E	F	GA	k
703	71.6	60	9	4.0	75	M5	18.0	14	30	5	16.0	300.5
704	96.5	80	10	4.0	100	M6	14.0	19	40	6	21.5	347.5
706	126.0	110	12	4.5	130	M8	15.0	24	50	8	27.0	360.5
708	155.0	130	15	4.5	165	M10	23.5	32	58	10	35.0	404.0

- ① ISO 4014 ② DIN 5480 ③ DIN 332-D ④ DIN 332 ⑤ Feather key/keyway DIN 6885
- ⑦ ISO 4762 ⑧ Without locating shoulder +1 mm ⑨ Use bores only for housing flange design

K.F.49 gearbox in a flange-mounted design

KF030KQ, KAF030KQ, KAFS030KQ, KAFT030KQ



Adapter	a5	b5	c5	f5	e5	s5	z12	d5/D	E	F	GA	k
703	71.6	60	9	4.0	75	M5	18.0	14	30	5	16.0	323.5
704	96.5	80	10	4.0	100	M6	14.0	19	40	6	21.5	370.5
706	126.0	110	12	4.5	130	M8	15.0	24	50	8	27.0	383.5
708	155.0	130	15	4.5	165	M10	23.5	32	58	10	35.0	427.0
710	192.5	180	15	5.0	215	M12	33.0	38	80	10	41.0	496.0

① ISO 4014 ② DIN 5480 ③ DIN 332-D ④ DIN 332 ⑤ Feather key/keyway DIN 6885
 ⑦ ISO 4762 ⑧ Without locating shoulder +1 mm ⑨ Use bores only for foot-mounted design

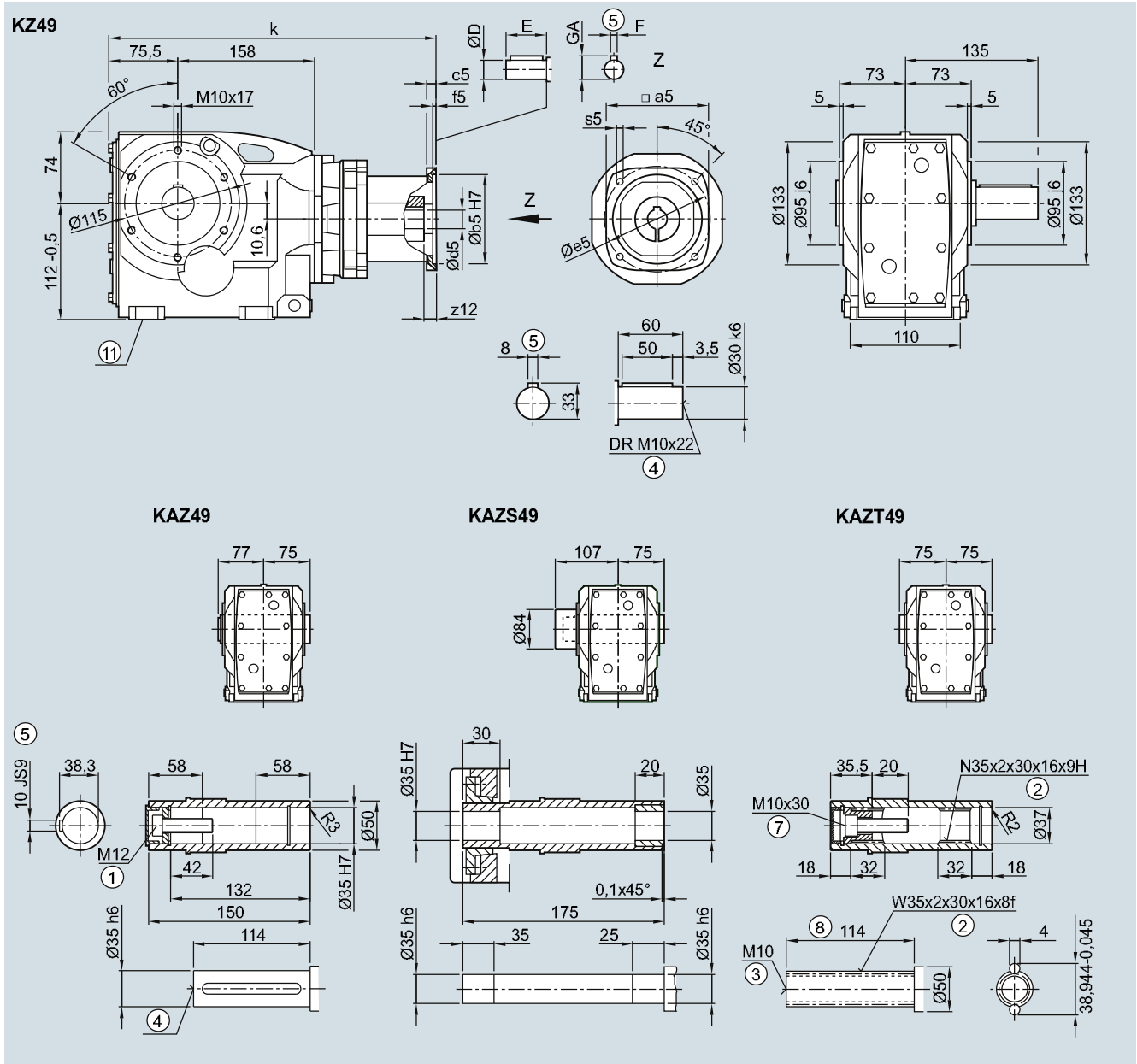
SIMOGEAR Gearboxes

Bevel gearbox with adapter KQ

Dimensions

K.Z.49 in a housing flange design

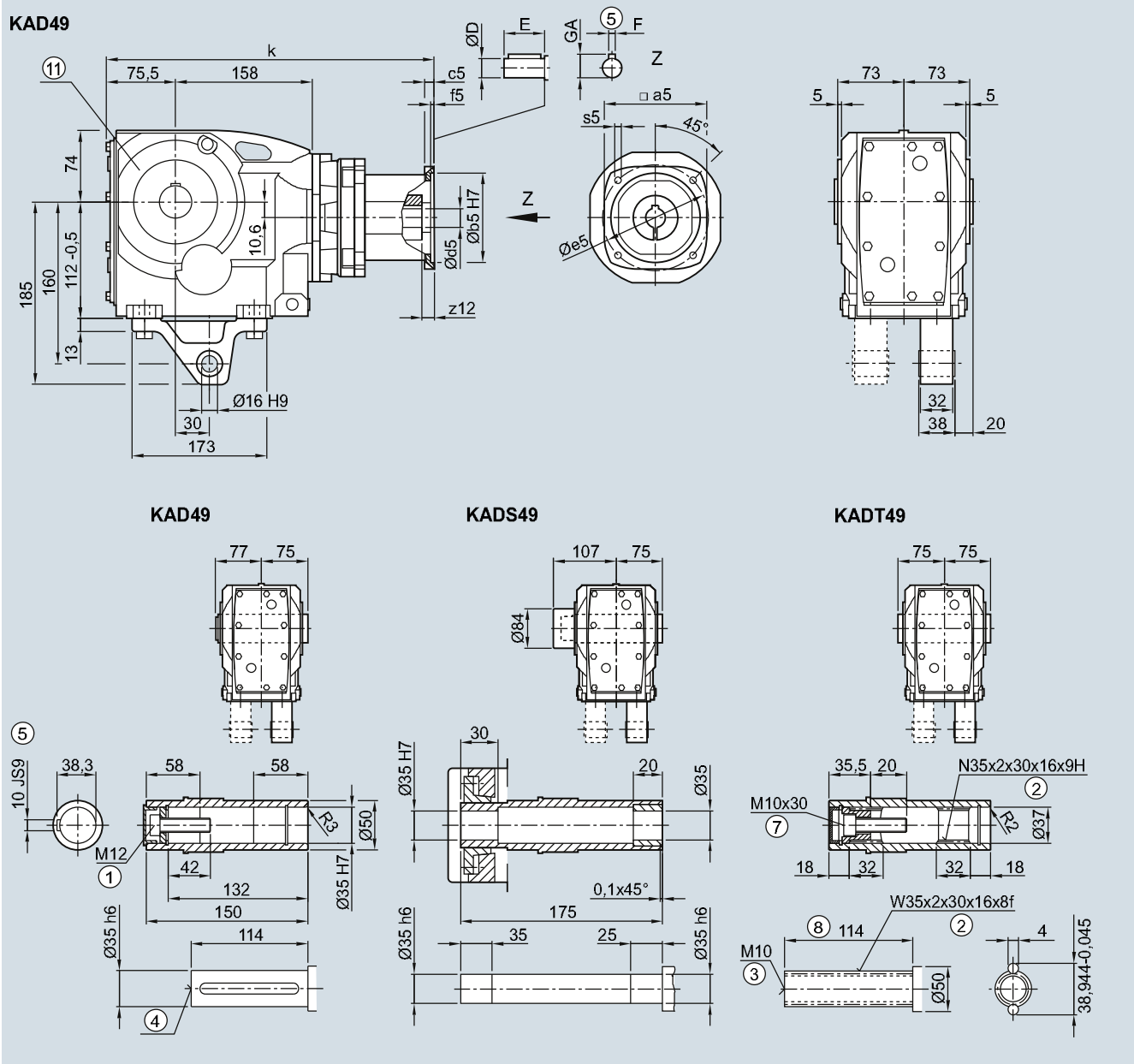
KZ030KQ, KAZ030KQ, KAZS030KQ, KAZT030KQ



Adapter	a5	b5	c5	f5	e5	s5	z12	d5/D	E	F	GA	k
703	71.6	60	9	4.0	75	M5	18.0	14	30	5	16.0	323.5
704	96.5	80	10	4.0	100	M6	14.0	19	40	6	21.5	370.5
706	126.0	110	12	4.5	130	M8	15.0	24	50	8	27.0	383.5
708	155.0	130	15	4.5	165	M10	23.5	32	58	10	35.0	427.0
710	192.5	180	15	5.0	215	M12	33.0	38	80	10	41.0	496.0

KAD.49 gearbox in a shaft-mounted design

KAD030KQ, KADS030KQ, KADT030KQ

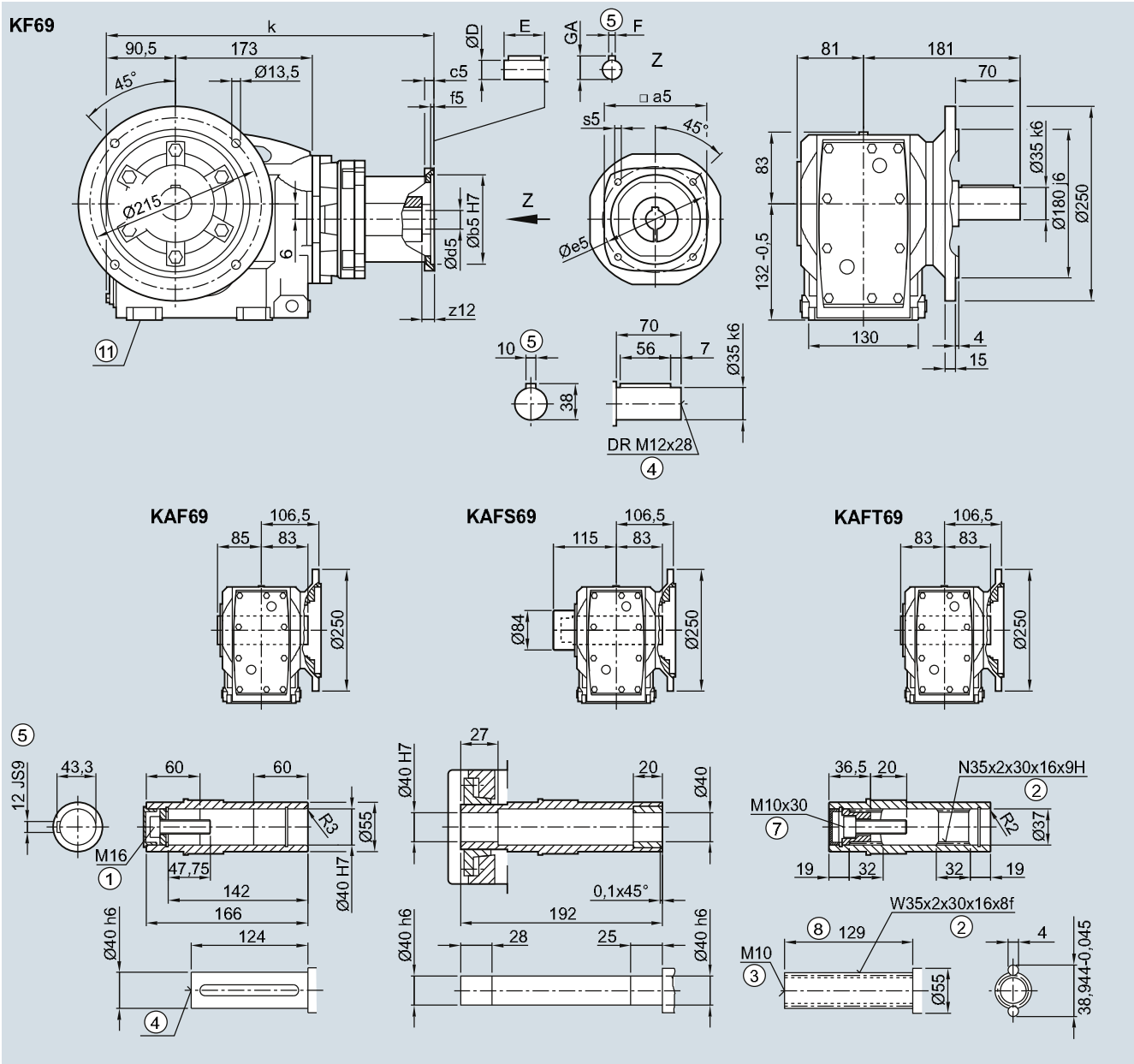


Adapter	a5	b5	c5	f5	e5	s5	z12	d5/D	E	F	GA	k
703	71.6	60	9	4.0	75	M5	18.0	14	30	5	16.0	323.5
704	96.5	80	10	4.0	100	M6	14.0	19	40	6	21.5	370.5
706	126.0	110	12	4.5	130	M8	15.0	24	50	8	27.0	383.5
708	155.0	130	15	4.5	165	M10	23.5	32	58	10	35.0	427.0
710	192.5	180	15	5.0	215	M12	33.0	38	80	10	41.0	496.0

- ① ISO 4014 ② DIN 5480 ③ DIN 332-D ④ DIN 332 ⑤ Feather key/keyway DIN 6885
- ⑦ ISO 4762 ⑧ Without locating shoulder +1 mm ⑨ Use bores only for housing flange design

K.F.69 gearbox in a flange-mounted design

KF030KQ, KAF030KQ, KAFS030KQ, KAFT030KQ



Adapter	a5	b5	c5	f5	e5	s5	z12	d5/D	E	F	GA	k
703	71.6	60	9	4.0	75	M5	18.0	14	30	5	16.0	353.5
704	96.5	80	10	4.0	100	M6	14.0	19	40	6	21.5	400.5
706	126.0	110	12	4.5	130	M8	15.0	24	50	8	27.0	413.5
708	155.0	130	15	4.5	165	M10	23.5	32	58	10	35.0	457.0
710	192.5	180	15	5.0	215	M12	33.0	38	80	10	41.0	526.0

① ISO 4014 ② DIN 5480 ③ DIN 332-D ④ DIN 332 ⑤ Feather key/keyway DIN 6885
 ⑦ ISO 4762 ⑧ Without locating shoulder +1 mm ⑨ Use bores only for foot-mounted design

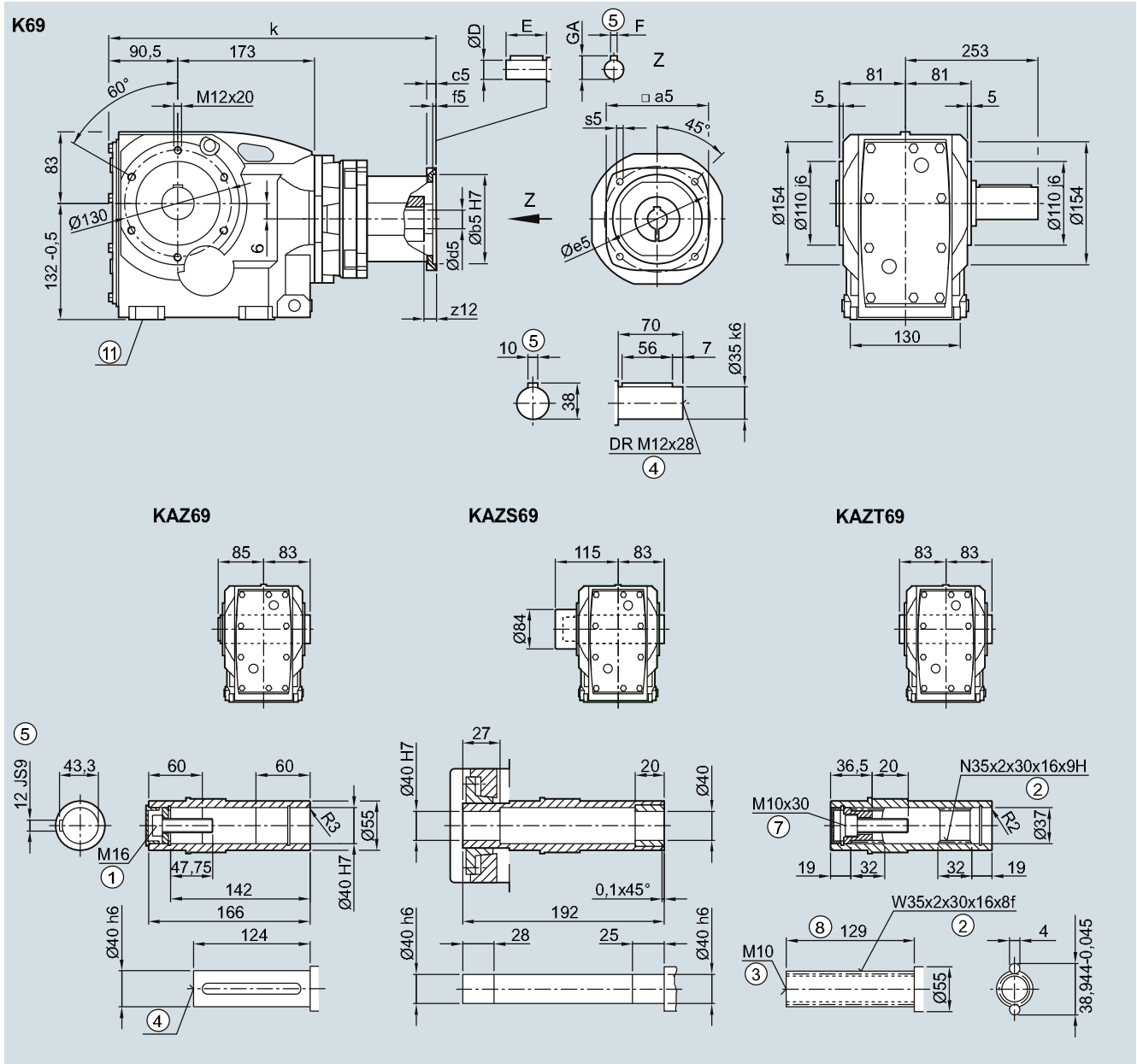
SIMOGEAR Gearboxes

Bevel gearbox with adapter KQ

Dimensions

K.Z.69 gearbox in a housing flange design

KZ030KQ, KAZ030KQ, KAZS030KQ, KAZT030KQ



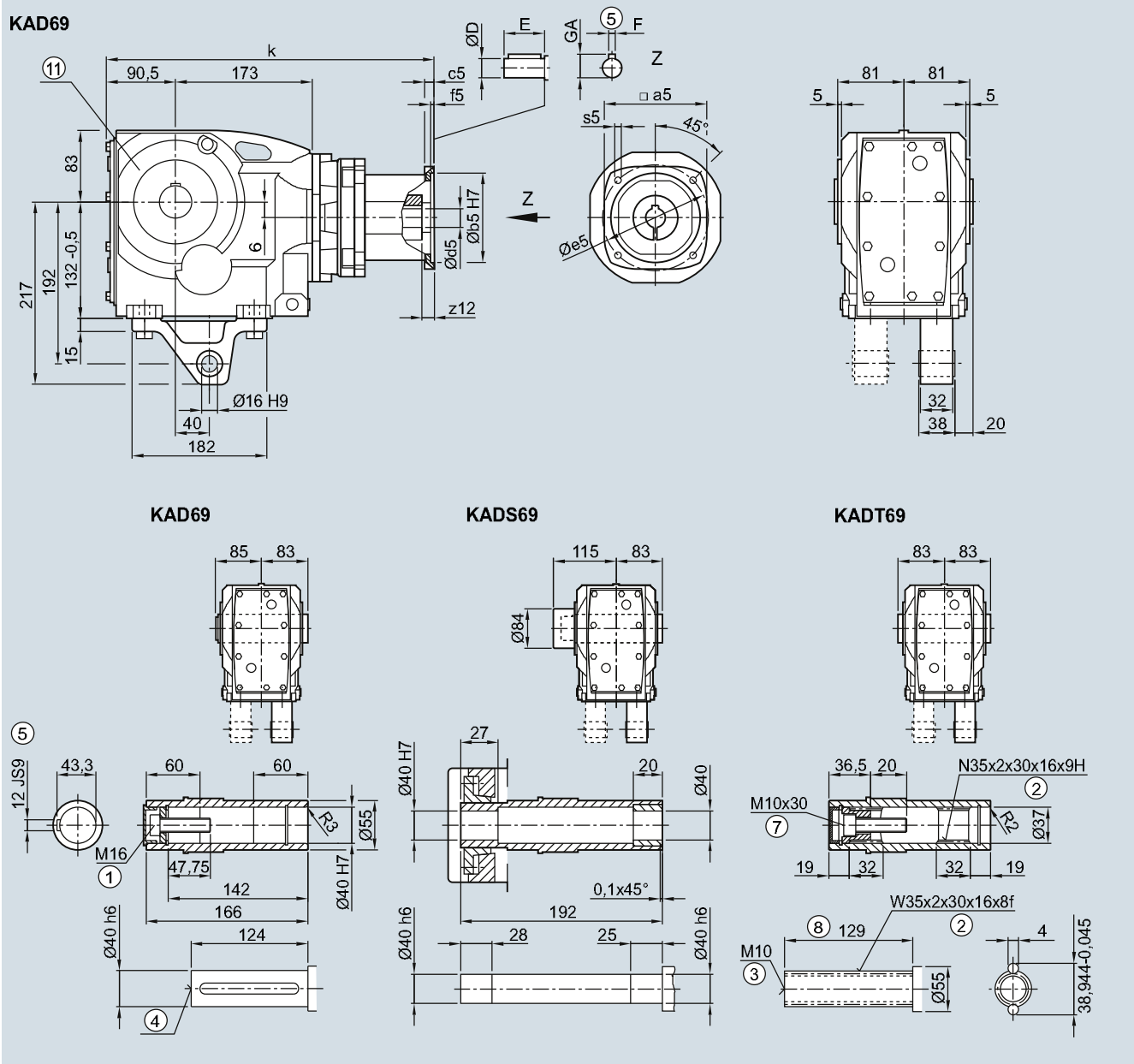
Adapter	a5	b5	c5	f5	e5	s5	z12	d5/D	E	F	GA	k
703	71.6	60	9	4.0	75	M5	18.0	14	30	5	16.0	353.5
704	96.5	80	10	4.0	100	M6	14.0	19	40	6	21.5	400.5
706	126.0	110	12	4.5	130	M8	15.0	24	50	8	27.0	413.5
708	155.0	130	15	4.5	165	M10	23.5	32	58	10	35.0	457.0
710	192.5	180	15	5.0	215	M12	33.0	38	80	10	41.0	526.0

- ① ISO 4014 ② DIN 5480 ③ DIN 332-D ④ DIN 332 ⑤ Feather key/keyway DIN 6885
- ⑦ ISO 4762 ⑧ Without locating shoulder +1 mm ⑩ Use bores only for foot-mounted design



KAD.69 gearbox in a shaft-mounted design

KAD030KQ, KADS030KQ, KADT030KQ

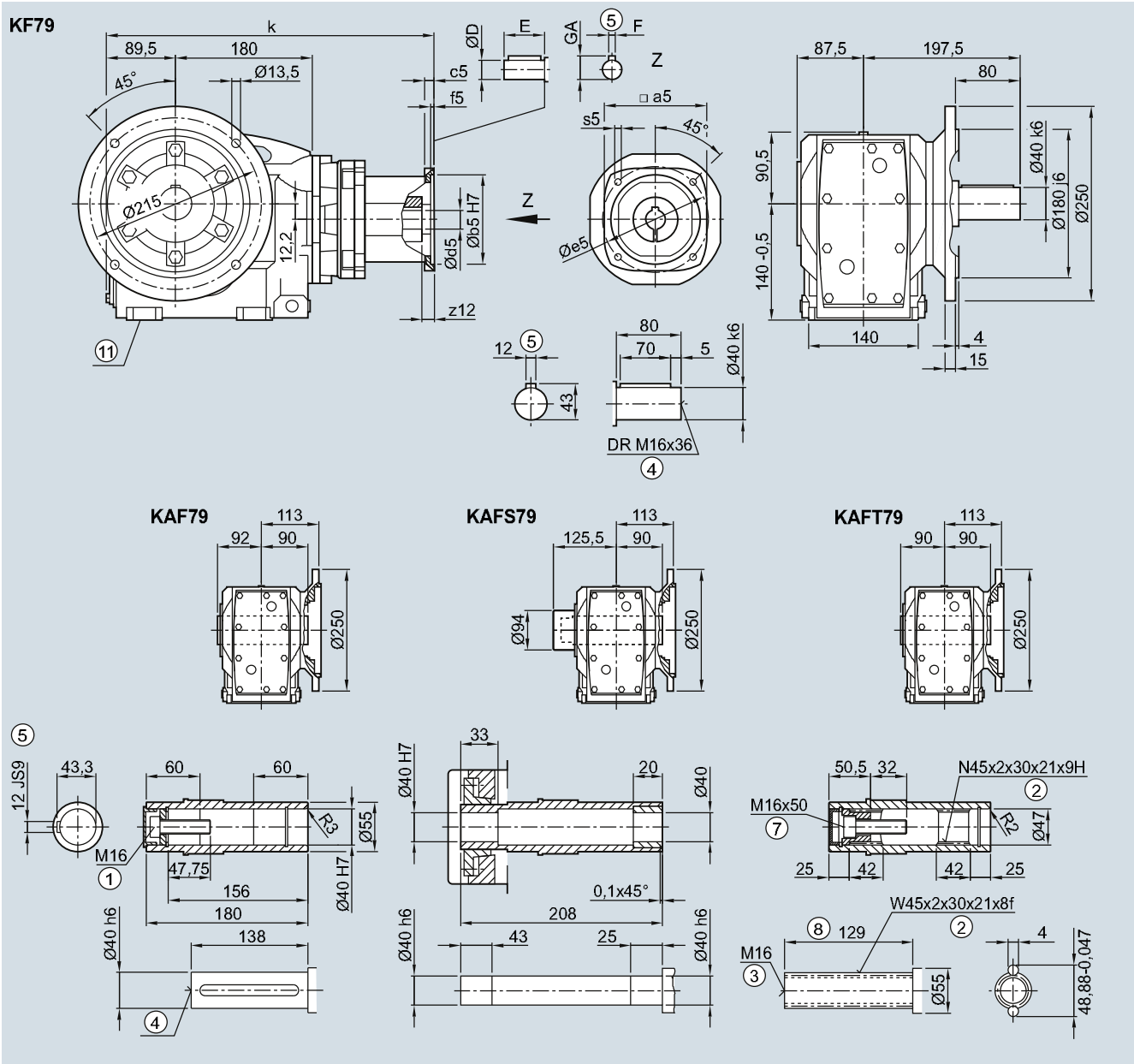


Adapter	a5	b5	c5	f5	e5	s5	z12	d5/D	E	F	GA	k
703	71.6	60	9	4.0	75	M5	18.0	14	30	5	16.0	353.5
704	96.5	80	10	4.0	100	M6	14.0	19	40	6	21.5	400.5
706	126.0	110	12	4.5	130	M8	15.0	24	50	8	27.0	413.5
708	155.0	130	15	4.5	165	M10	23.5	32	58	10	35.0	457.0
710	192.5	180	15	5.0	215	M12	33.0	38	80	10	41.0	526.0

- ① ISO 4014
- ② DIN 5480
- ③ DIN 332-D
- ④ DIN 332
- ⑤ Feather key/keyway DIN 6885
- ⑦ ISO 4762
- ⑧ Without locating shoulder +1 mm
- ⑩ Use bores only for housing flange design

K.F.79 gearbox in a flange-mounted design

KF030KQ, KAF030KQ, KAFS030KQ, KAFT030KQ



Adapter	a5	b5	c5	f5	e5	s5	z12	d5/D	E	F	GA	k
703	71.6	60	9	4.0	75	M5	18.0	14	30	5	16.0	359.5
704	96.5	80	10	4.0	100	M6	14.0	19	40	6	21.5	406.5
706	126.0	110	12	4.5	130	M8	15.0	24	50	8	27.0	419.5
708	155.0	130	15	4.5	165	M10	23.5	32	58	10	35.0	463.0
710	192.5	180	15	5.0	215	M12	33.0	38	80	10	41.0	532.0

① ISO 4014 ② DIN 5480 ③ DIN 332-D ④ DIN 332 ⑤ Feather key/keyway DIN 6885
 ⑦ ISO 4762 ⑧ Without locating shoulder +1 mm ⑨ Use bores only for foot-mounted design

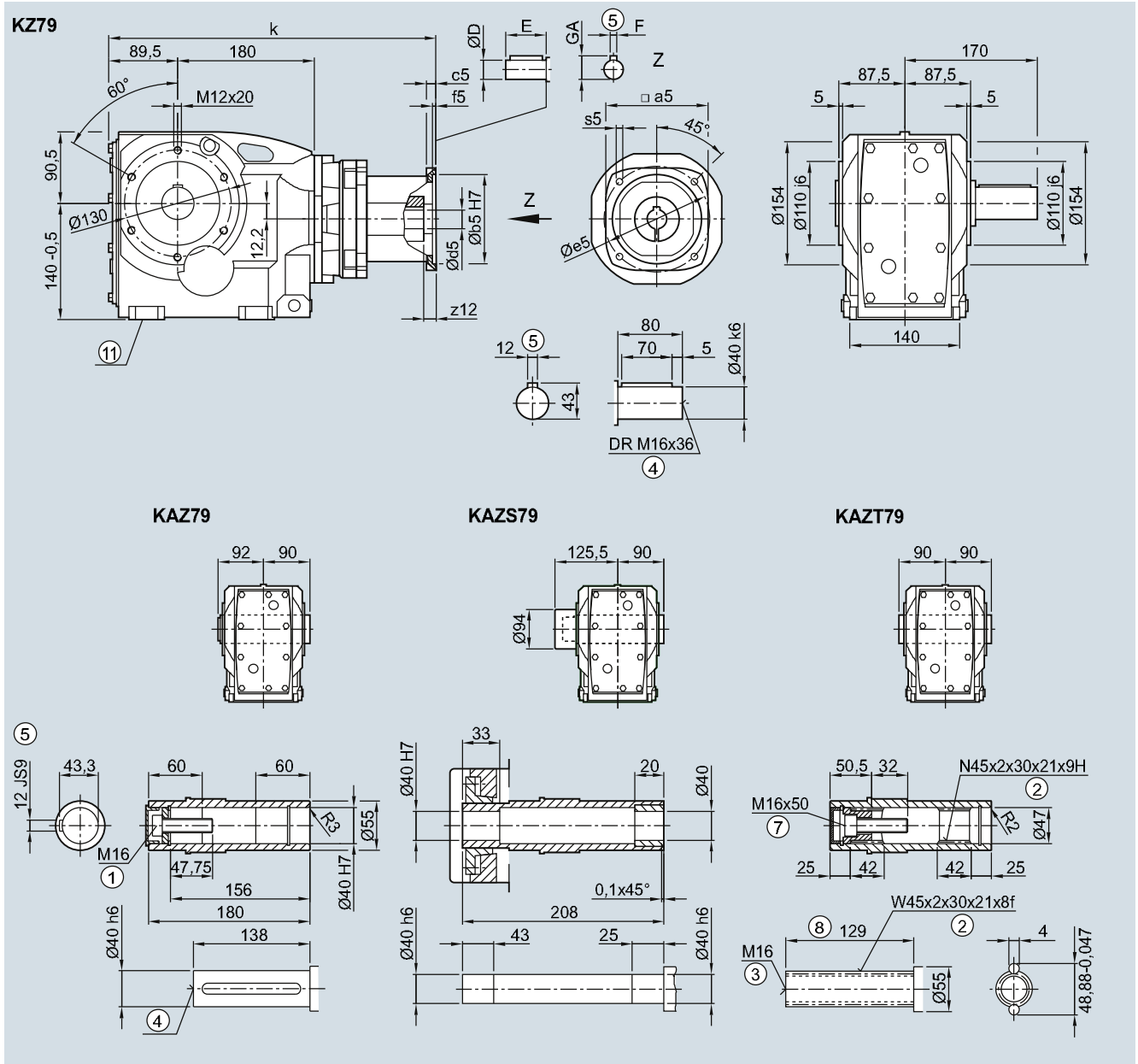
SIMOGEAR Gearboxes

Bevel gearbox with adapter KQ

Dimensions

K.Z.79 gearbox in a housing flange design

KZ030KQ, KAZ030KQ, KAZS030KQ, KAZT030KQ



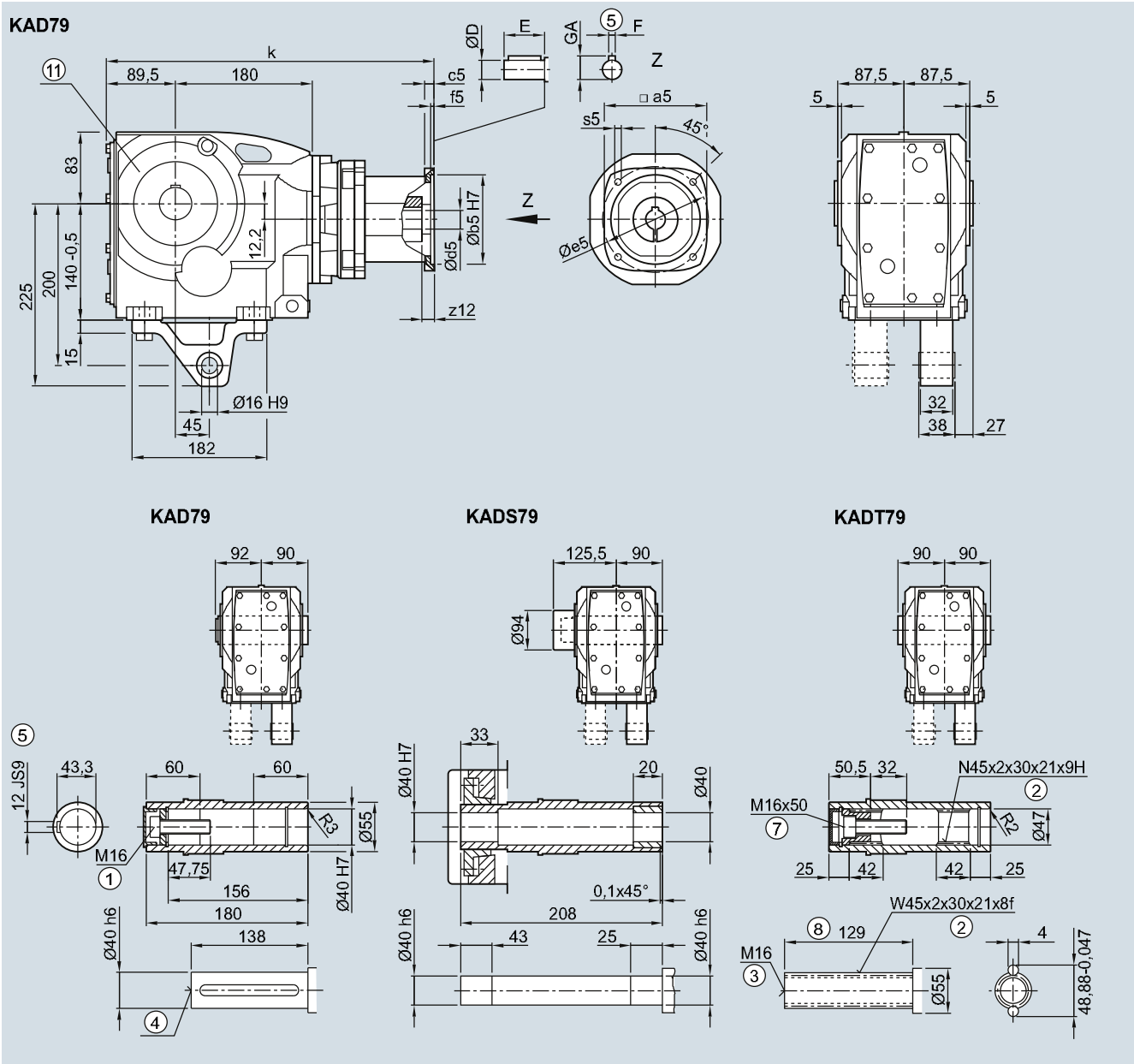
Adapter	a5	b5	c5	f5	e5	s5	z12	d5/D	E	F	GA	k
703	71.6	60	9	4.0	75	M5	18.0	14	30	5	16.0	359.5
704	96.5	80	10	4.0	100	M6	14.0	19	40	6	21.5	406.5
706	126.0	110	12	4.5	130	M8	15.0	24	50	8	27.0	419.5
708	155.0	130	15	4.5	165	M10	23.5	32	58	10	35.0	463.0
710	192.5	180	15	5.0	215	M12	33.0	38	80	10	41.0	532.0

- ① ISO 4014 ② DIN 5480 ③ DIN 332-D ④ DIN 332 ⑤ Feather key/keyway DIN 6885
- ⑦ ISO 4762 ⑧ Without locating shoulder +1 mm ⑩ Use bores only for foot-mounted design



KAD.79 gearbox in a shaft-mounted design

KAD030KQ, KADS030KQ, KADT030KQ



Adapter	a5	b5	c5	f5	e5	s5	z12	d5/D	E	F	GA	k
703	71.6	60	9	4.0	75	M5	18.0	14	30	5	16.0	359.5
704	96.5	80	10	4.0	100	M6	14.0	19	40	6	21.5	406.5
706	126.0	110	12	4.5	130	M8	15.0	24	50	8	27.0	419.5
708	155.0	130	15	4.5	165	M10	23.5	32	58	10	35.0	463.0
710	192.5	180	15	5.0	215	M12	33.0	38	80	10	41.0	532.0

- ① ISO 4014
- ② DIN 5480
- ③ DIN 332-D
- ④ DIN 332
- ⑤ Feather key/keyway DIN 6885
- ⑦ ISO 4762
- ⑧ Without locating shoulder +1 mm
- ⑩ Use bores only for housing flange design

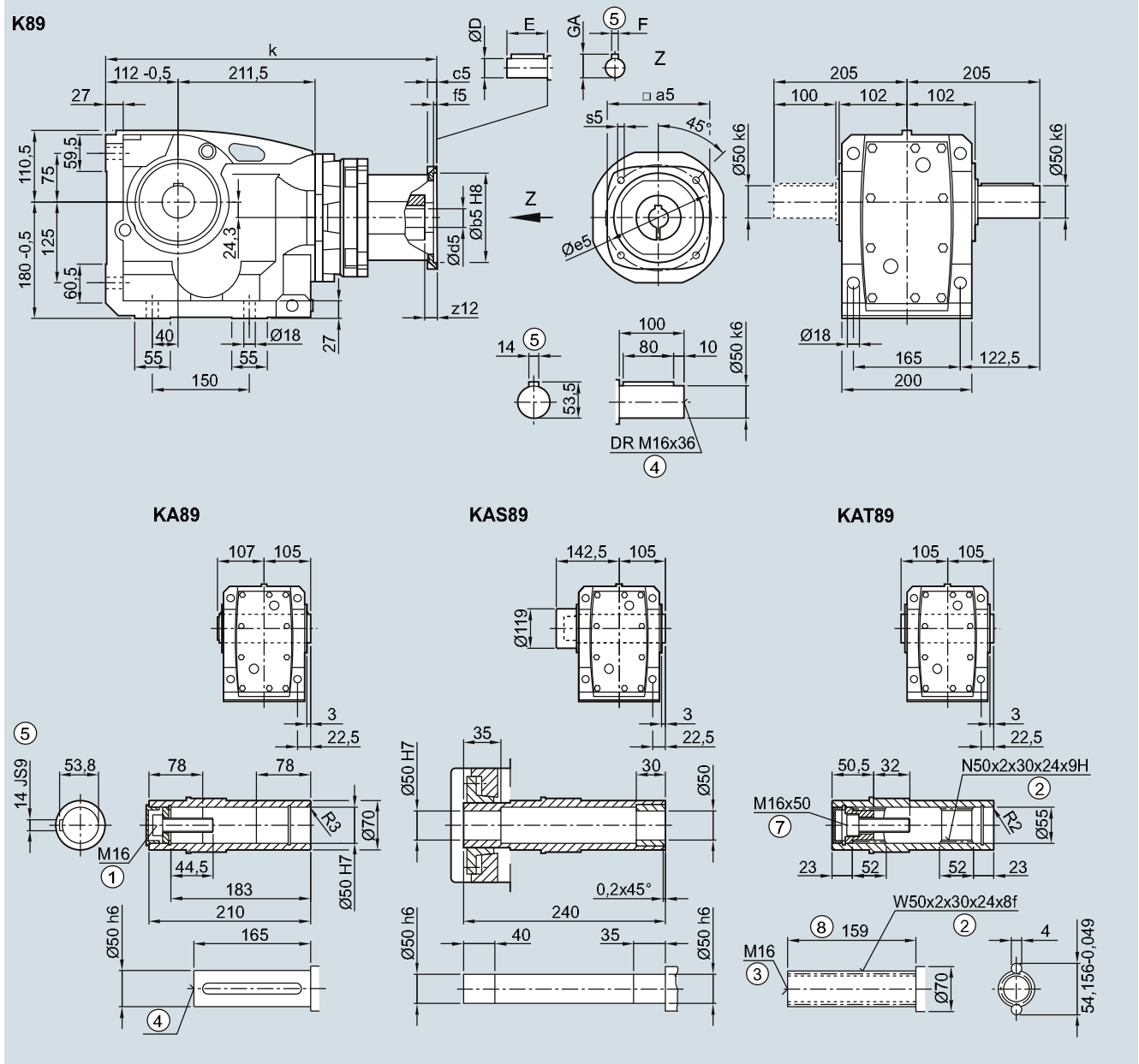
SIMOGEAR Gearboxes

Bevel gearbox with adapter KQ

Dimensions

K.89 gearbox in a foot-mounted design

K030KQ, KA030KQ, KAS030KQ, KAT030KQ



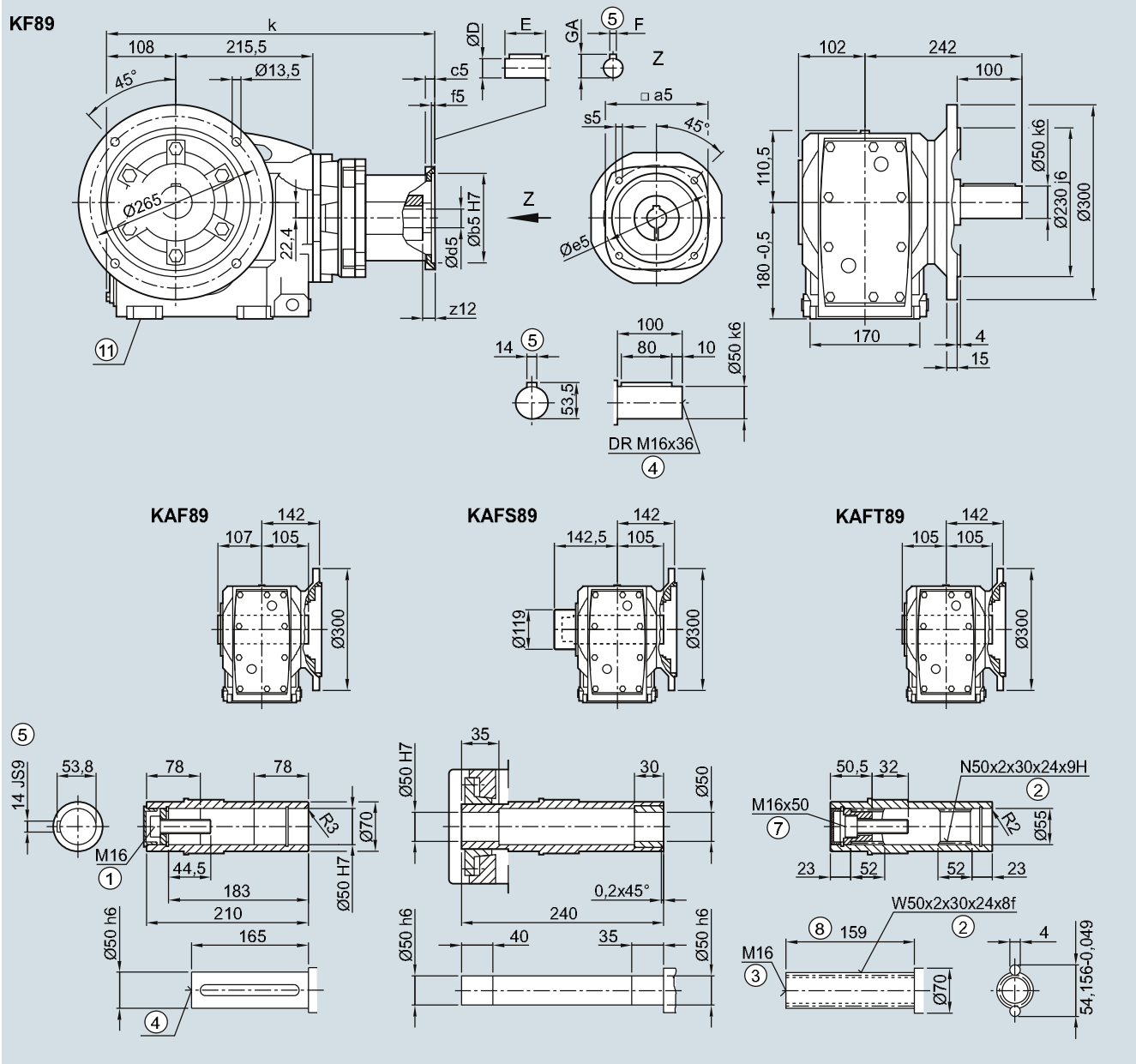
Adapter	a5	b5	c5	f5	e5	s5	z12	d5/D	E	F	GA	k
703	71.6	60	9	4.0	75	M5	18.0	14	30	5	16.0	411.5
704	96.5	80	10	4.0	100	M6	14.0	19	40	6	21.5	454.5
706	126.0	110	12	4.5	130	M8	15.0	24	50	8	27.0	467.5
708	155.0	130	15	4.5	165	M10	23.5	32	58	10	35.0	511.0
710	192.5	180	15	5.0	215	M12	33.0	38	80	10	41.0	580.0

① ISO 4014 ② DIN 5480 ③ DIN 332-D ④ DIN 332 ⑤ Feather key/keyway DIN 6885 ⑦ ISO 4762 ⑧ Without locating shoulder +1 mm



K.F.89 gearbox in a flange-mounted design

KF030KQ, KAF030KQ, KAFS030KQ, KAFT030KQ



Adapter	a5	b5	c5	f5	e5	s5	z12	d5/D	E	F	GA	k
703	71.6	60	9	4.0	75	M5	18.0	14	30	5	16.0	411.5
704	96.5	80	10	4.0	100	M6	14.0	19	40	6	21.5	454.5
706	126.0	110	12	4.5	130	M8	15.0	24	50	8	27.0	467.5
708	155.0	130	15	4.5	165	M10	23.5	32	58	10	35.0	511.0
710	192.5	180	15	5.0	215	M12	33.0	38	80	10	41.0	580.0

① ISO 4014 ② DIN 5480 ③ DIN 332-D ④ DIN 332 ⑤ Feather key/keyway DIN 6885
 ⑦ ISO 4762 ⑧ Without locating shoulder +1 mm ⑨ Use bores only for foot-mounted design

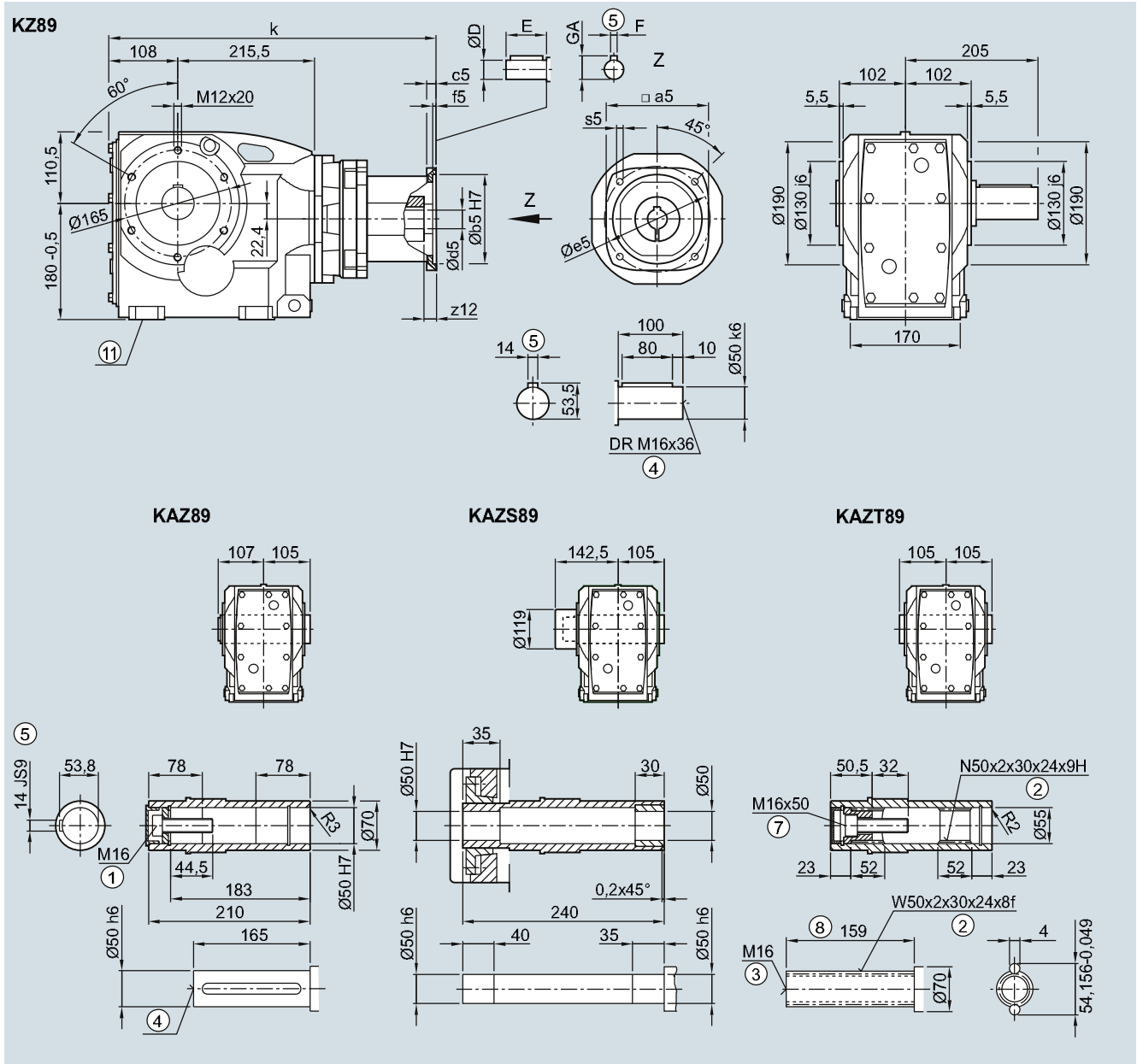
SIMOGEAR Gearboxes

Bevel gearbox with adapter KQ

Dimensions

K.Z.89 gearbox in a housing flange design

KZ030KQ, KAZ030KQ, KAZS030KQ, KAZT030KQ



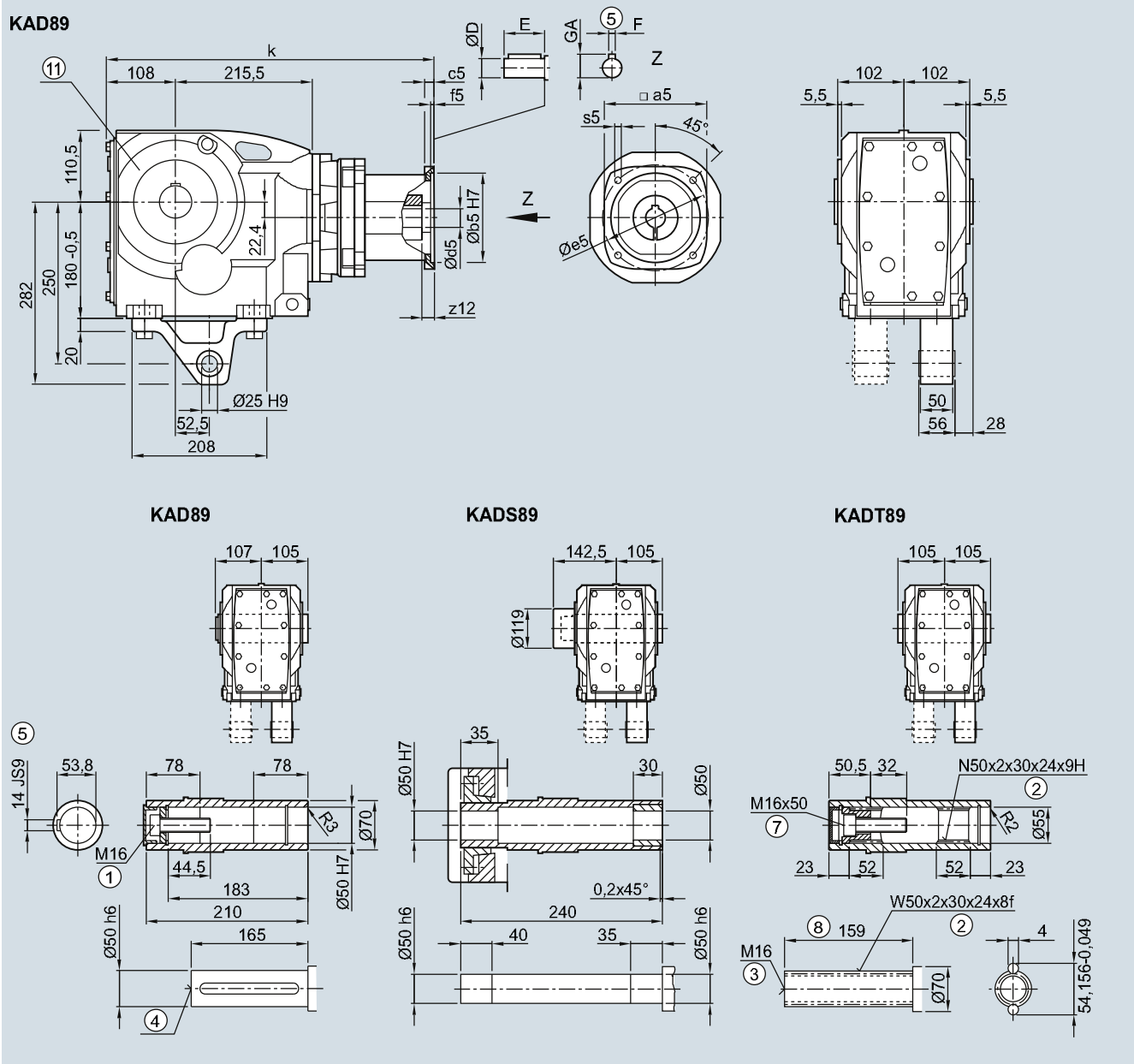
Adapter	a5	b5	c5	f5	e5	s5	z12	d5/D	E	F	GA	k
703	71.6	60	9	4.0	75	M5	18.0	14	30	5	16.0	411.5
704	96.5	80	10	4.0	100	M6	14.0	19	40	6	21.5	454.5
706	126.0	110	12	4.5	130	M8	15.0	24	50	8	27.0	467.5
708	155.0	130	15	4.5	165	M10	23.5	32	58	10	35.0	511.0
710	192.5	180	15	5.0	215	M12	33.0	38	80	10	41.0	580.0

- ① ISO 4014
- ② DIN 5480
- ③ DIN 332-D
- ④ DIN 332
- ⑤ Feather key/keyway DIN 6885
- ⑦ ISO 4762
- ⑧ Without locating shoulder +1 mm
- ⑨ Use bores only for foot-mounted design



KAD.89 gearbox in a shaft-mounted design

KAD030KQ, KADS030KQ, KADT030KQ



Adapter	a5	b5	c5	f5	e5	s5	z12	d5/D	E	F	GA	k
703	71.6	60	9	4.0	75	M5	18.0	14	30	5	16.0	411.5
704	96.5	80	10	4.0	100	M6	14.0	19	40	6	21.5	454.5
706	126.0	110	12	4.5	130	M8	15.0	24	50	8	27.0	467.5
708	155.0	130	15	4.5	165	M10	23.5	32	58	10	35.0	511.0
710	192.5	180	15	5.0	215	M12	33.0	38	80	10	41.0	580.0

- ① ISO 4014
- ② DIN 5480
- ③ DIN 332-D
- ④ DIN 332
- ⑤ Feather key/keyway DIN 6885
- ⑦ ISO 4762
- ⑧ Without locating shoulder +1 mm
- ⑩ Use bores only for housing flange design

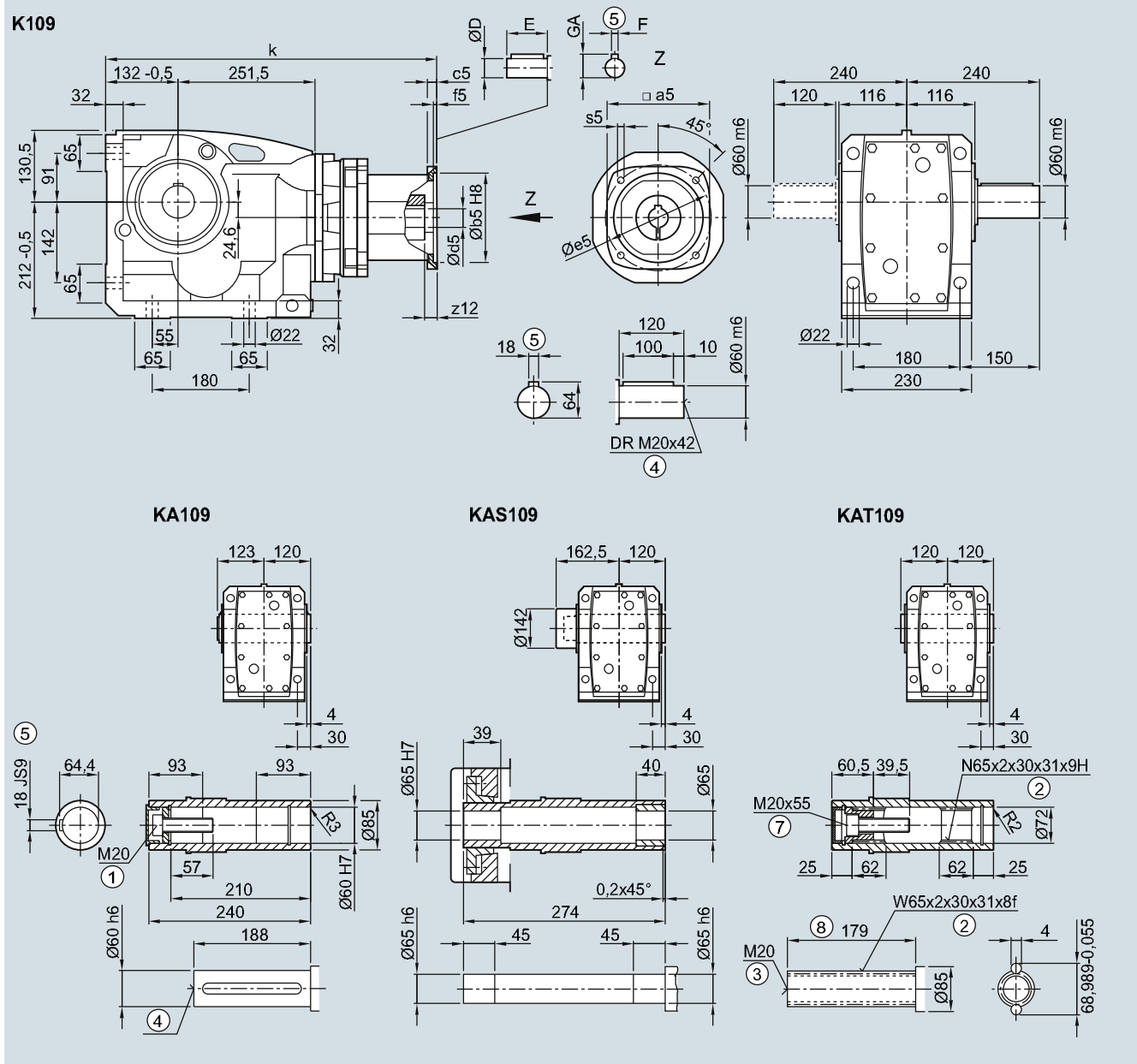
SIMOGEAR Gearboxes

Bevel gearbox with adapter KQ

Dimensions

K.109 gearbox in a foot-mounted design

K030KQ, KA030KQ, KAS030KQ, KAT030KQ

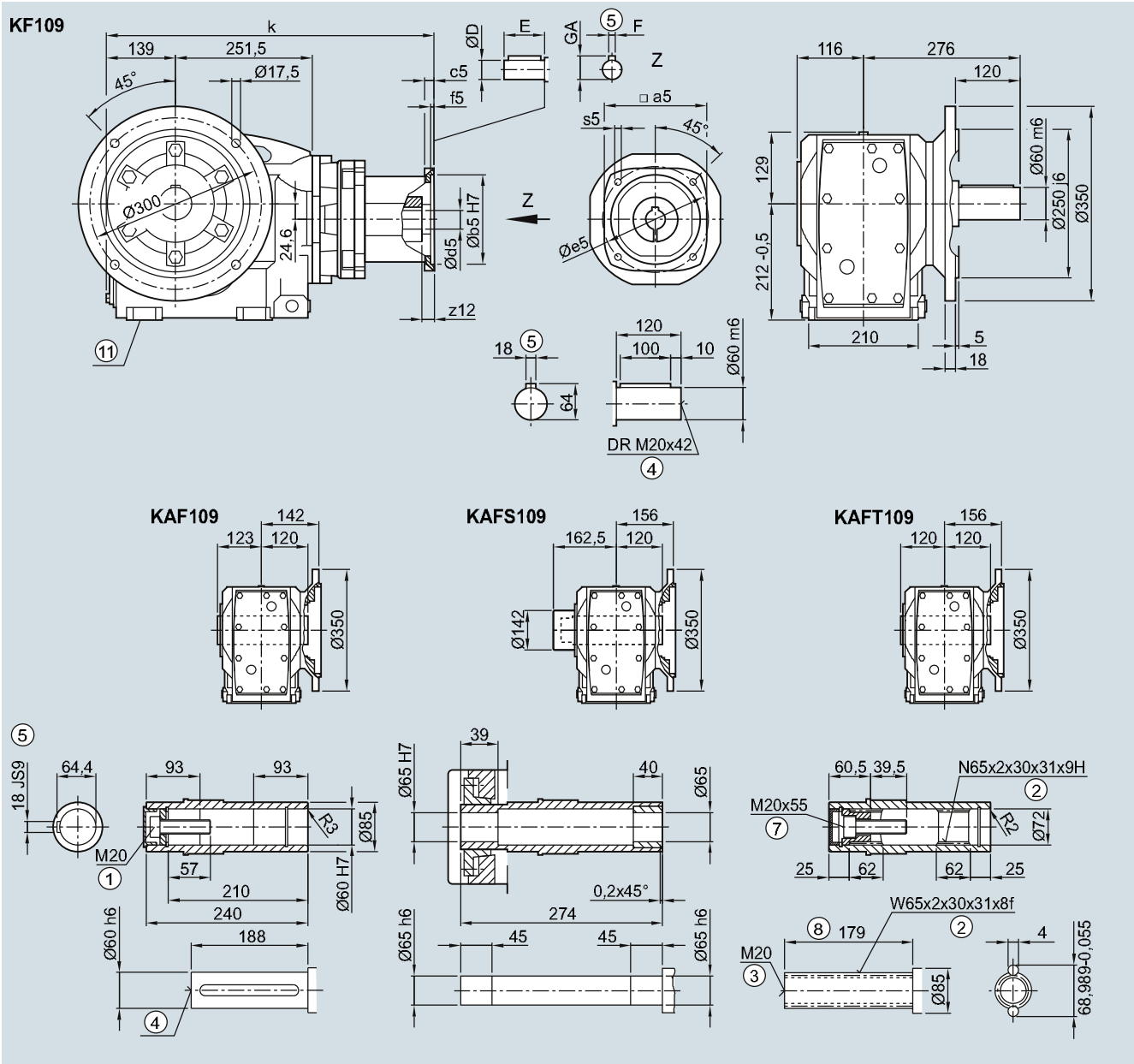


Adapter	a5	b5	c5	f5	e5	s5	z12	d5/D	E	F	GA	k
704	96.5	80	10	4.0	100	M6	14.0	19	40	6	21.5	501.5
706	126.0	110	12	4.5	130	M8	15.0	24	50	8	27.0	514.5
708	155.0	130	15	4.5	165	M10	23.5	32	58	10	35.0	554.0
710	192.5	180	15	5.0	215	M12	33.0	38	80	10	41.0	623.0

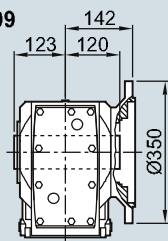
① ISO 4014 ② DIN 5480 ③ DIN 332-D ④ DIN 332 ⑤ Feather key/keyway DIN 6885 ⑦ ISO 4762 ⑧ Without locating shoulder +1 mm

K.F.109 gearbox in a flange-mounted design

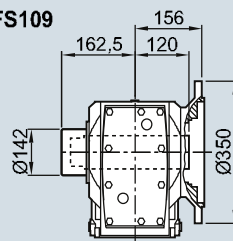
KF030KQ, KAF030KQ, KAFS030KQ, KAFT030KQ



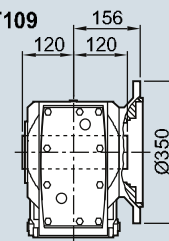
KAF109



KAFS109



KAFT109

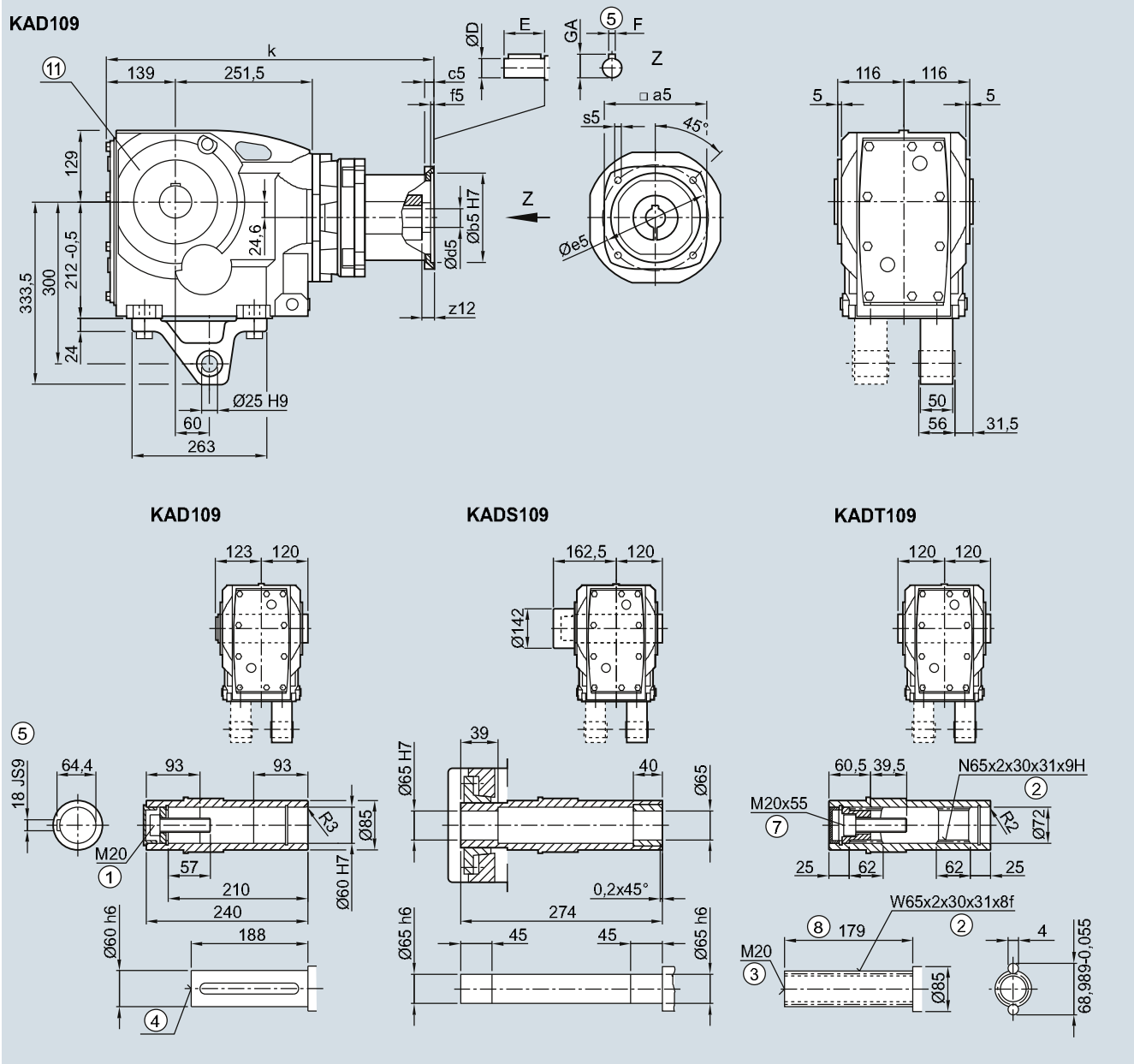


Adapter	a5	b5	c5	f5	e5	s5	z12	d5/D	E	F	GA	k
704	96.5	80	10	4.0	100	M6	14.0	19	40	6	21.5	508.5
706	126.0	110	12	4.5	130	M8	15.0	24	50	8	27.0	521.5
708	155.0	130	15	4.5	165	M10	23.5	32	58	10	35.0	561.0
710	192.5	180	15	5.0	215	M12	33.0	38	80	10	41.0	630.0

- ① ISO 4014
- ② DIN 5480
- ③ DIN 332-D
- ④ DIN 332
- ⑤ Feather key/keyway DIN 6885
- ⑦ ISO 4762
- ⑧ Without locating shoulder +1 mm
- ⑨ Use bores only for foot-mounted design

KAD.109 gearbox in a shaft-mounted design

KAD030KQ, KADS030KQ, KADT030KQ

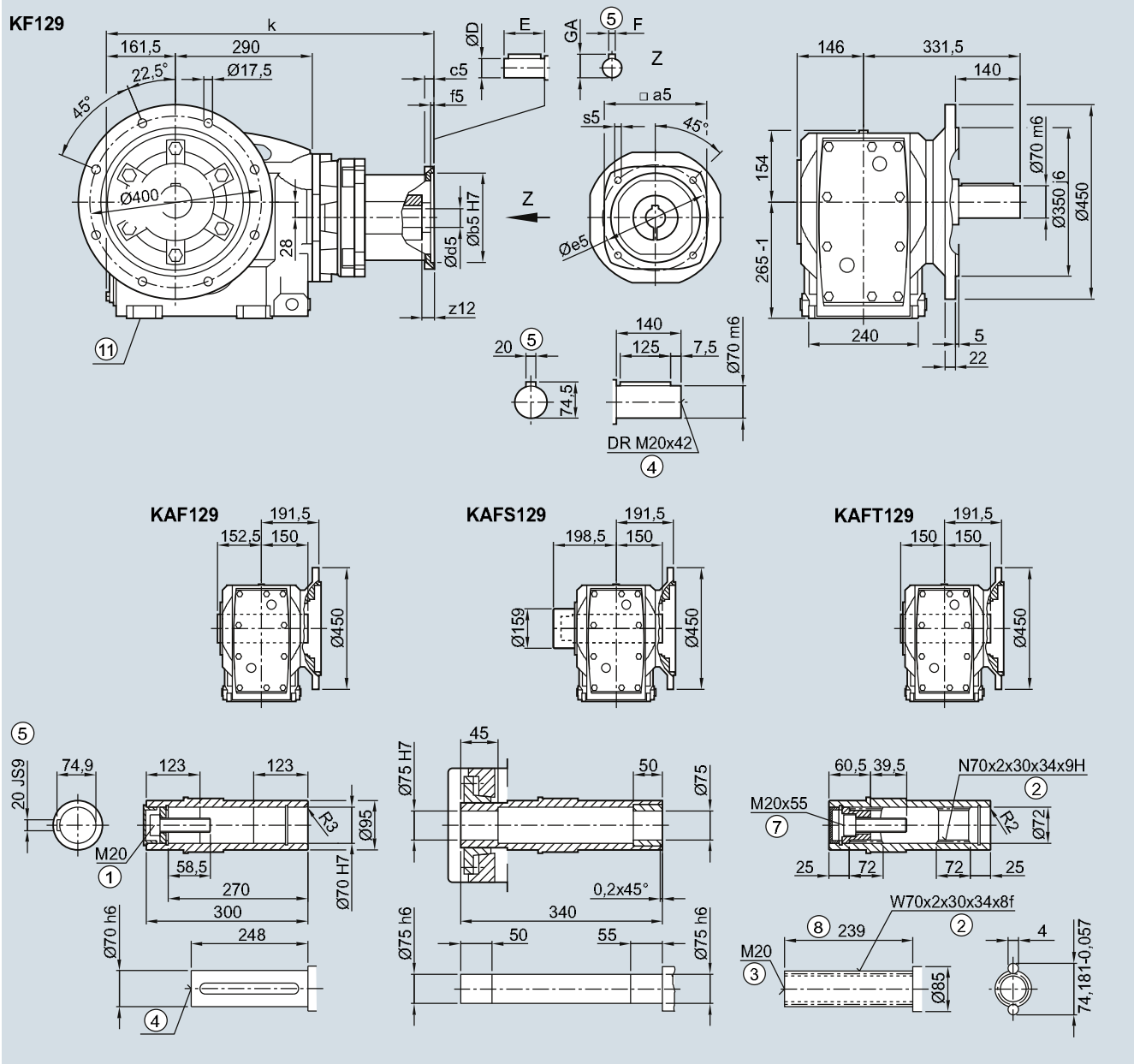


Adapter	a5	b5	c5	f5	e5	s5	z12	d5/D	E	F	GA	k
704	96.5	80	10	4.0	100	M6	14.0	19	40	6	21.5	508.5
706	126.0	110	12	4.5	130	M8	15.0	24	50	8	27.0	521.5
708	155.0	130	15	4.5	165	M10	23.5	32	58	10	35.0	561.0
710	192.5	180	15	5.0	215	M12	33.0	38	80	10	41.0	630.0

- ① ISO 4014
- ② DIN 5480
- ③ DIN 332-D
- ④ DIN 332
- ⑤ Feather key/keyway DIN 6885
- ⑦ ISO 4762
- ⑧ Without locating shoulder +1 mm
- ⑨ Use bores only for housing flange design

K.F.129 gearbox in a flange-mounted design

KF030KQ, KAF030KQ, KAFS030KQ, KAFT030KQ



Adapter	a5	b5	c5	f5	e5	s5	z12	d5/D	E	F	GA	k
706	126.0	110	12	4.5	130	M8	15.0	24	50	8	27.0	575.5
708	155.0	130	15	4.5	165	M10	23.5	32	58	10	35.0	613.0
710	192.5	180	15	5.0	215	M12	33.0	38	80	10	41.0	682.0

- ① ISO 4014
- ② DIN 5480
- ③ DIN 332-D
- ④ DIN 332
- ⑤ Feather key/keyway DIN 6885
- ⑦ ISO 4762
- ⑧ Without locating shoulder +1 mm
- ⑨ Use bores only for foot-mounted design

SIMOGEAR Gearboxes

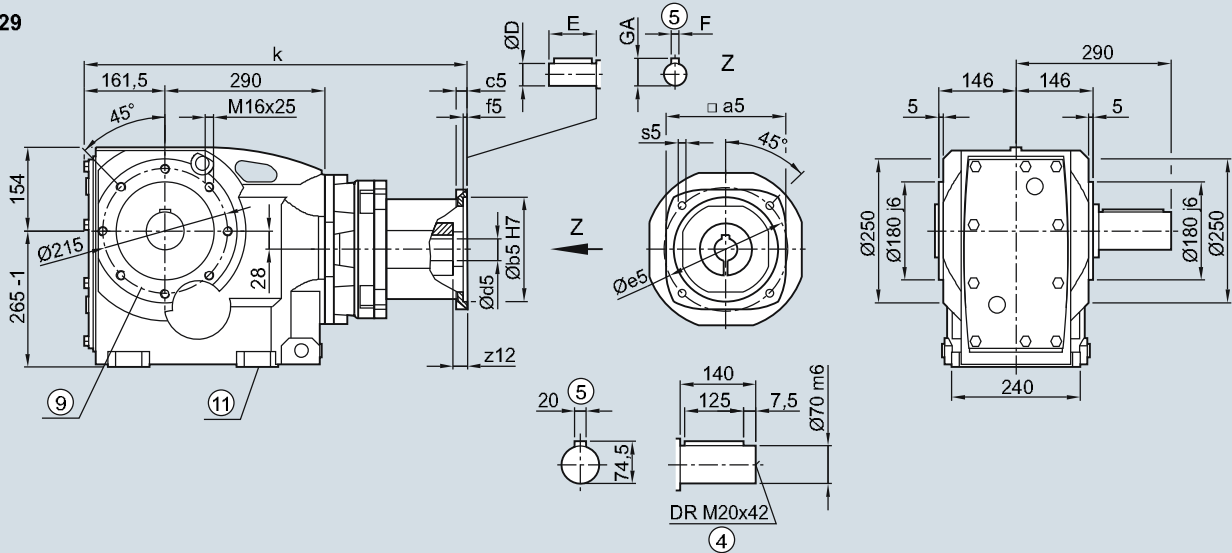
Bevel gearbox with adapter KQ

Dimensions

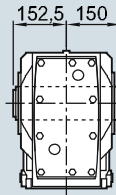
K.Z.129 in a housing flange design

KZ030KQ, KAZ030KQ, KAZS030KQ, KAZT030KQ

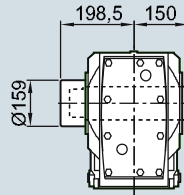
K129



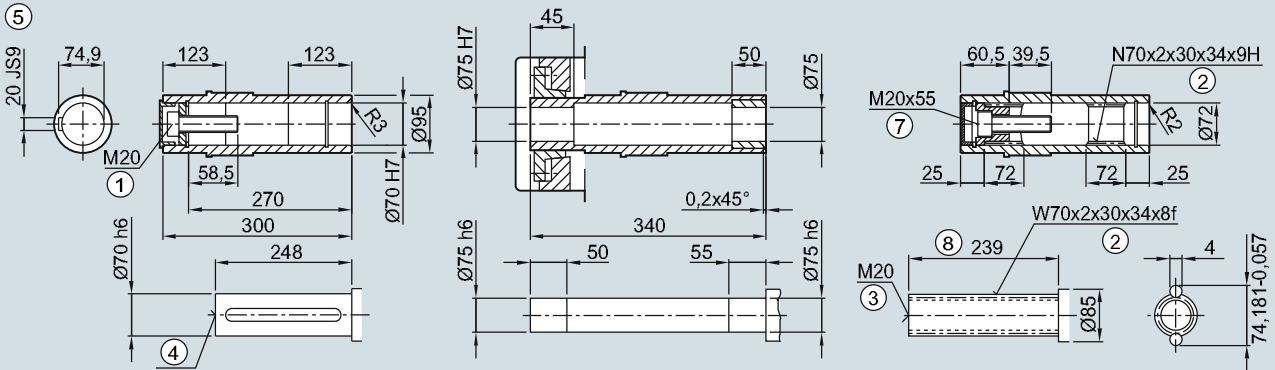
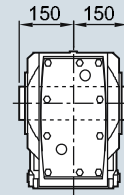
KA129



KAS129



KAT129



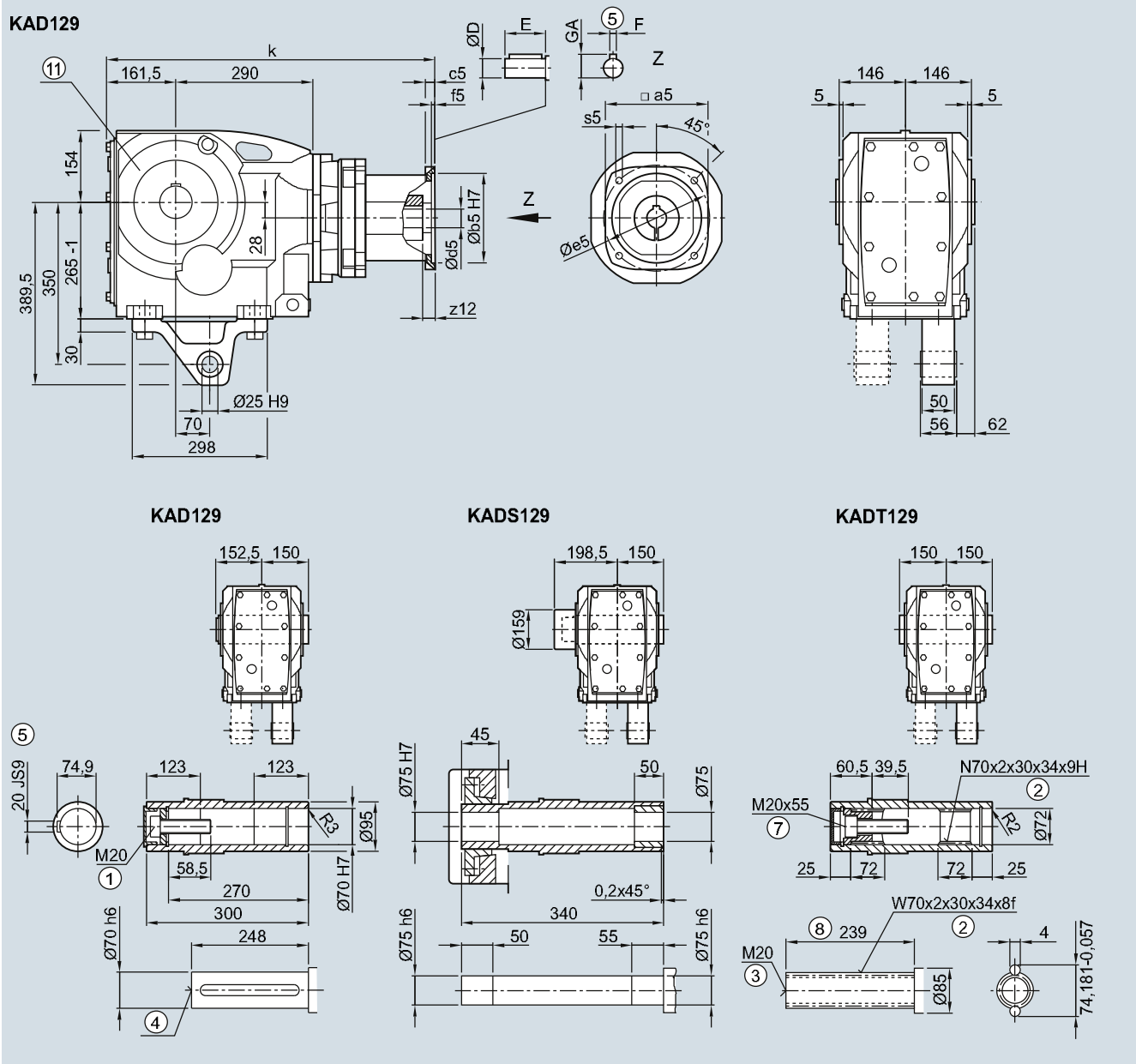
Adapter	a5	b5	c5	f5	e5	s5	z12	d5/D	E	F	GA	k
706	126.0	110	12	4.5	130	M8	15.0	24	50	8	27.0	575.5
708	155.0	130	15	4.5	165	M10	23.5	32	58	10	35.0	613.0
710	192.5	180	15	5.0	215	M12	33.0	38	80	10	41.0	682.0

- ① ISO 4014 ② DIN 5480 ③ DIN 332-D ④ DIN 332 ⑤ Feather key/keyway DIN 6885
- ⑦ ISO 4762 ⑧ Without locating shoulder +1 mm ⑨ For pin holes, see 4/131 ⑩ Use bores only for foot-mounted design



KAD.129 gearbox in a shaft-mounted design

KAD030KQ, KADS030KQ, KADT030KQ



Adapter	a5	b5	c5	f5	e5	s5	z12	d5/D	E	F	GA	k
706	126.0	110	12	4.5	130	M8	15.0	24	50	8	27.0	575.5
708	155.0	130	15	4.5	165	M10	23.5	32	58	10	35.0	613.0
710	192.5	180	15	5.0	215	M12	33.0	38	80	10	41.0	682.0

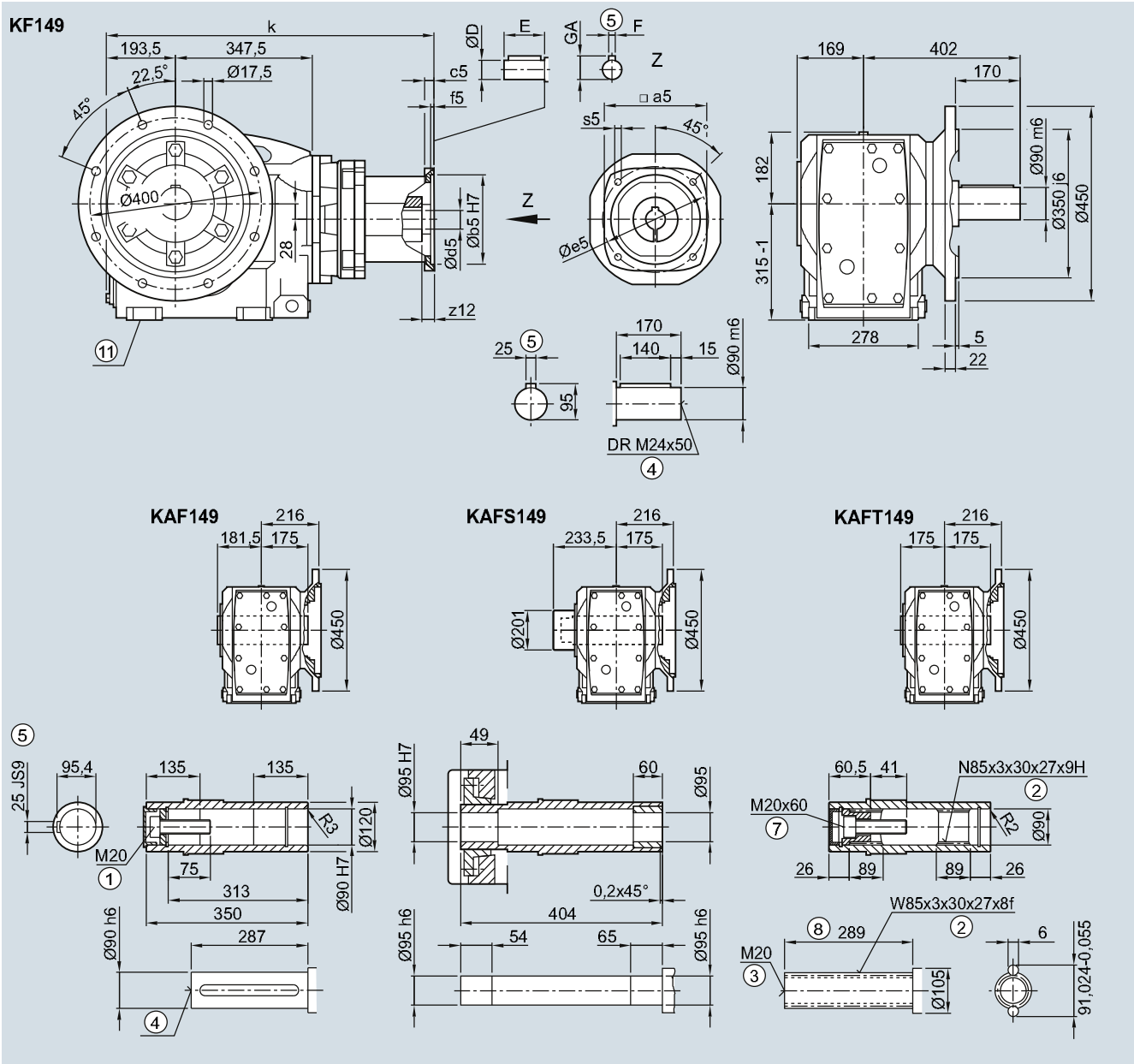
- ① ISO 4014 ② DIN 5480 ③ DIN 332-D ④ DIN 332 ⑤ Feather key/keyway DIN 6885
- ⑦ ISO 4762 ⑧ Without locating shoulder +1 mm ⑨ Use bores only for housing flange design

SIMOGEAR Gearboxes
Bevel gearbox with adapter KQ

Dimensions

K.F.149 gearbox in a flange-mounted design

KF030KQ, KAF030KQ, KAFS030KQ, KAFT030KQ



Adapter	a5	b5	c5	f5	e5	s5	z12	d5/D	E	F	GA	k
706	126.0	110	12	4.5	130	M8	15.0	24	50	8	27.0	658.0
708	155.0	130	15	4.5	165	M10	23.5	32	58	10	35.0	693.5
710	192.5	180	15	5.0	215	M12	33.0	38	80	10	41.0	760.5

- ① ISO 4014
- ② DIN 5480
- ③ DIN 332-D
- ④ DIN 332
- ⑤ Feather key/keyway DIN 6885
- ⑦ ISO 4762
- ⑧ Without locating shoulder +1 mm
- ⑨ Use bores only for foot-mounted design

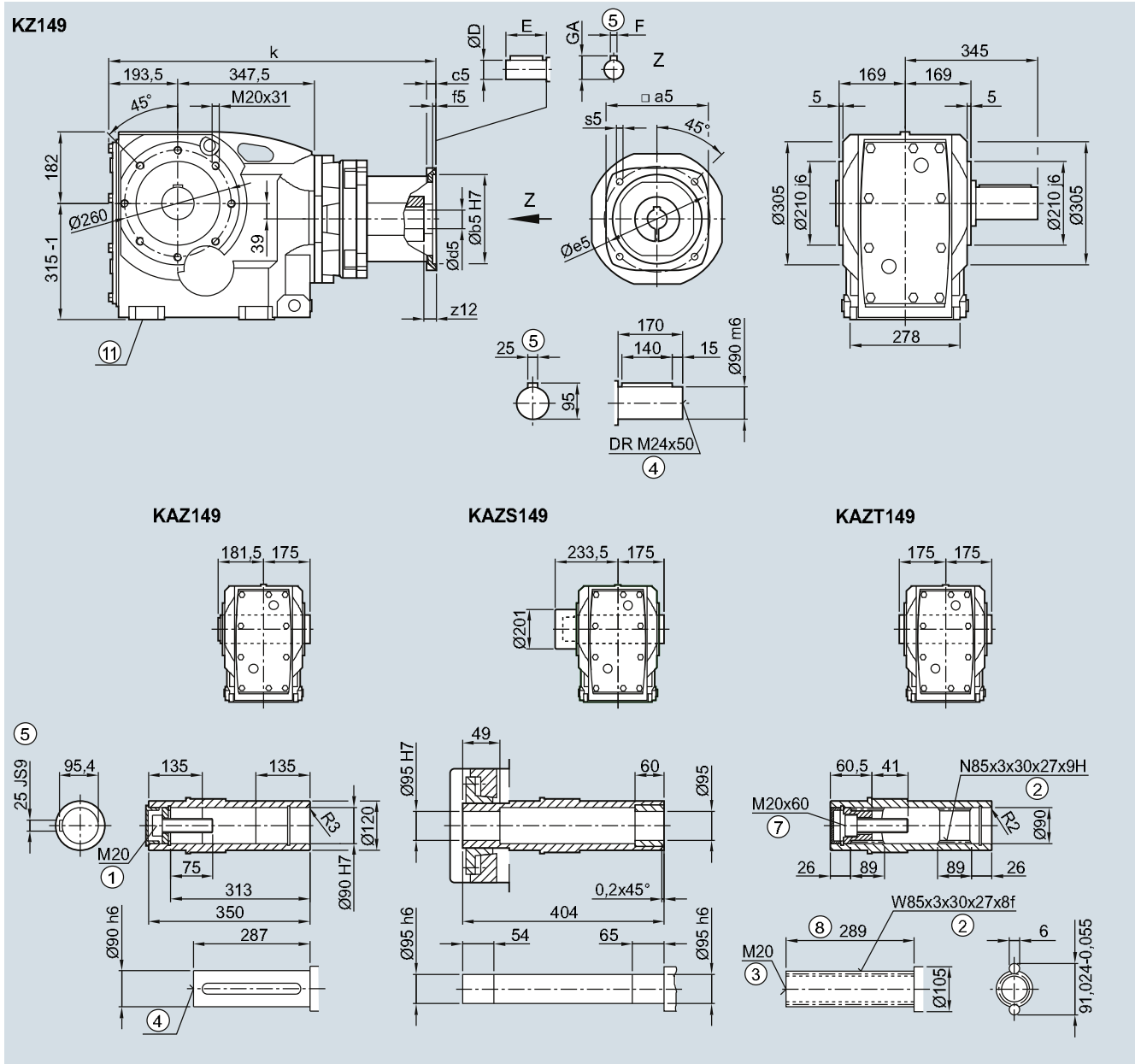
SIMOGEAR Gearboxes

Bevel gearbox with adapter KQ

Dimensions

K.Z.149 in a housing flange design

KZ030KQ, KAZ030KQ, KAZS030KQ, KAZT030KQ



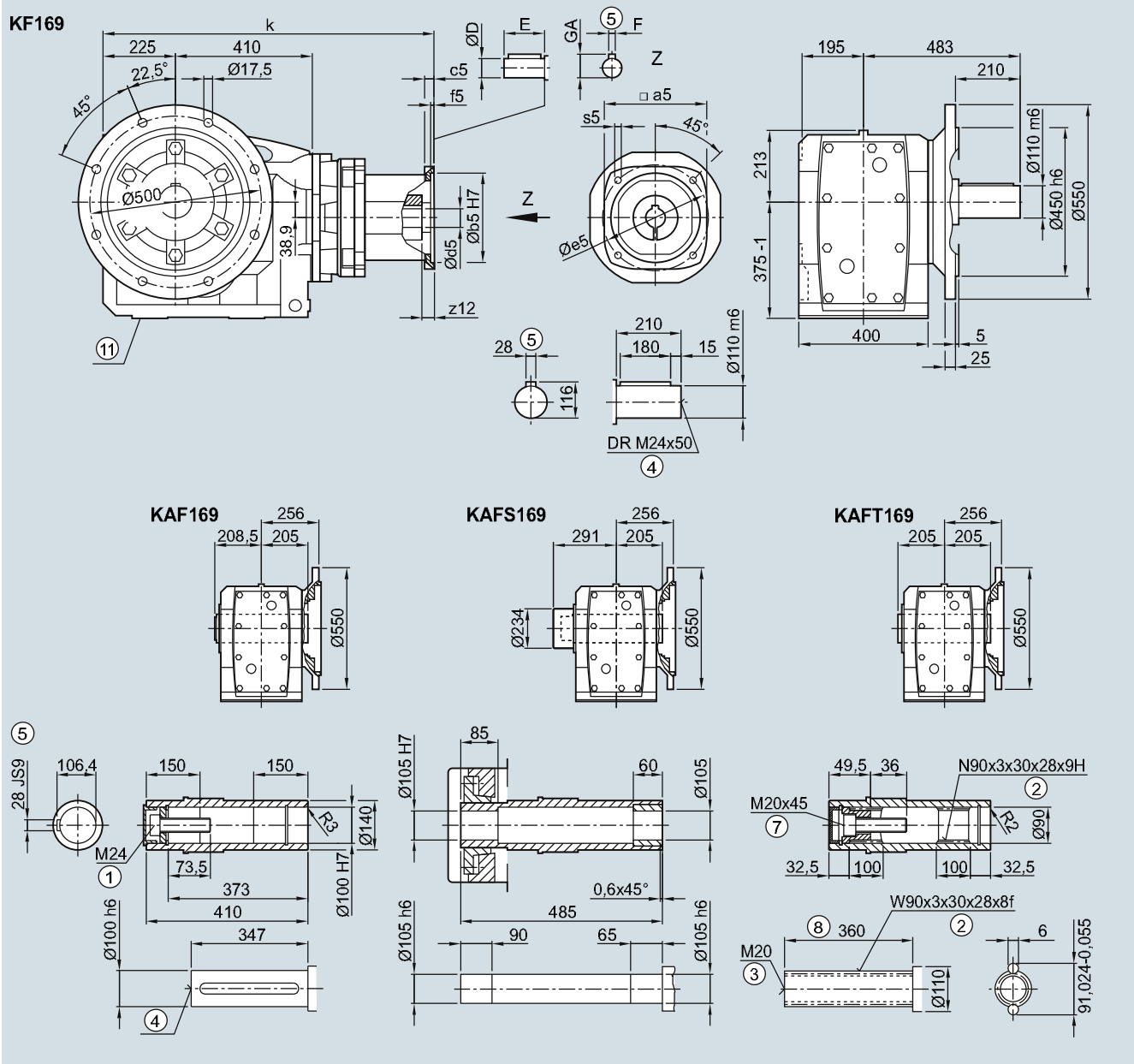
Adapter	a5	b5	c5	f5	e5	s5	z12	d5/D	E	F	GA	k
706	126.0	110	12	4.5	130	M8	15.0	24	50	8	27.0	658.0
708	155.0	130	15	4.5	165	M10	23.5	32	58	10	35.0	693.5
710	192.5	180	15	5.0	215	M12	33.0	38	80	10	41.0	760.5

- ① ISO 4014
- ② DIN 5480
- ③ DIN 332-D
- ④ DIN 332
- ⑤ Feather key/keyway DIN 6885
- ⑦ ISO 4762
- ⑧ Without locating shoulder +1 mm
- ⑨ Use bores only for foot-mounted design



K.F.169 gearbox in a flange-mounted design

KF030KQ, KAF030KQ, KAFS030KQ, KAFT030KQ



Adapter	a5	b5	c5	f5	e5	s5	z12	d5/D	E	F	GA	k
708	155.0	130	15	4.5	165	M10	23.5	32	58	10	35.0	786.0
710	192.5	180	15	5.0	215	M12	33.0	38	80	10	41.0	848.0

- ① ISO 4014
- ② DIN 5480
- ③ DIN 332-D
- ④ DIN 332
- ⑤ Feather key/keyway DIN 6885
- ⑦ ISO 4762
- ⑧ Without locating shoulder +1 mm
- ⑨ Use bores only for foot-mounted design

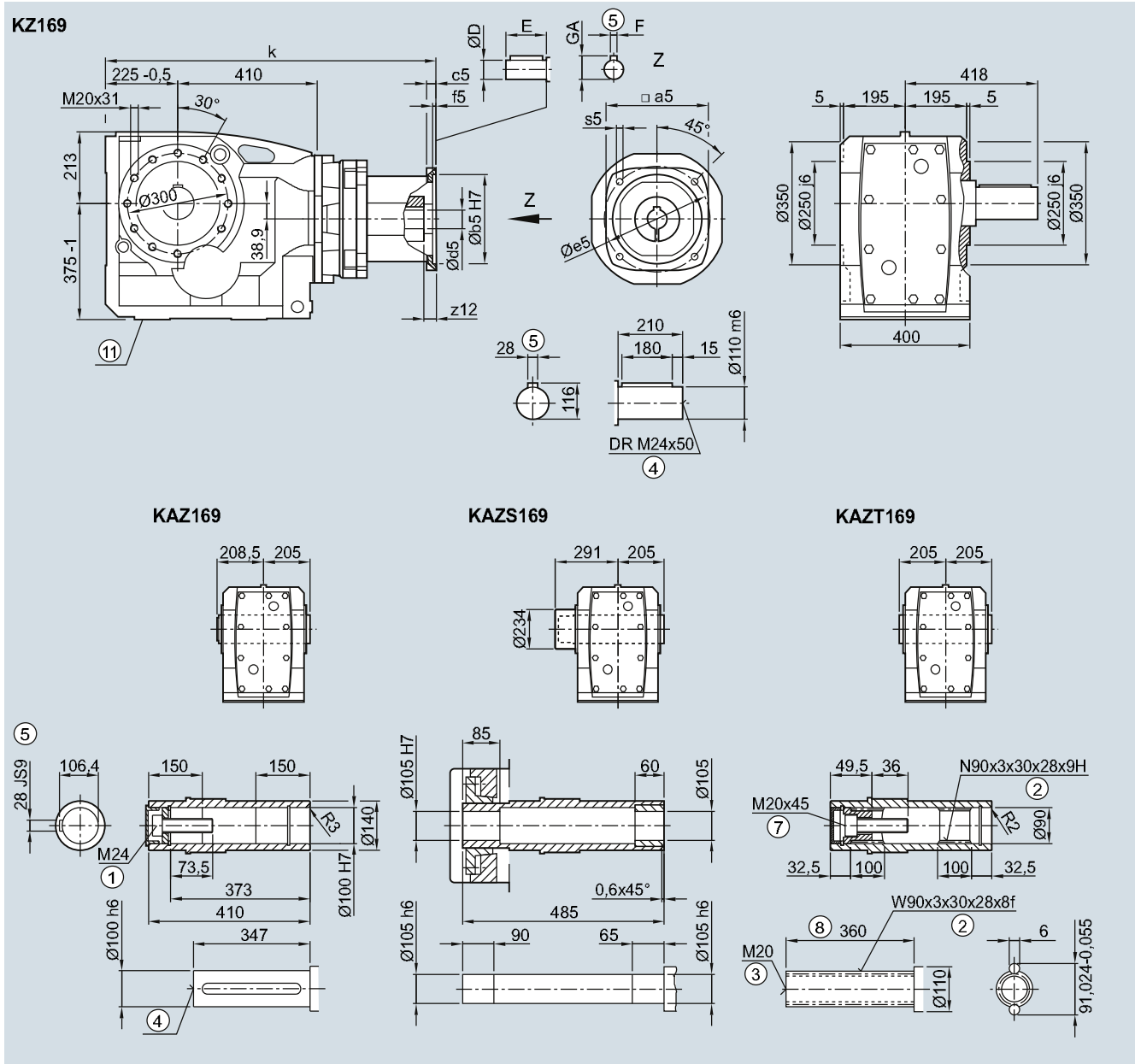
SIMOGEAR Gearboxes

Bevel gearbox with adapter KQ

Dimensions

K.Z.169 gearbox in a housing flange design

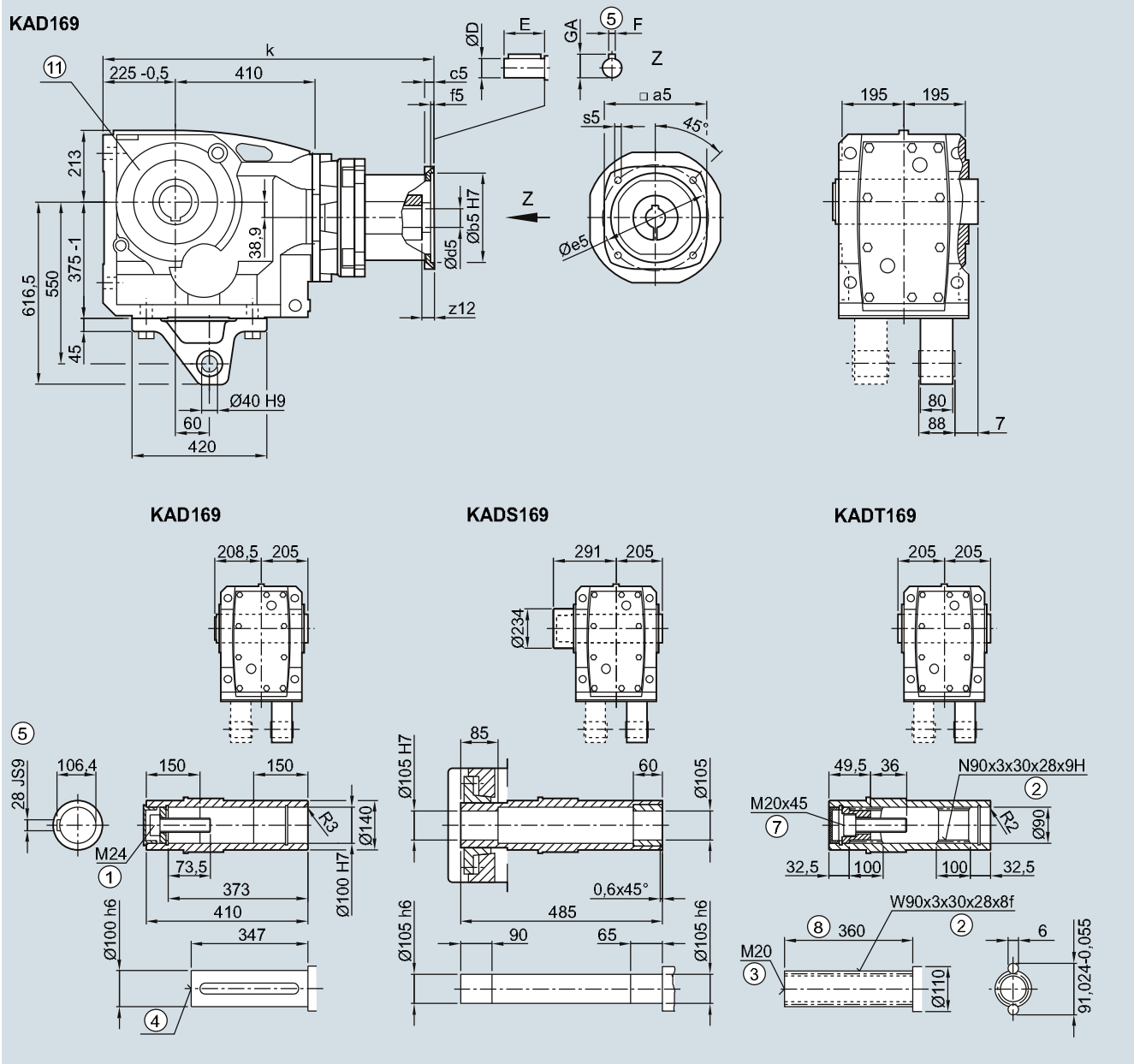
KZ030KQ, KAZ030KQ, KAZS030KQ, KAZT030KQ



Adapter	a5	b5	c5	f5	e5	s5	z12	d5/D	E	F	GA	k
708	155.0	130	15	4.5	165	M10	23.5	32	58	10	35.0	786.0
710	192.5	180	15	5.0	215	M12	33.0	38	80	10	41.0	848.0

KAD.169 gearbox in a shaft-mounted design

KAD030KQ, KADS030KQ, KADT030KQ



Adapter	a5	b5	c5	f5	e5	s5	z12	d5/D	E	F	GA	k
708	155.0	130	15	4.5	165	M10	23.5	32	58	10	35.0	786.0
710	192.5	180	15	5.0	215	M12	33.0	38	80	10	41.0	848.0

- ① ISO 4014
- ② DIN 5480
- ③ DIN 332-D
- ④ DIN 332
- ⑤ Feather key/keyway DIN 6885
- ⑦ ISO 4762
- ⑧ Without locating shoulder +1 mm
- ⑩ Use bores only for housing flange design

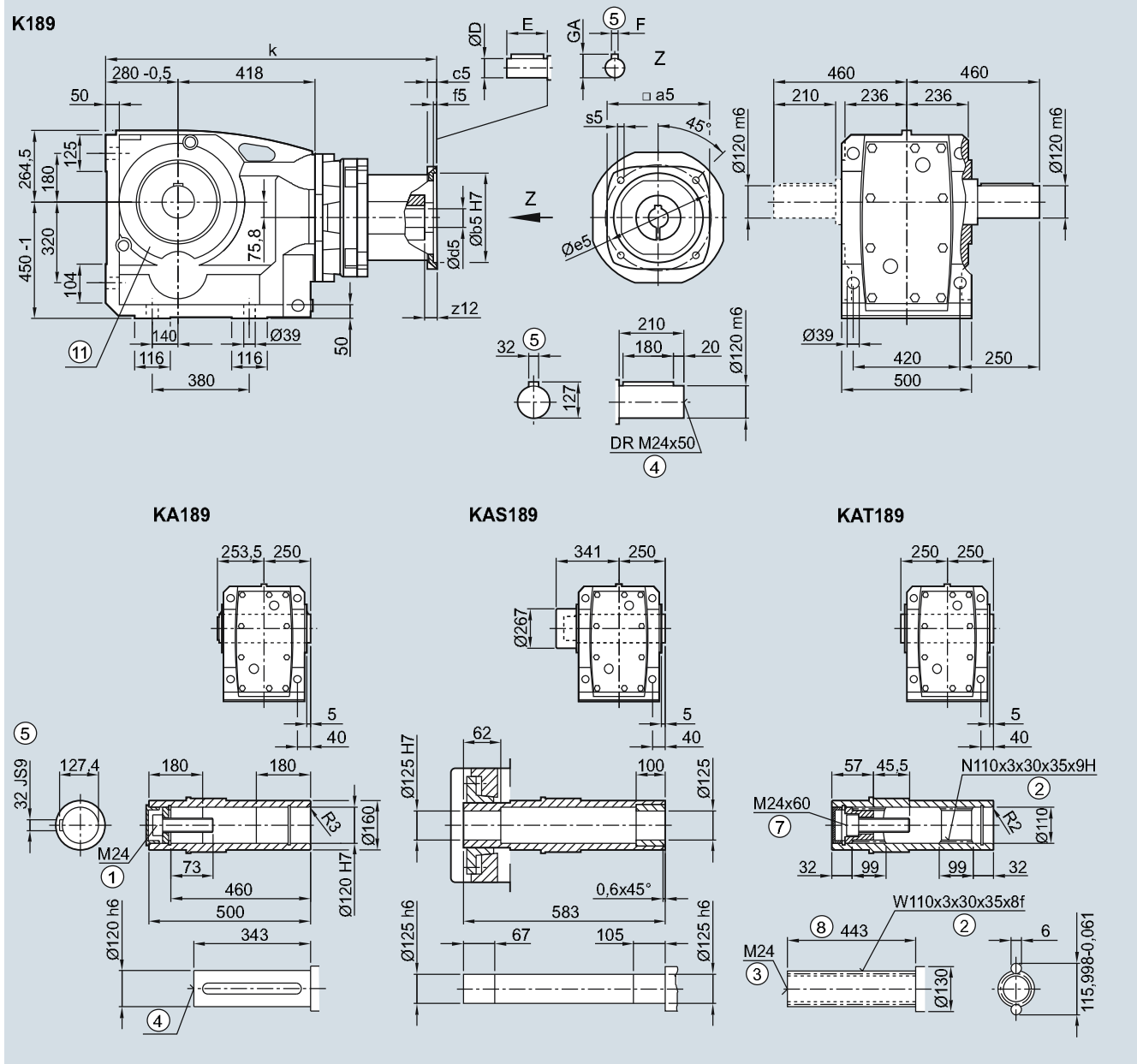
SIMOGEAR Gearboxes

Bevel gearbox with adapter KQ

Dimensions

K.189 gearbox in a foot-mounted design

K030KQ, KA030KQ, KAS030KQ, KAT030KQ



Adapter	a5	b5	c5	f5	e5	s5	z12	d5/D	E	F	GA	k
708	155.0	130	15	4.5	165	M10	23.5	32	58	10	35.0	836.5
710	192.5	180	15	5.0	215	M12	33.0	38	80	10	41.0	848.0

- ① ISO 4014 ② DIN 5480 ③ DIN 332-D ④ DIN 332 ⑤ Feather key/keyway DIN 6885
- ⑦ ISO 4762 ⑧ Without locating shoulder +1 mm ⑨ Use bores only for housing flange design

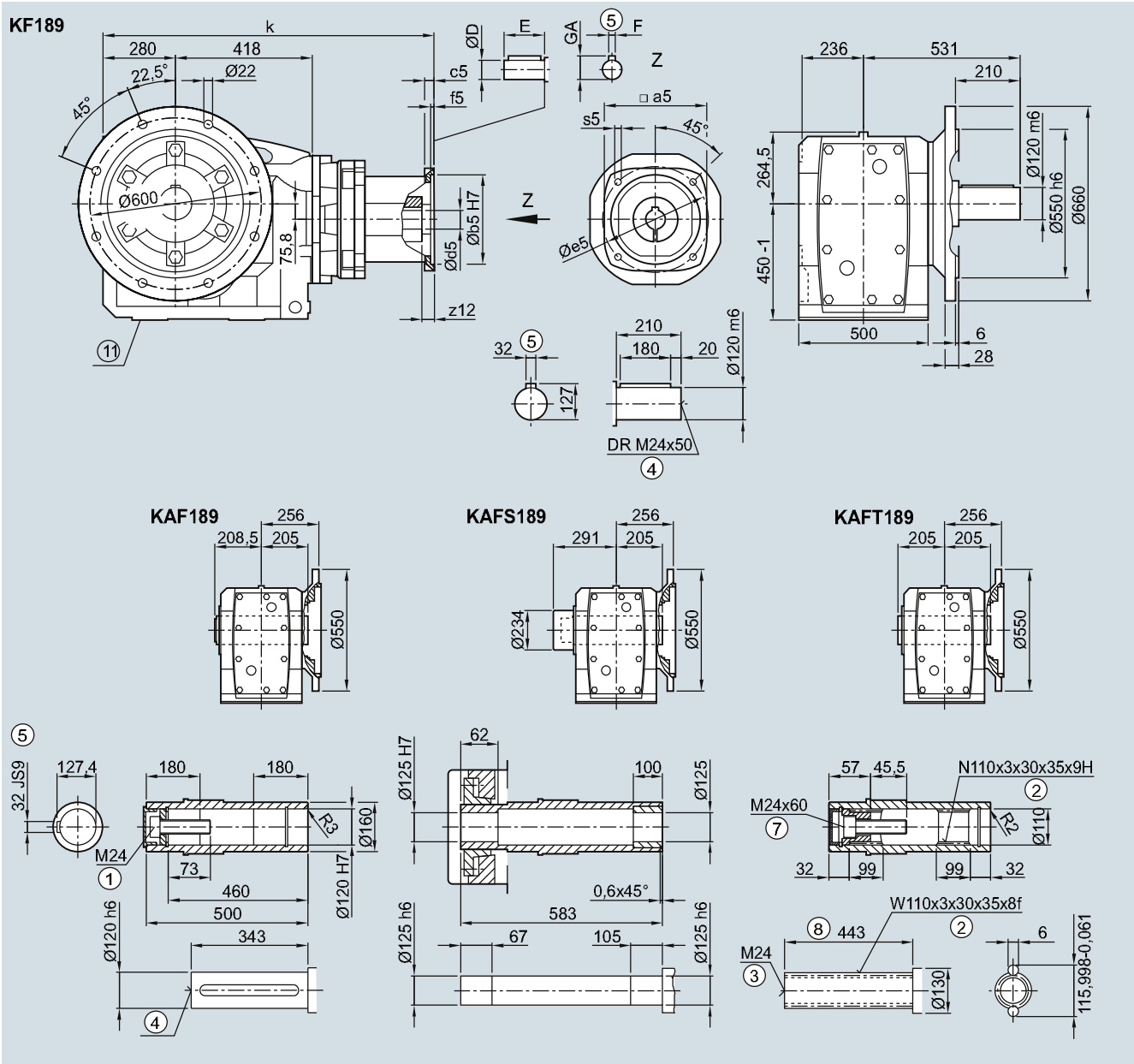


SIMOGEAR Gearboxes
Bevel gearbox with adapter KQ

Dimensions

K.F.189 gearbox in a flange-mounted design

KF030KQ, KAF030KQ, KAFS030KQ, KAFT030KQ



Adapter	a5	b5	c5	f5	e5	s5	z12	d5/D	E	F	GA	k
708	155.0	130	15	4.5	165	M10	23.5	32	58	10	35.0	836.5
710	192.5	180	15	5.0	215	M12	33.0	38	80	10	41.0	848.0

- ① ISO 4014
- ② DIN 5480
- ③ DIN 332-D
- ④ DIN 332
- ⑤ Feather key/keyway DIN 6885
- ⑦ ISO 4762
- ⑧ Without locating shoulder +1 mm
- ⑨ Use bores only for foot-mounted design

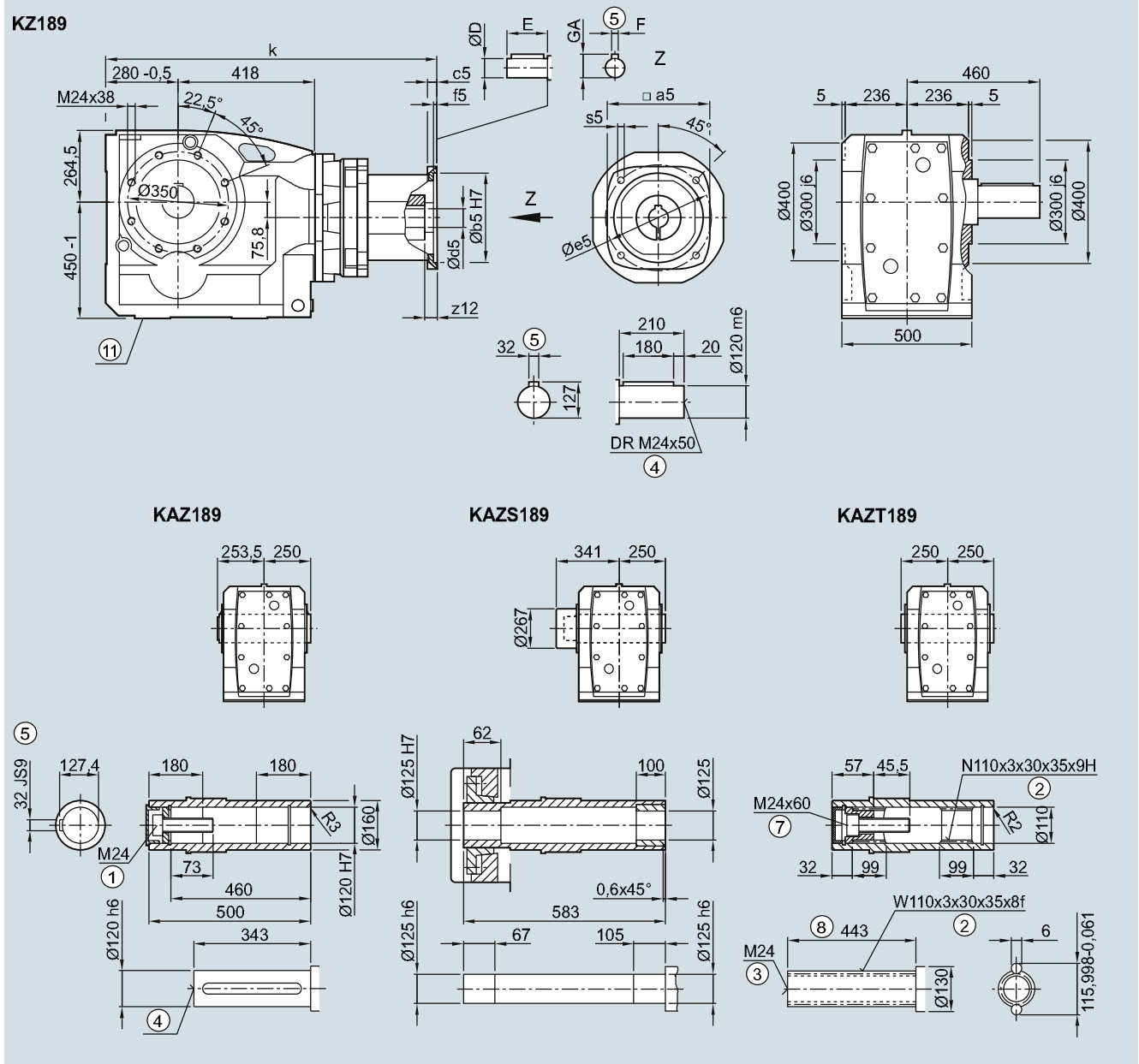
SIMOGEAR Gearboxes

Bevel gearbox with adapter KQ

Dimensions

K.Z.189 gearbox in a housing flange design

KZ030KQ, KAZ030KQ, KAZS030KQ, KAZT030KQ



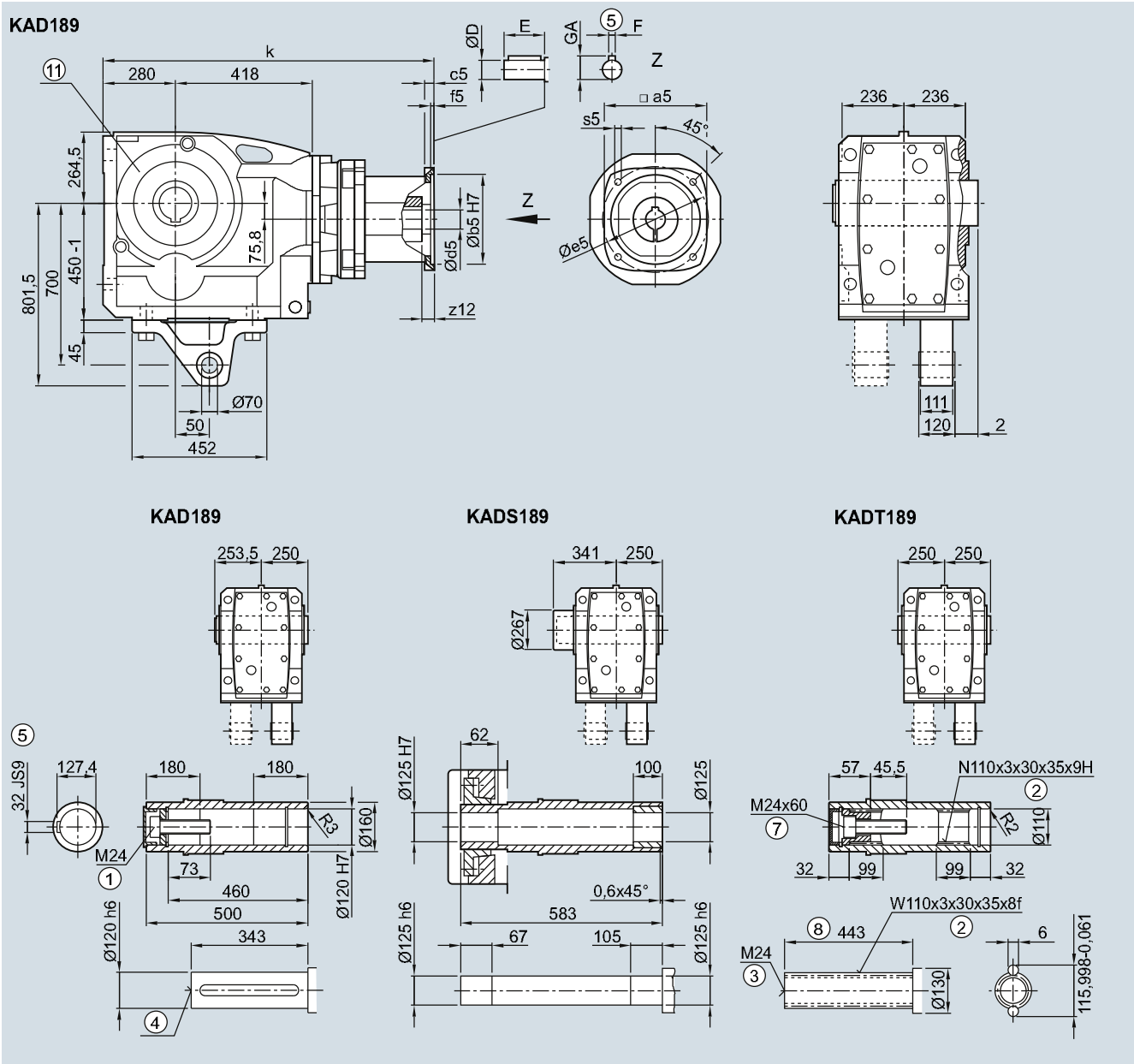
Adapter	a5	b5	c5	f5	e5	s5	z12	d5/D	E	F	GA	k
708	155.0	130	15	4.5	165	M10	23.5	32	58	10	35.0	836.5
710	192.5	180	15	5.0	215	M12	33.0	38	80	10	41.0	848.0

- ① ISO 4014 ② DIN 5480 ③ DIN 332-D ④ DIN 332 ⑤ Feather key/keyway DIN 6885
- ⑦ ISO 4762 ⑧ Without locating shoulder +1 mm ⑨ Use bores only for foot-mounted design



KAD.189 gearbox in a shaft-mounted design

KAD030KQ, KADS030KQ, KADT030KQ

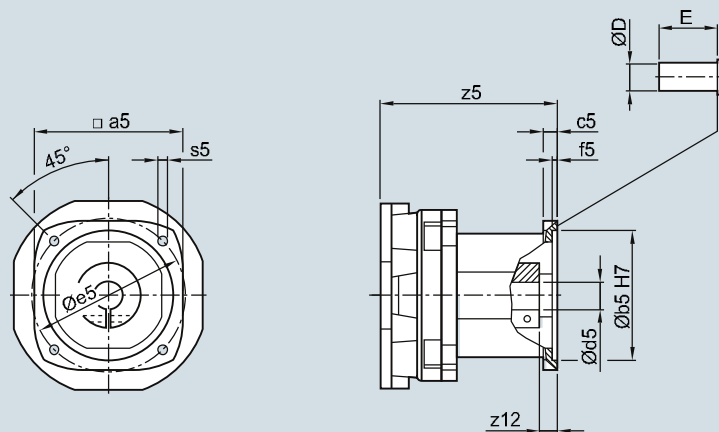


Adapter a5	b5	c5	f5	e5	s5	z12	d5/D	E	F	GA	k
708	155.0	130	15	4.5	165	M10	23.5	32	58	10	836.5
710	192.5	180	15	5.0	215	M12	33.0	38	80	10	848.0

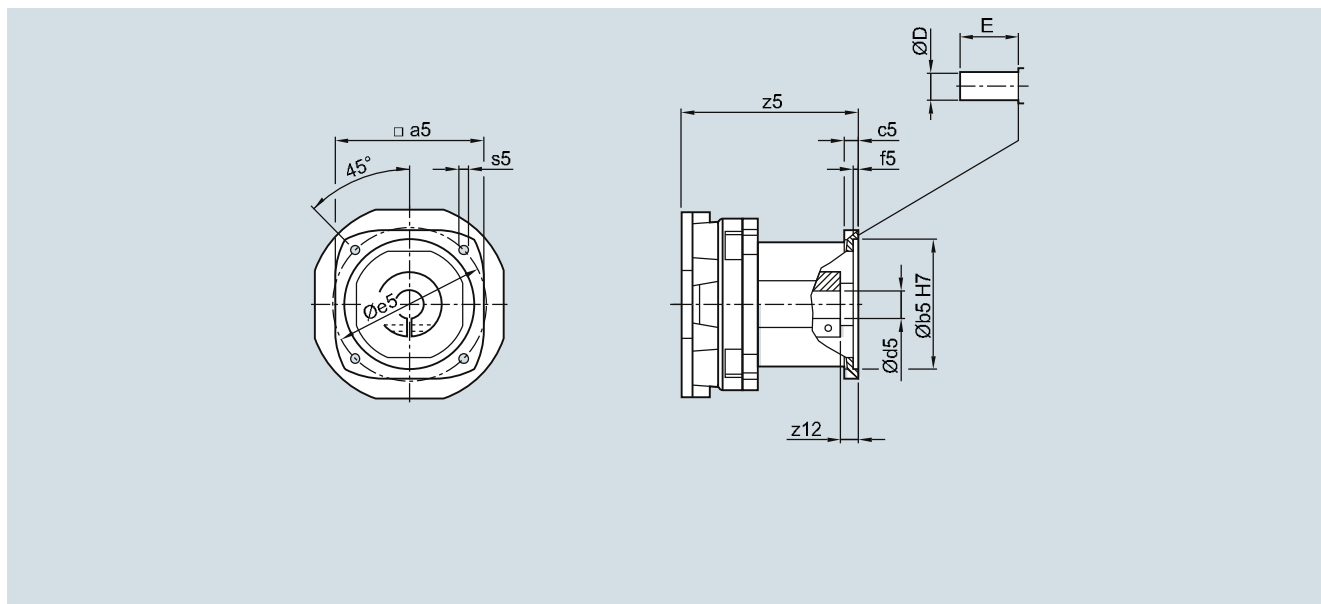
- ① ISO 4014
- ② DIN 5480
- ③ DIN 332-D
- ④ DIN 332
- ⑤ Feather key/keyway DIN 6885
- ⑦ ISO 4762
- ⑧ Without locating shoulder +1 mm
- ⑨ Use bores only for housing flange design

SIMOGEAR Gearboxes

Bevel gearbox with adapter QQS

Dimensions**B...29 to B...49 and K...39 to K...69 gearboxes****B..030KQS, B.F.030KQS, B.Z.030KQS, BAD.030KQS
K..030KQS, K.F.030KQS, K.Z.030K, KAD.030KQS**

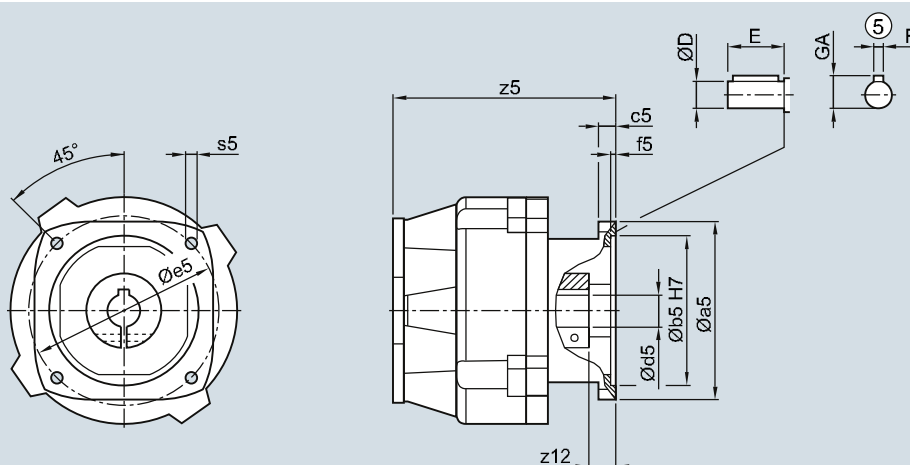
Adapter	a5	b5	c5	f5	e5	s5	z12	d5/D	E	z5
B...29										
703	71.6	60	9	4.0	75	M5	18.0	14	30	99.5
704	96.5	80	10	4.0	100	M6	14.0	19	40	146.5
706	126.0	110	12	4.5	130	M8	15.0	24	50	159.5
B...39										
703	71.6	60	9	4.0	75	M5	18.0	14	30	99.5
704	96.5	80	10	4.0	100	M6	14.0	19	40	146.5
706	126.0	110	12	4.5	130	M8	15.0	24	50	159.5
708	155.0	130	15	4.5	165	M10	23.5	32	58	203.0
B...49										
703	71.6	60	9	4.0	75	M5	18.0	14	30	90.0
704	96.5	80	10	4.0	100	M6	14.0	19	40	137.0
706	126.0	110	12	4.5	130	M8	15.0	24	50	150.0
708	155.0	130	15	4.5	165	M10	23.5	32	58	193.5
710	192.5	180	15	5.0	215	M12	33.0	38	80	262.5
K...39										
703	71.6	60	9	4.0	75	M5	18.0	14	30	99.5
704	96.5	80	10	4.0	100	M6	14.0	19	40	146.5
706	126.0	110	12	4.5	130	M8	15.0	24	50	159.5
708	155.0	130	15	4.5	165	M10	23.5	32	58	203.0
K...49										
703	71.6	60	9	4.0	75	M5	18.0	14	30	90.0
704	96.5	80	10	4.0	100	M6	14.0	19	40	137.0
706	126.0	110	12	4.5	130	M8	15.0	24	50	150.0
708	155.0	130	15	4.5	165	M10	23.5	32	58	193.5
710	192.5	180	15	5.0	215	M12	33.0	38	80	262.5
K...69										
703	71.6	60	9	4.0	75	M5	18.0	14	30	90.0
704	96.5	80	10	4.0	100	M6	14.0	19	40	137.0
706	126.0	110	12	4.5	130	M8	15.0	24	50	150.0
708	155.0	130	15	4.5	165	M10	23.5	32	58	193.5
710	192.5	180	15	5.0	215	M12	33.0	38	80	262.5

K...79 to K...189 gearboxes
K...030KQS, K.F.030KQS, K.Z.030K, KAD.030KQS


Adapter	a5	b5	c5	f5	e5	s5	z12	d5/D	E	z5
K...79										
703	71.6	60	9	4.0	75	M5	18.0	14	30	90.0
704	96.5	80	10	4.0	100	M6	14.0	19	40	137.0
706	126.0	110	12	4.5	130	M8	15.0	24	50	150.0
708	155.0	130	15	4.5	165	M10	23.5	32	58	193.5
710	192.5	180	15	5.0	215	M12	33.0	38	80	262.5
K...89										
703	71.6	60	9	4.0	75	M5	18.0	14	30	88.0
704	96.5	80	10	4.0	100	M6	14.0	19	40	131.0
706	126.0	110	12	4.5	130	M8	15.0	24	50	144.0
708	155.0	130	15	4.5	165	M10	23.5	32	58	187.5
710	192.5	180	15	5.0	215	M12	33.0	38	80	256.5
K...109										
704	96.5	80	10	4.0	100	M6	14.0	19	40	118.0
706	126.0	110	12	4.5	130	M8	15.0	24	50	131.0
708	155.0	130	15	4.5	165	M10	23.5	32	58	170.5
710	192.5	180	15	5.0	215	M12	33.0	38	80	239.5
K...129										
706	126.0	110	12	4.5	130	M8	15.0	24	50	124.0
708	155.0	130	15	4.5	165	M10	23.5	32	58	161.5
710	192.5	180	15	5.0	215	M12	33.0	38	80	230.5
K...149										
706	126.0	110	12	4.5	130	M8	15.0	24	50	117.0
708	155.0	130	15	4.5	165	M10	23.5	32	58	152.5
710	192.5	180	15	5.0	215	M12	33.0	38	80	219.5
K...169										
708	155.0	130	15	4.5	165	M10	23.5	32	58	151.0
710	192.5	180	15	5.0	215	M12	33.0	38	80	213.0
K...189										
708	155.0	130	15	4.5	165	M10	23.5	32	58	138.5
710	192.5	180	15	5.0	215	M12	33.0	38	80	200.0

SIMOGEAR Gearboxes

Bevel gearbox with adapter K8

Dimensions**B...39 to B...49 and K...39 to K...109 gearboxes****B..030K8, B.F.030K8, B.Z.030K8, BAD.030K8
K..030K8, K.F.030K8, K.Z.030K8, KAD.030K8**

Adapter	a5	b5	c5	f5	e5	s5	z12	d5/D	E	F	GA	z5
B...39												
808	155.0	130	35	4.5	165	M10	43.5	32	80	10	35.0	223.0
B...49												
808	155.0	130	35	4.5	165	M10	43.5	32	80	10	35.0	213.5
810	192.5	180	15	5.0	215	M12	33.0	38	80	10	41.0	262.5
K...39												
808	155.0	130	35	4.5	165	M10	43.5	32	80	10	35.0	223.0
K...49												
808	155.0	130	35	4.5	165	M10	43.5	32	80	10	35.0	213.5
810	192.5	180	15	5.0	215	M12	33.0	38	80	10	41.0	262.5
K...69												
808	155.0	130	35	4.5	165	M10	43.5	32	80	10	35.0	213.5
810	192.5	180	15	5.0	215	M12	33.0	38	80	10	41.0	262.5
K...79												
808	155.0	130	35	4.5	165	M10	43.5	32	80	10	35.0	213.5
810	192.5	180	15	5.0	215	M12	33.0	38	80	10	41.0	262.5
K...89												
808	155.0	130	35	4.5	165	M10	43.5	32	80	10	35.0	207.5
810	192.5	180	15	5.0	215	M12	33.0	38	80	10	41.0	256.5
K...109												
808	155.0	130	35	4.5	165	M10	43.5	32	80	10	35.0	190.5
810	192.5	180	15	5.0	215	M12	33.0	38	80	10	41.0	239.5
813	260.0	250	25	6.0	300	M16	60.0	48	110	14	51.5	317.5

⑤ Feather key/keyway DIN 6885

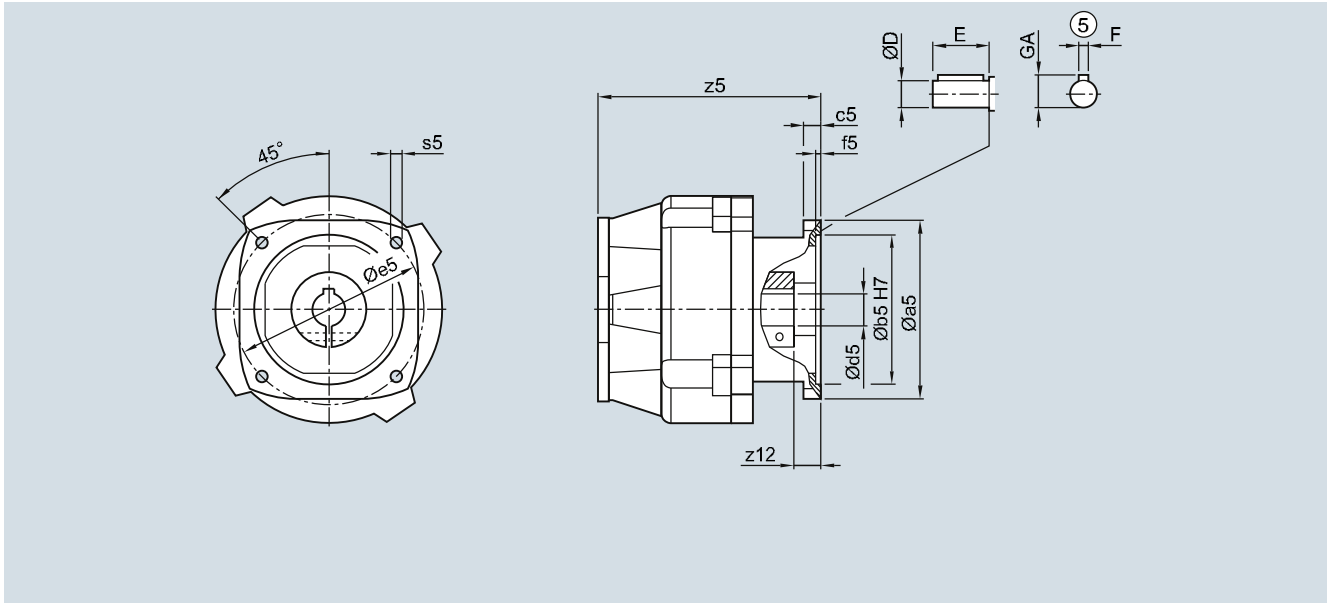
SIMOGEAR Gearboxes

Bevel gearbox with adapter K8

Dimensions

K...129 to K...189 gearboxes

K...030K8, K.F.030K8, K.Z.030K8, KAD.030K8

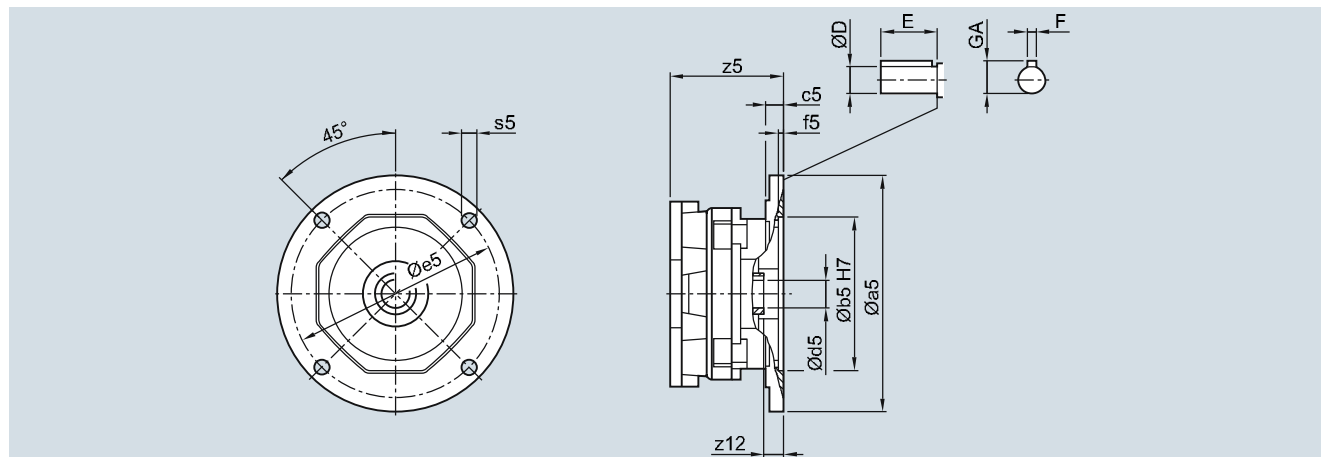


Adapter	a5	b5	c5	f5	e5	s5	z12	d5/D	E	F	GA	z5
K...129												
808	155.0	130	35	4.5	165	M10	43.5	32	80	10	35.0	181.5
810	192.5	180	15	5.0	215	M12	33.0	38	80	10	41.0	230.5
813	260.0	250	25	6.0	300	M16	60.0	48	110	14	51.5	308.5
816	314.0	300	-	6.0	350	M16x29	60	55	110	16	59.0	365.0
K...149												
808	155.0	130	35	4.5	165	M10	43.5	32	80	10	35.0	172.5
810	192.5	180	15	5.0	215	M12	33.0	38	80	10	41.0	219.5
813	260.0	250	25	6.0	300	M16	60.0	48	110	14	51.5	297.5
816	314.0	300	-	6.0	350	M16x29	60	55	110	16	59.0	360.0
K...169												
808	155.0	130	35	4.5	165	M10	43.5	32	80	10	35.0	171.0
810	192.5	180	15	5.0	215	M12	33.0	38	80	10	41.0	213.0
813	260.0	250	25	6.0	300	M16	60.0	48	110	14	51.5	291.0
816	314.0	300	-	6.0	350	M16x29	60	55	110	16	59.0	347.5
818	550	350	22.0	12.0	400	M16	73	65	140	18	69.0	336.5
K...189												
808	155.0	130	35	4.5	165	M10	43.5	32	80	10	35.0	158.5
810	192.5	180	15	5.0	215	M12	33.0	38	80	10	41.0	200.0
813	260.0	250	25	6.0	300	M16	60.0	48	110	14	51.5	278.0
816	314.0	300	-	6.0	350	M16x29	60.0	55	110	16	59.0	333.0
818	550	350	22.0	12.0	400	M16	73.0	65	140	18	69.0	319.5
822	660	450	58.5	25.0	500	M16	58.5	75	140	20	79.5	346.5

⑤ Feather key/keyway DIN 6885

SIMOGEAR Gearboxes

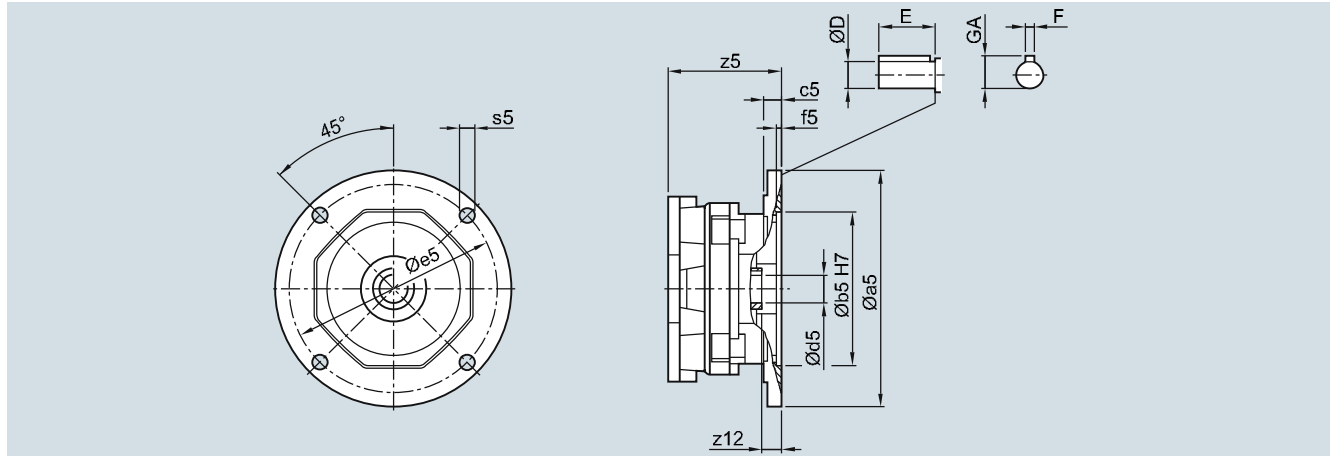
Bevel gearbox with adapter K5

Dimensions**B...29 to B...49 and K...39 to K...89 gearboxes****B..030K5, B.F.030K5, B.Z.030K5, BAD.030K5
K..030K5, K.F.030K5, K.Z.030K5, KAD.030K5**

Adapter	a5	b5	c5	f5	e5	s5	z12	d5/D	E	F	GA	z5
B...29												
56	168	114.3	15	5.0	149.2	11.0	16	15.875	47.752	4.763	17.895	118.5
140	168	114.3	15	5.0	149.2	11.0	16	22.225	57.150	4.763	24.346	118.5
180	226	215.9	22	5.5	184.1	13.5	26	28.575	69.850	6.350	31.394	200.5
B...39												
56	168	114.3	15	5.0	149.2	11.0	16	15.875	47.752	4.763	17.895	118.5
140	168	114.3	15	5.0	149.2	11.0	16	22.225	57.150	4.763	24.346	118.5
180	226	215.9	22	5.5	184.1	13.5	26	28.575	69.850	6.350	31.394	200.5
B...49												
56	168	114.3	15	5.0	149.2	11.0	16	15.875	47.752	4.763	17.895	109.0
140	168	114.3	15	5.0	149.2	11.0	16	22.225	57.150	4.763	24.346	109.0
180	226	215.9	22	5.5	184.1	13.5	26	28.575	69.850	6.350	31.394	191.0
210	226	215.9	22	5.5	184.1	13.5	12	34.925	85.850	7.938	38.443	207.0
K...39												
56	168	114.3	15	5.0	149.2	11.0	16	15.875	47.752	4.763	17.895	118.5
140	168	114.3	15	5.0	149.2	11.0	16	22.225	57.150	4.763	24.346	118.5
180	226	215.9	22	5.5	184.1	13.5	26	28.575	69.850	6.350	31.394	200.5
K...49												
56	168	114.3	15	5.0	149.2	11.0	16	15.875	47.752	4.763	17.895	109.0
140	168	114.3	15	5.0	149.2	11.0	16	22.225	57.150	4.763	24.346	109.0
180	226	215.9	22	5.5	184.1	13.5	26	28.575	69.850	6.350	31.394	191.0
210	226	215.9	22	5.5	184.1	13.5	12	34.925	85.850	7.938	38.443	207.0
K...69												
56	168	114.3	15	5.0	149.2	11.0	16	15.875	47.752	4.763	17.895	109.0
140	168	114.3	15	5.0	149.2	11.0	16	22.225	57.150	4.763	24.346	109.0
180	226	215.9	22	5.5	184.1	13.5	26	28.575	69.850	6.350	31.394	191.0
210	226	215.9	22	5.5	184.1	13.5	12	34.925	85.850	7.938	38.443	207.0
K...79												
56	168	114.3	15	5.0	149.2	11.0	16	15.875	47.752	4.763	17.895	109.0
140	168	114.3	15	5.0	149.2	11.0	16	22.225	57.150	4.763	24.346	109.0
180	226	215.9	22	5.5	184.1	13.5	26	28.575	69.850	6.350	31.394	191.0
210	226	215.9	22	5.5	184.1	13.5	12	34.925	85.850	7.938	38.443	207.0
K...89												
56	168	114.3	15	5.0	149.2	11.0	16	15.875	47.752	4.763	17.895	103.0
140	168	114.3	15	5.0	149.2	11.0	16	22.225	57.150	4.763	24.346	103.0
180	226	215.9	22	5.5	184.1	13.5	26	28.575	69.850	6.350	31.394	185.0
210	226	215.9	22	5.5	184.1	13.5	12	34.925	85.850	7.938	38.443	201.0
250	226	215.9	22	5.5	184.1	13.5	12	41.275	101.600	9.525	45.491	201.0

K...109 to K...189 gearboxes

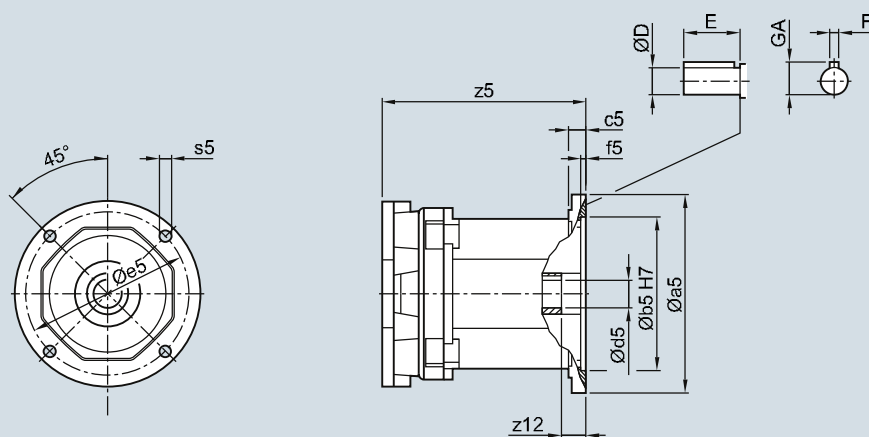
**B..030K5, B.F.030K5, B.Z.030K5, BAD.030K5
K..030K5, K.F.030K5, K.Z.030K5, KAD.030K5**



Adapter	a5	b5	c5	f5	e5	s5	z12	d5/D	E	F	GA	z5
K...109												
140	168	114.3	15	5.0	149.2	11.0	16	22.225	57.150	4.763	24.346	90.0
180	226	215.9	22	5.5	184.1	13.5	26	28.575	69.850	6.350	31.394	168.0
210	226	215.9	22	5.5	184.1	13.5	12	34.925	85.850	7.938	38.443	184.0
250	226	215.9	22	5.5	184.1	13.5	12	41.275	101.600	9.525	45.491	184.0
280	285	266.7	24.5	5.5	228.6	13.5	22	47.625	117.602	12.700	53.111	197.0
K...129												
140	168	114.3	15	5.0	149.2	11.0	16	22.225	57.150	4.763	24.346	90.0
180	226	215.9	22	5.5	184.1	13.5	26	28.575	69.850	6.350	31.394	168.0
210	226	215.9	22	5.5	184.1	13.5	12	34.925	85.850	7.938	38.443	184.0
250	226	215.9	22	5.5	184.1	13.5	12	41.275	101.600	9.525	45.491	184.0
280	285	266.7	24.5	5.5	228.6	13.5	22	47.625	117.602	12.700	53.111	197.0
320	340	317.5	26.5	5.5	279.4	17.0	32.5	53.975	133.35	12.700	59.563	264.5
K...149												
140	168	114.3	15	5.0	149.2	11.0	16	22.225	57.150	4.763	24.346	76.0
180	226	215.9	22	5.5	184.1	13.5	26	28.575	69.850	6.350	31.394	150.0
210	226	215.9	22	5.5	184.1	13.5	12	34.925	85.850	7.938	38.443	164.0
250	226	215.9	22	5.5	184.1	13.5	12	41.275	101.600	9.525	45.491	164.0
280	285	266.7	24.5	5.5	228.6	13.5	22	47.625	117.602	12.700	53.111	177.0
320	340	317.5	26.5	5.5	279.4	17.0	32.5	53.975	133.350	12.700	59.563	259.5
360	340	317.5	26.5	5.5	279.4	17.0	34.5	60.325	149.352	15.875	67.208	278.0
K...169												
180	226	215.9	22	5.5	184.1	13.5	26	28.575	69.850	6.350	31.394	148.5
210	226	215.9	22	5.5	184.1	13.5	12	34.925	85.850	7.938	38.443	157.5
250	226	215.9	22	5.5	184.1	13.5	12	41.275	101.600	9.525	45.491	157.5
280	285	266.7	24.5	5.5	228.6	13.5	22	47.625	117.602	12.700	53.111	170.5
320	340	317.5	26.5	5.5	279.4	17.0	32.5	53.975	133.35	12.700	59.563	247.0
360	340	317.5	26.5	5.5	279.4	17.0	34.5	60.325	149.352	15.875	67.208	241.5
K...189												
210	226	215.9	22	5.5	184.1	13.5	12	34.925	85.850	7.938	38.443	144.5
250	226	215.9	22	5.5	184.1	13.5	12	41.275	101.600	9.525	45.491	144.5
280	285	266.7	24.5	5.5	228.6	13.5	22	47.625	117.602	12.700	53.111	157.5
320	340	317.5	26.5	5.5	279.4	17.0	32.5	53.975	133.35	12.700	59.563	232.5
360	340	317.5	26.5	5.5	279.4	17.0	34.5	60.325	149.352	15.875	67.208	253.0

SIMOGEAR Gearboxes

Bevel gearbox with adapter K3

Dimensions**B...29 to B...49 and K...39 to K...79 gearboxes****B..030K3, B.F.030K3, B.Z.030K3, BAD.030K3
K..030K3, K.F.030K3, K.Z.030K3, KAD.030K3**

Adapter	a5	b5	c5	f5	e5	s5	z12	d5/D	E	F	GA	z5
B...29												
56	168	114.3	15	5.0	149.2	11.0	27.5	15.875	47.752	4.763	17.895	201.0
140	168	114.3	15	5.0	149.2	11.0	28.0	22.225	57.150	4.763	24.346	201.0
180	226	215.9	22	5.5	184.1	13.5	42.0	28.575	69.850	6.350	31.394	257.0
B...39												
56	168	114.3	15	5.0	149.2	11.0	27.5	15.875	47.752	4.763	17.895	201.0
140	168	114.3	15	5.0	149.2	11.0	28.0	22.225	57.150	4.763	24.346	201.0
180	226	215.9	22	5.5	184.1	13.5	42.0	28.575	69.850	6.350	31.394	257.0
B...49												
56	168	114.3	15	5.0	149.2	11.0	27.5	15.875	47.752	4.763	17.895	191.5
140	168	114.3	15	5.0	149.2	11.0	28.0	22.225	57.150	4.763	24.346	191.5
180	226	215.9	22	5.5	184.1	13.5	42.0	28.575	69.850	6.350	31.394	247.5
210	226	215.9	22	5.5	184.1	13.5	49.5	34.925	85.850	7.938	38.443	318.0
K...39												
56	168	114.3	15	5.0	149.2	11.0	27.5	15.875	47.752	4.763	17.895	201.0
140	168	114.3	15	5.0	149.2	11.0	28.0	22.225	57.150	4.763	24.346	201.0
180	226	215.9	22	5.5	184.1	13.5	42.0	28.575	69.850	6.350	31.394	257.0
K...49												
56	168	114.3	15	5.0	149.2	11.0	27.5	15.875	47.752	4.763	17.895	191.5
140	168	114.3	15	5.0	149.2	11.0	28.0	22.225	57.150	4.763	24.346	191.5
180	226	215.9	22	5.5	184.1	13.5	42.0	28.575	69.850	6.350	31.394	247.5
210	226	215.9	22	5.5	184.1	13.5	49.5	34.925	85.850	7.938	38.443	318.0
K...69												
56	168	114.3	15	5.0	149.2	11.0	27.5	15.875	47.752	4.763	17.895	191.5
140	168	114.3	15	5.0	149.2	11.0	28.0	22.225	57.150	4.763	24.346	191.5
180	226	215.9	22	5.5	184.1	13.5	42.0	28.575	69.850	6.350	31.394	247.5
210	226	215.9	22	5.5	184.1	13.5	49.5	34.925	85.850	7.938	38.443	318.0
K...79												
56	168	114.3	15	5.0	149.2	11.0	27.5	15.875	47.752	4.763	17.895	191.5
140	168	114.3	15	5.0	149.2	11.0	28.0	22.225	57.150	4.763	24.346	191.5
180	226	215.9	22	5.5	184.1	13.5	42.0	28.575	69.850	6.350	31.394	247.5
210	226	215.9	22	5.5	184.1	13.5	49.5	34.925	85.850	7.938	38.443	318.0

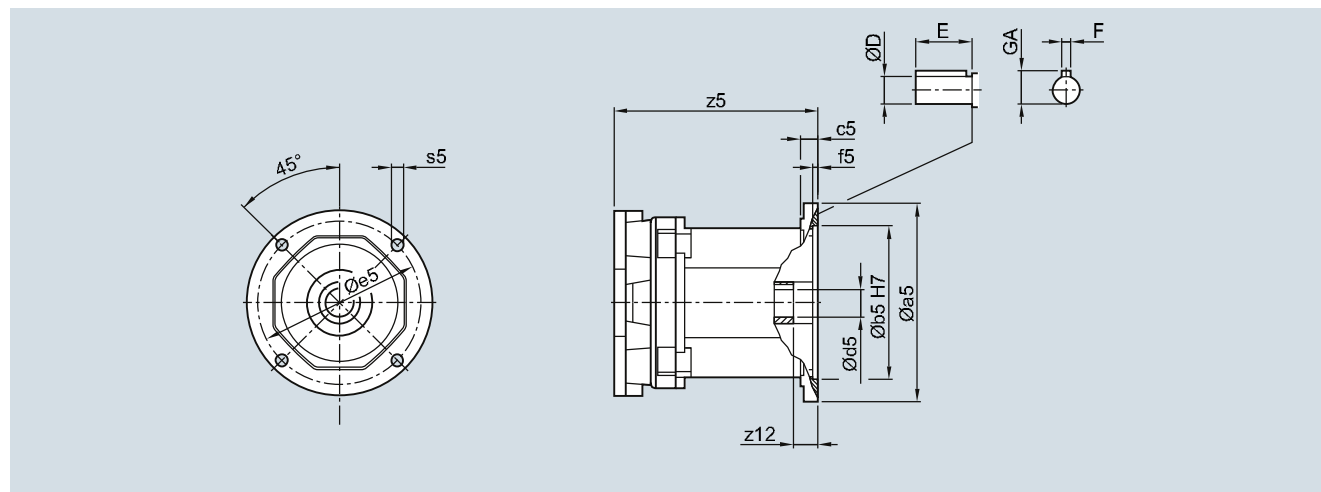
SIMOGEAR Gearboxes

Bevel gearbox with adapter K3

Dimensions

K...89 to K...189 gearboxes

K..030K3, K.F.030K3, K.Z.030K3, KAD.030K3

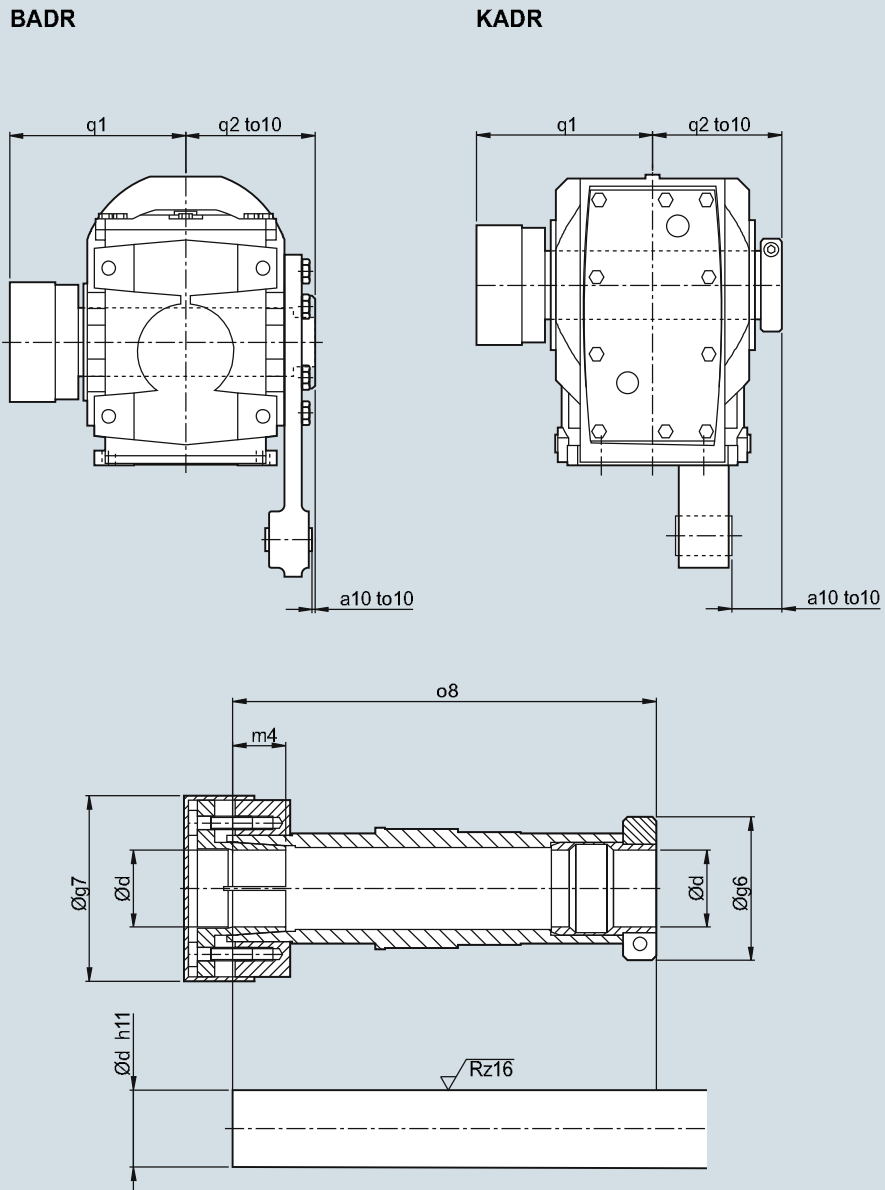


Adapter	a5	b5	c5	f5	e5	s5	z12	d5/D	E	F	GA	z5
K...89												
56	168	114.3	15	5.0	149.2	11.0	27.5	15.875	47.752	4.763	17.895	185.5
140	168	114.3	15	5.0	149.2	11.0	28.0	22.225	57.150	4.763	24.346	185.5
180	226	215.9	22	5.5	184.1	13.5	42.0	28.575	69.850	6.350	31.394	241.5
210	226	215.9	22	5.5	184.1	13.5	49.5	34.925	85.850	7.938	38.443	312.0
250	236	215.9	22	5.5	184.1	13.5	55.5	41.275	101.600	9.525	45.491	342.0
K...109												
140	168	114.3	15	5.0	149.2	11.0	28.0	22.225	57.150	4.763	24.346	172.5
180	226	215.9	22	5.5	184.1	13.5	42.0	28.575	69.850	6.350	31.394	224.5
210	226	215.9	22	5.5	184.1	13.5	49.5	34.925	85.850	7.938	38.443	295.0
250	236	215.9	22	5.5	184.1	13.5	55.5	41.275	101.600	9.525	45.491	325.0
280	285	266.7	24.5	5.5	228.6	13.5	66.5	47.625	117.602	12.7	53.111	343.0
K...129												
140	168	114.3	15	5.0	149.2	11.0	28.0	22.225	57.150	4.763	24.346	165.5
180	226	215.9	22	5.5	184.1	13.5	42.0	28.575	69.850	6.350	31.394	215.5
210	226	215.9	22	5.5	184.1	13.5	49.5	34.925	85.850	7.938	38.443	286.0
250	236	215.9	22	5.5	184.1	13.5	55.5	41.275	101.600	9.525	45.491	316.0
280	285	266.7	24.5	5.5	228.6	13.5	66.5	47.625	117.602	12.7	53.111	334.0
320	340	317.5	26.5	5.5	279.4	17	76.5	53.975	133.35	12.7	59.563	411.5
K...149												
140	168	114.3	15	5.0	149.2	11.0	28.0	22.225	57.150	4.763	24.346	158.5
180	226	215.9	22	5.5	184.1	13.5	42.0	28.575	69.850	6.350	31.394	206.5
210	226	215.9	22	5.5	184.1	13.5	49.5	34.925	85.850	7.938	38.443	275.0
250	236	215.9	22	5.5	184.1	13.5	55.5	41.275	101.600	9.525	45.491	305.0
280	285	266.7	24.5	5.5	228.6	13.5	66.5	47.625	117.602	12.7	53.111	323.0
320	340	317.5	26.5	5.5	279.4	17	76.5	53.975	133.35	12.7	59.563	406.5
360	340	317.5	26.5	5.5	279.4	17	83.5	60.325	149.352	15.875	67.21	454.0
K...169												
180	226	215.9	22	5.5	184.1	13.5	42.0	28.575	69.850	6.350	31.394	205.0
210	226	215.9	22	5.5	184.1	13.5	49.5	34.925	85.850	7.938	38.443	268.5
250	236	215.9	22	5.5	184.1	13.5	55.5	41.275	101.600	9.525	45.491	298.5
280	285	266.7	24.5	5.5	228.6	13.5	66.5	47.625	117.602	12.7	53.111	316.5
320	340	317.5	26.5	5.5	279.4	17	76.5	53.975	133.35	12.7	59.563	394.0
360	340	317.5	26.5	5.5	279.4	17	83.5	60.325	149.352	15.875	67.21	447.5
K...189												
210	226	215.9	22	5.5	184.1	13.5	49.5	34.925	85.850	7.938	38.443	255.5
250	236	215.9	22	5.5	184.1	13.5	55.5	41.275	101.600	9.525	45.491	285.5
280	285	266.7	24.5	5.5	228.6	13.5	66.5	47.625	117.602	12.7	53.111	303.5
320	340	317.5	26.5	5.5	279.4	17	76.5	53.975	133.35	12.7	59.563	379.5
360	340	317.5	26.5	5.5	279.4	17	83.5	60.325	149.352	15.875	67.21	429.5

SIMOGEAR Gearboxes
Bevel gearboxes

Dimensions

SIMOLOC assembly system



Note mounting tolerance to 10 when positioning the torque arm.

SIMOLOC assembly system (continued)

d	g6	g7	m4	o8	q1	q2	a10	to10
BADR29								
20	58.5	56	18.5	151	102	75	11	+2.1
1"								+0.6
0.75"								
BADR39								
30	62.0	76	22	180.5	116	85	2.5	+2.2
25								+0.7
1.25"								
1.1875"								
1"								
BADR49								
35	65.0	84	24	210.0	134	100	-2.5	+2.6
30								+0.8
1.375"								
1.4375"								
1.25"								
1.1875"								
40	79.5	94	30	220	140	104	1.5	
1.625"								
KADR39								
30	62.0	76	22	160.5	106	75	39	+2.2
25								+0.7
1.25"								
1.1875"								
1"								
KADR49								
35	65.0	84	24	192.0	124	90	35	+2.6
30								+0.8
1.375"								
1.4375"								
1.25"								
1.1875"								
KADR69								
40	79.5	94	30	217.5	138	102	39	+2.5
35								+0.7
1.5"								
1.625"								
1.4375"								
1.375"								
KADR79								
40	79.5	94	30	232.0	150	109	46	+3.2
35								+1.4
1.5"								
1.625"								
1.4375"								
1.375"								
KADR89								
50	89.0	114	32	264.0	171	124	45	+3.4
40								+1.5
2"								
1.9375"								
1.75"								
1.625"								

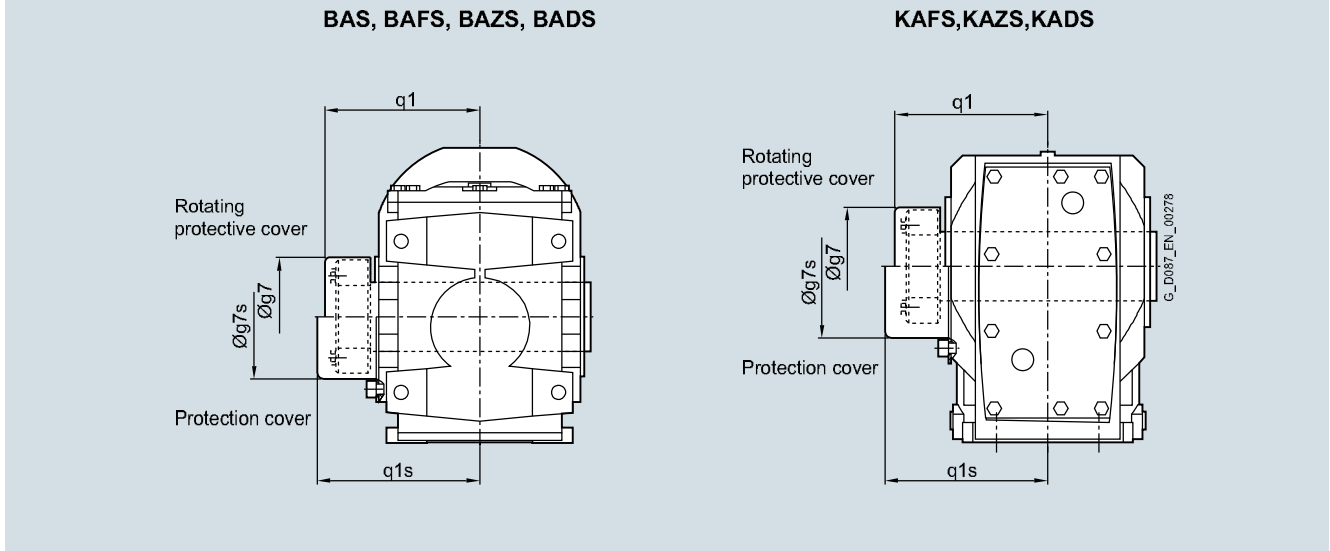
SIMOGEAR Gearboxes

Bevel gearboxes

Dimensions

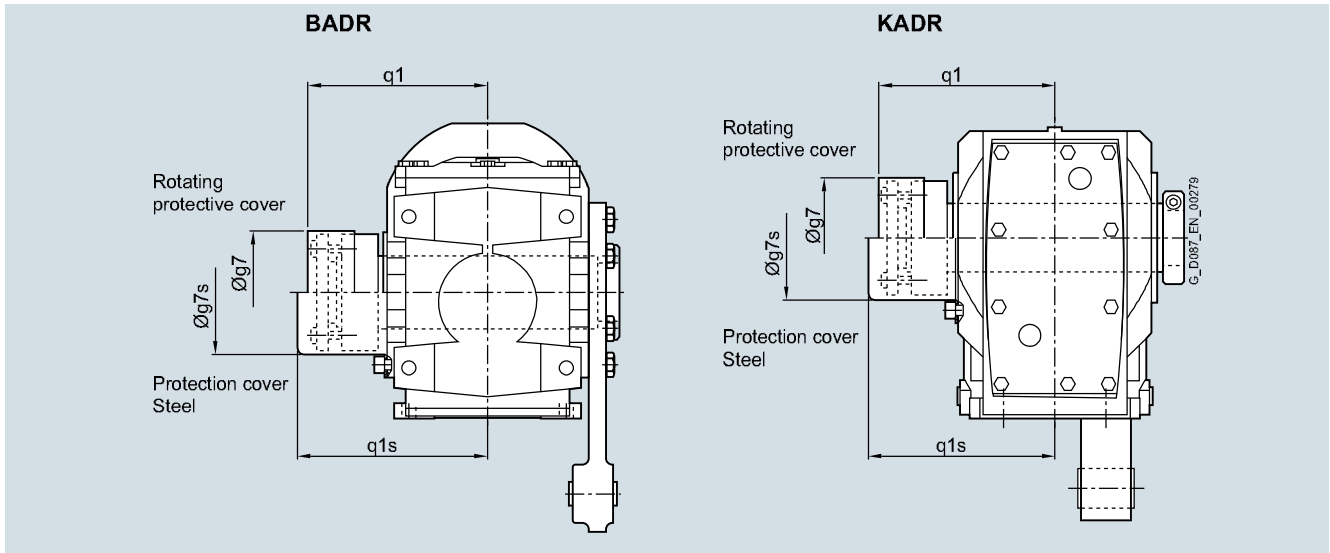
Protection cover for hollow shaft

Protection cover for hollow shaft and hollow shaft with shrink disk



Gearbox type	BA..29	BA..39	BA..49	KA..39	KA..49	KA..69	KA..79	KA..89	KA..109	KA..129	KA..149	KA..169	KA..189
Rotating protective cover with shrink disk version													
g7	55	84	84	76.0	84	84	94.0	119.0	142.0	159.0	201.0	234.0	267.0
q1	85	102	117	89.5	107	115	125.5	142.5	162.5	198.5	233.5	291.0	343.5
Protection cover													
g7s	58	86	86	82.5	86	99	99.0	137.0	186.8	186.8	217.0	257.5	309.5
q1s	91	119	134	109.0	122	126	132.5	176.5	195.0	225.0	243.0	313.0	371.5

Protection cover for hollow shaft with SIMOLOC assembly system

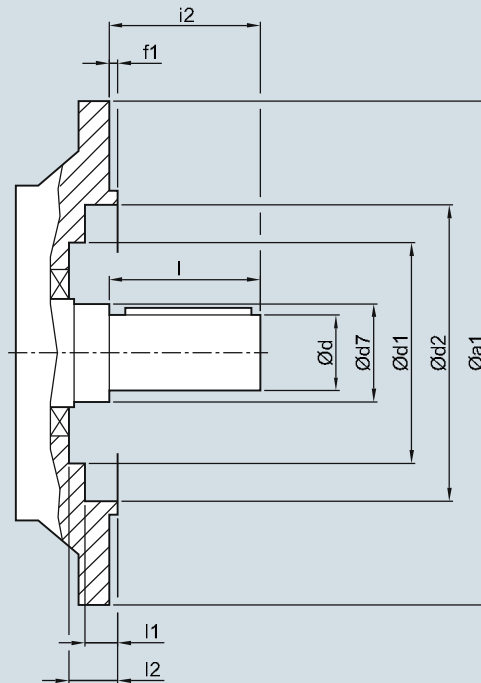


Gearbox type	BADR29	BADR39	BADR49	KADR39	KADR49	KADR69	KADR79	KADR89
Rotating protective cover								
g7	56	76	84 (94)	76	84	94	94	114
q1	102	116	134 (140)	106	124	138	150	171
Protection cover								
g7s	58	82.5	86 (99)	82.5	86	99	99	137
q1s	105	119.0	137 (143)	109	127	141	153	174

() Dimension in brackets for hollow shaft d=40 and d=1.625"

Inner contour of the flange design

Notes regarding the design of the customer's interface.

BF, KF


Gearbox type	a1	d	d7	d1	d2	f1	i2	l	l1	l2
BF19	120	20	30	60	68	3.0	40	40	23.5	29.5
BF29	120	20	40	-	70	3.0	40	40	24.0	-
	160	20	40	70	101	3.5	40	40	8.5	24.5
BF39	160	30	55	93	100	3.5	60	60	11.0	31.5
	200	30	55	93	119	3.5	60	60	16.0	31.5
BF49	200	35	55	93	119	3.5	70	70	16.0	31.5
KF39	160	25	30	-	100	3.5	50	50	5.0	-
KF49	200	30	35	-	118	3.5	60	60	5.5	-
KF69	250	35	45	-	165	4.0	70	70	6.5	-
KF79	250	40	55	-	165	4.0	80	80	6.5	-
KF89	300	50	55	-	165	4.0	100	100	8.0	-
KF109	350	60	65	-	235	5.0	120	120	9.0	-
KF129	450	70	75	-	336	5.0	140	140	9.0	-
KF149	450	90	100	-	336	5.0	170	170	10.0	-
KF169	550	110	120	-	427	5.0	210	210	10.0	-
KF189	660	120	160	-	517	6.0	210	210	11.0	-

SIMOGEAR Gearboxes

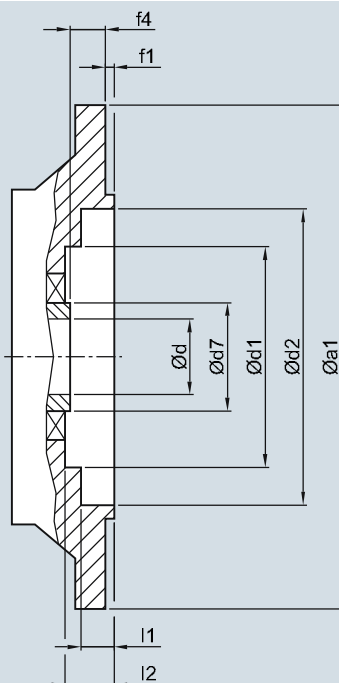
Bevel gearboxes

Dimensions

Inner contour of the flange design (continued)

Notes regarding the design of the customer's interface, e.g. plug-in shaft for hollow shaft design

BAF., KAF.



Gearbox type	a1	d	d7	d1	d2	f1	f4	l1	l2
BAF.19	120	20	30	60	68	3.0	30.0	23.5	29.5
BAF.29	120	20/	40	-	70	3.0	20.0	24.0	-
		25							
BAF.29	160	20/	40	70	101	3.5	20.0	8.5	24.5
		25							
BAF.39	160	30	55	93	100	3.5	27.0	11.0	31.5
		35							
		40							
BAF.39	200	30	55	93	119	3.5	27.0	16.0	31.5
		35							
		40							
BAF.49	200	35	55	93	119	3.5	27.0	16.0	31.5
		40							
KAF.39	160	30	45	80	102	3.5	24.0	2.0	29.5
KAF.49	200	35	50	90	120	3.5	25.0	4.0	30.5
KAF.69	250	40	55	104	165	4.0	23.5	2.0	29.5
KAF.79	250	40	55	104	165	4.0	23.0	2.0	29.5
KAF.89	300	50	70	135	215	4.0	37.0	2.0	44.5
KAF.109	350	60	85	184	210	5.0	36.0	13.0	45.0
KAF.129	450	70	95	184	336	5.0	41.5	16.5	48.5
KAF.149	450	90	120	214	219	5.0	41.0	40.0	50.0
KAF.169	550	100	140	254	426	5.0	56.0	14.5	56.0
KAF.189	660	120	160	306	518	6.0	66.0	6.0	62.0

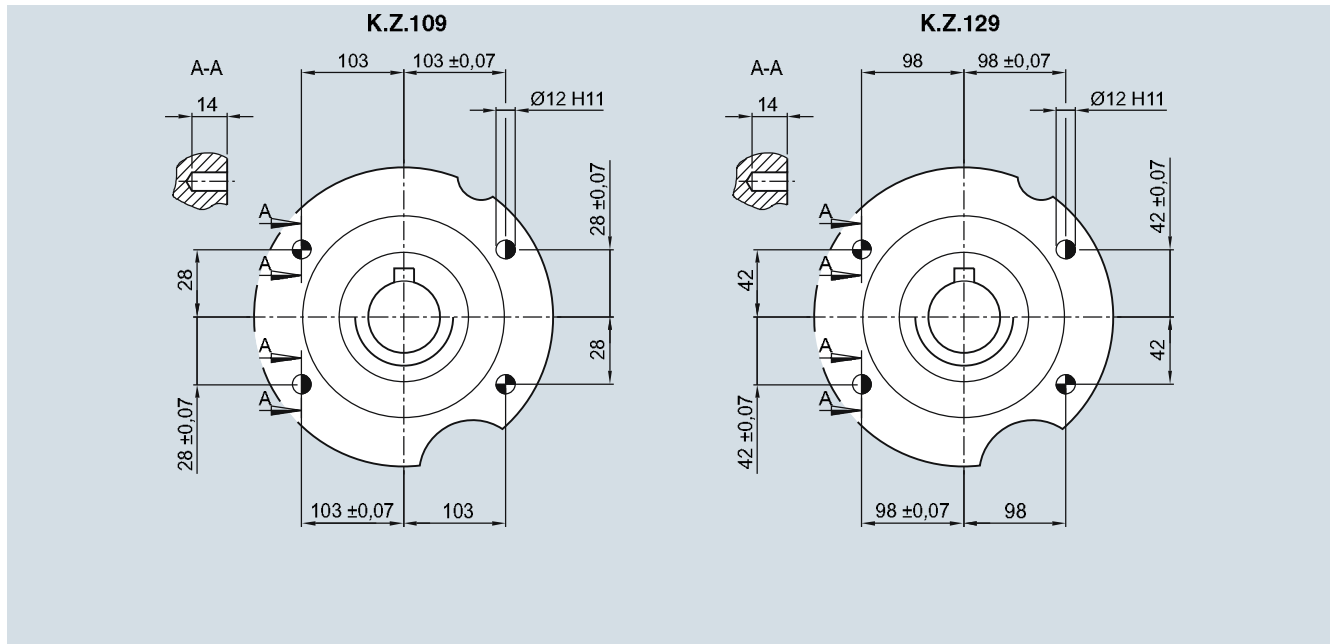
Pin holes

In the case of gearboxes K.Z.109 and K.Z.129, the customer's interface can be pinned on the housing flange (C type).

The output flanges have been designed to ensure the reliable transmission of the permissible torques and radial forces by the bolt connections.

If additional fastening is required, in the case of high shock loads, for example, the existing drilled pin holes can be used.

The gearboxes can also be drilled and pinned together with the machine. The listed dimensions must be complied with.



- Spring pins, heavy-duty design, to DIN 1481: Use pin holes provided in the housing flange.
- Grooved cylindrical pins with chamfer to EN 28740/ISO 8740: Drill connecting component together with housing.

SIMOGEAR Gearboxes

Notes